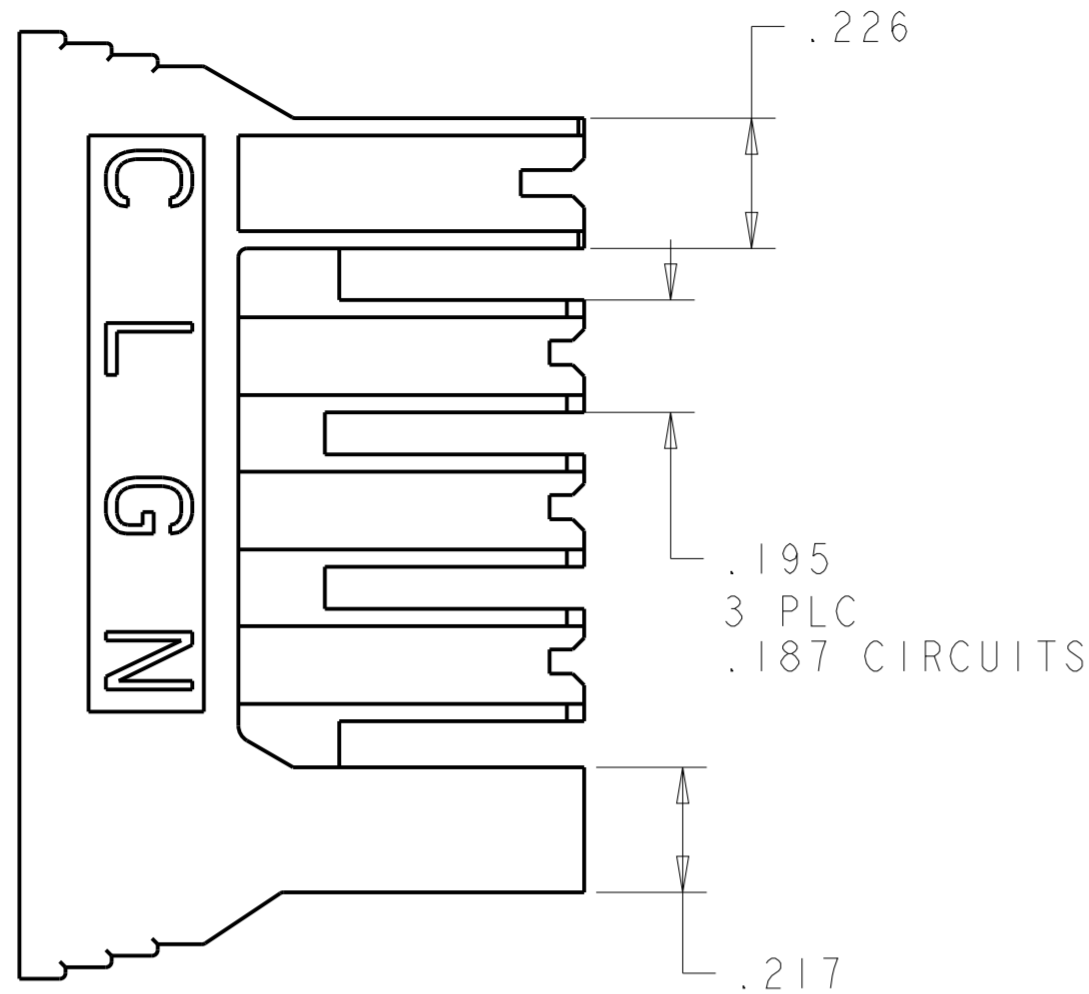
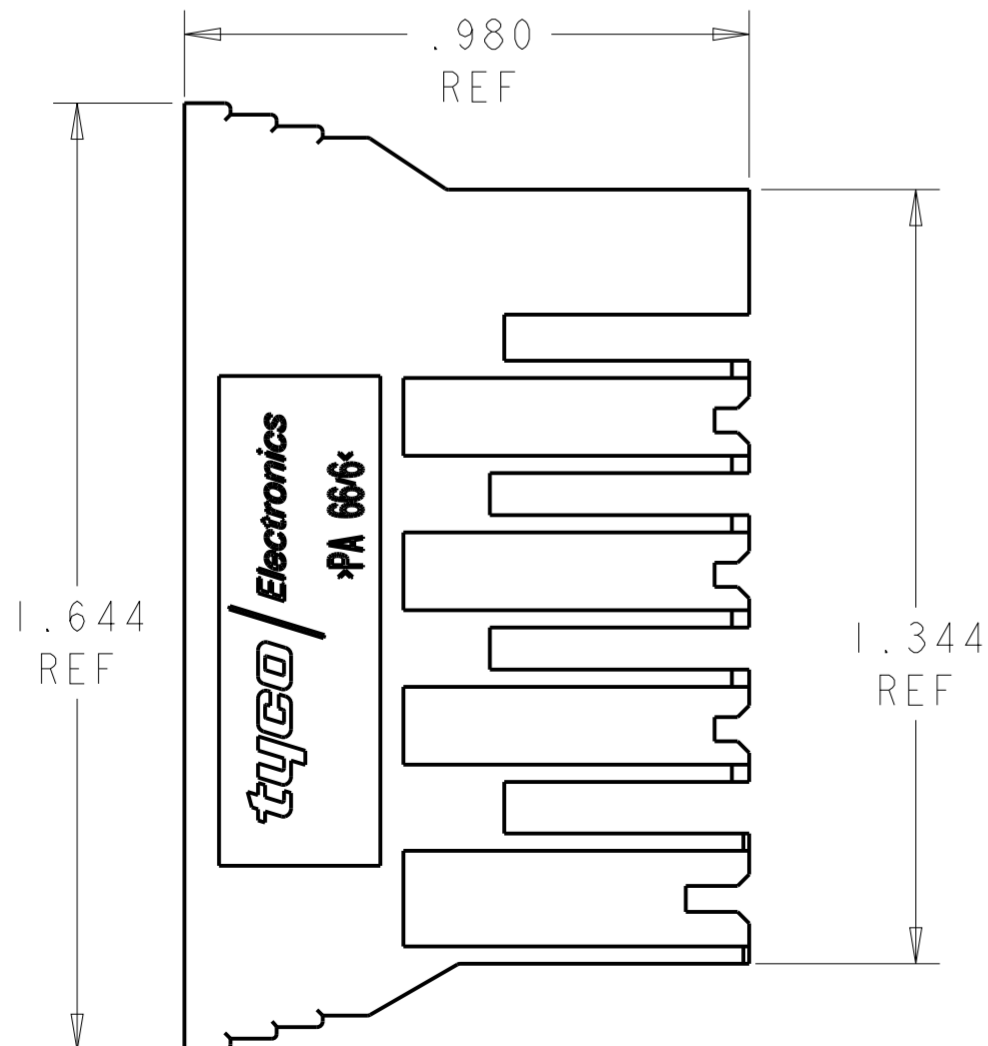
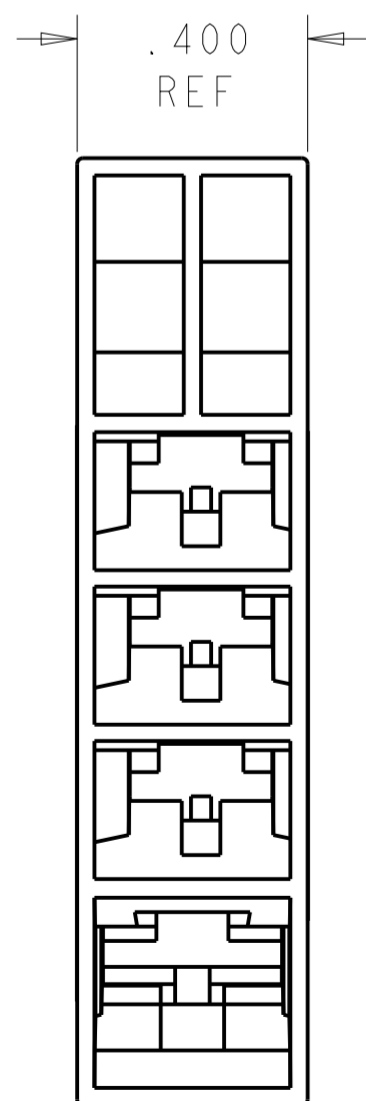
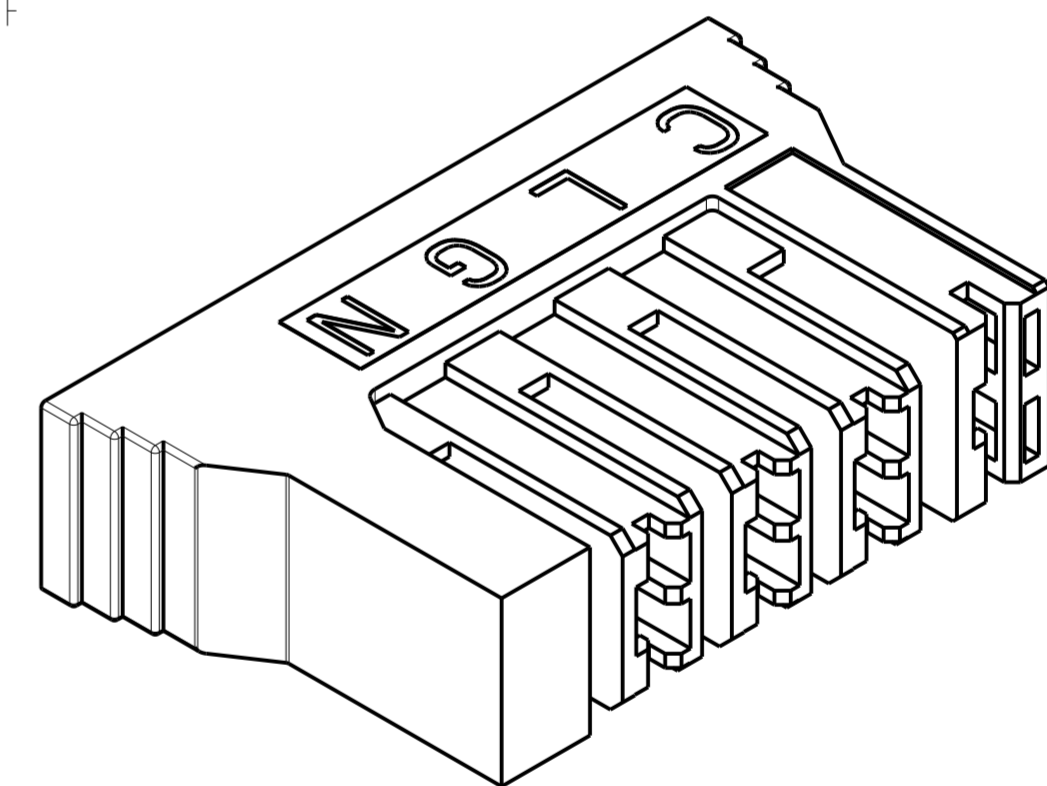
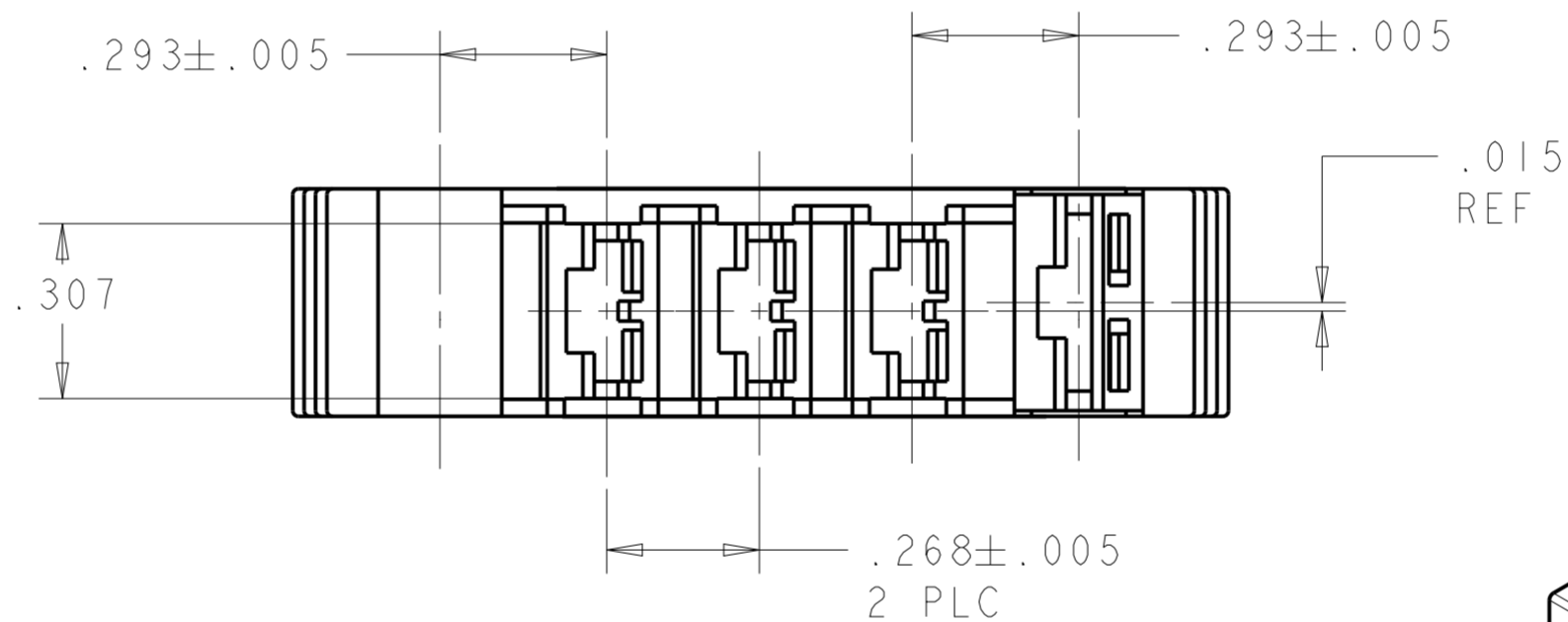
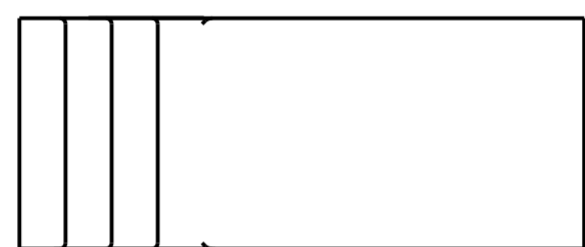


| P | LTR | DESCRIPTION               | DATE      | DWN | APVD |
|---|-----|---------------------------|-----------|-----|------|
| D | I   | REVISED PER ECR-06-007577 | 03APR2006 | MF  | EH   |
| E |     | REVISED PER ECR-07-018671 | 08AUG2007 | HMR | EH   |
| E | I   | REVISED PER ECR-19-020041 | 09JAN2020 | PC  | LJB  |
| F |     | REVISED PER ECR-21-100620 | 29MAR2021 | BDA | AF   |



1. CIRCUIT "C" ACCEPTS:  
 .250 MKIII POSITIVE LOCK RECEPTACLES 63933-X, 63854-X, & 1217092-X

CIRCUITS L,G,&N ACCEPTS:  
 .187 MKIII POSITIVE LOCK RECEPTACLES 1217113-X, & 1217114-X



|         |                |             |
|---------|----------------|-------------|
| NATURAL | NYLON 66/6, V0 | 521781-1    |
| COLOR   | MATERIAL       | PART NUMBER |

|  |  |                              |              |  |                        |
|--|--|------------------------------|--------------|--|------------------------|
| THIS DRAWING IS A CONTROLLED DOCUMENT. |  | DWN<br>R FLAIG<br>19JAN2005  |              | NAME<br>HOUSING, RECEPTACLE<br>POSITIVE LOCK, 4 POSITION |                        |
| DIMENSIONS:<br>INCHES                  |  | CHK<br>G PORTA<br>19JAN2005  |              | PRODUCT SPEC   |                        |
|  |  | APVD<br>G PORTA<br>19JAN2005 |              | APPLICATION SPEC   |                        |
| MATERIAL<br>SEE TABLE                  | TOLERANCES UNLESS<br>OTHERWISE SPECIFIED:<br>0 PLC ±<br>1 PLC ±<br>2 PLC ±<br>3 PLC ±.010<br>4 PLC ±<br>ANGLES ±2°<br>FINISH SEE TABLE | WEIGHT<br>-                  | SIZE<br>A2   | CAGE CODE<br>00779                                       | DRAWING NO<br>C-521781 |
| CUSTOMER DRAWING                       |  |                              | SCALE<br>3:1 | SHEET<br>OF  | REV<br>F               |