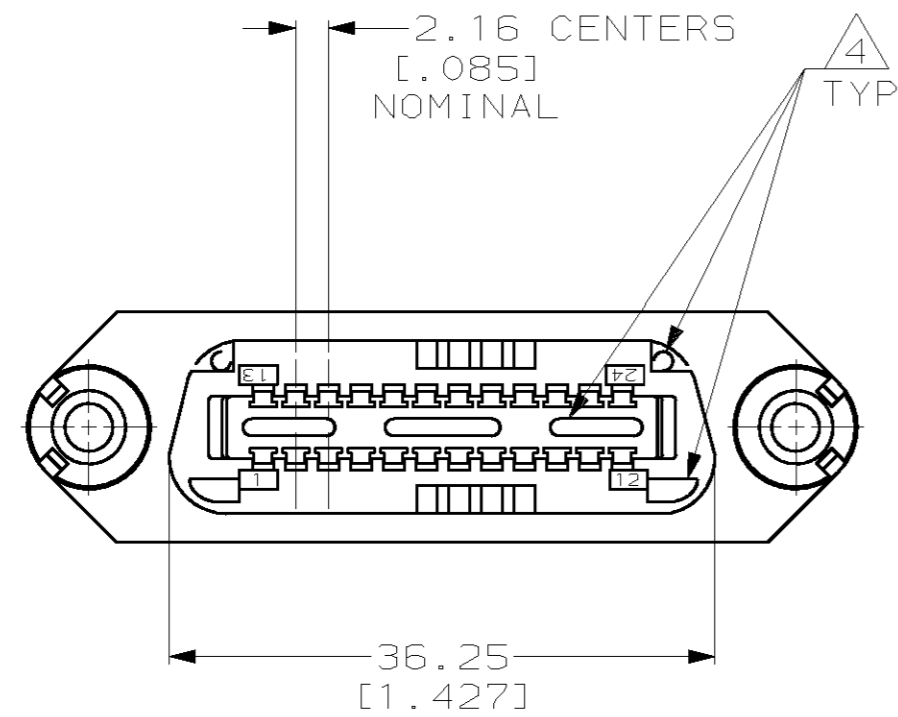
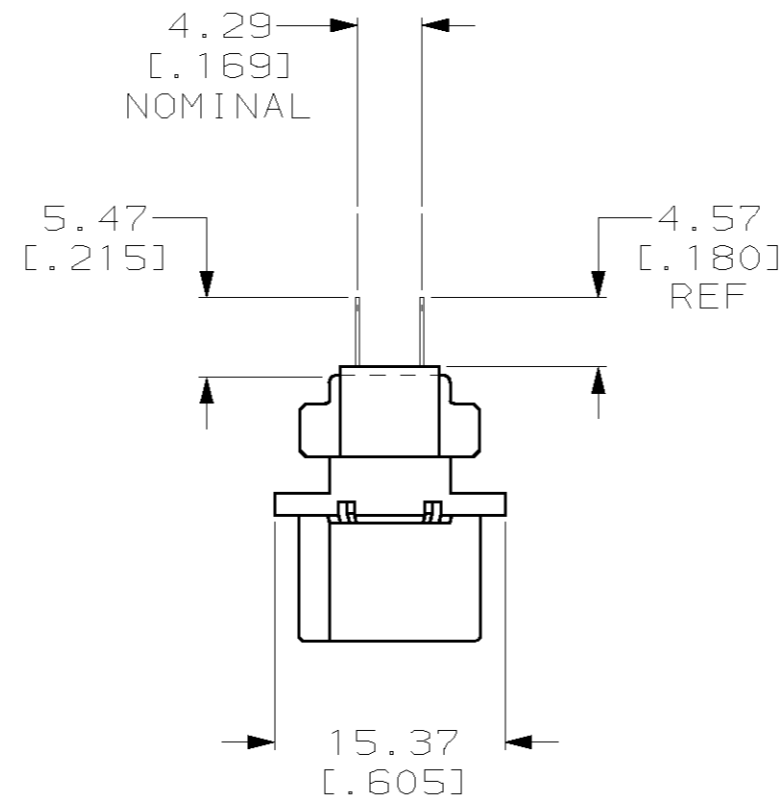
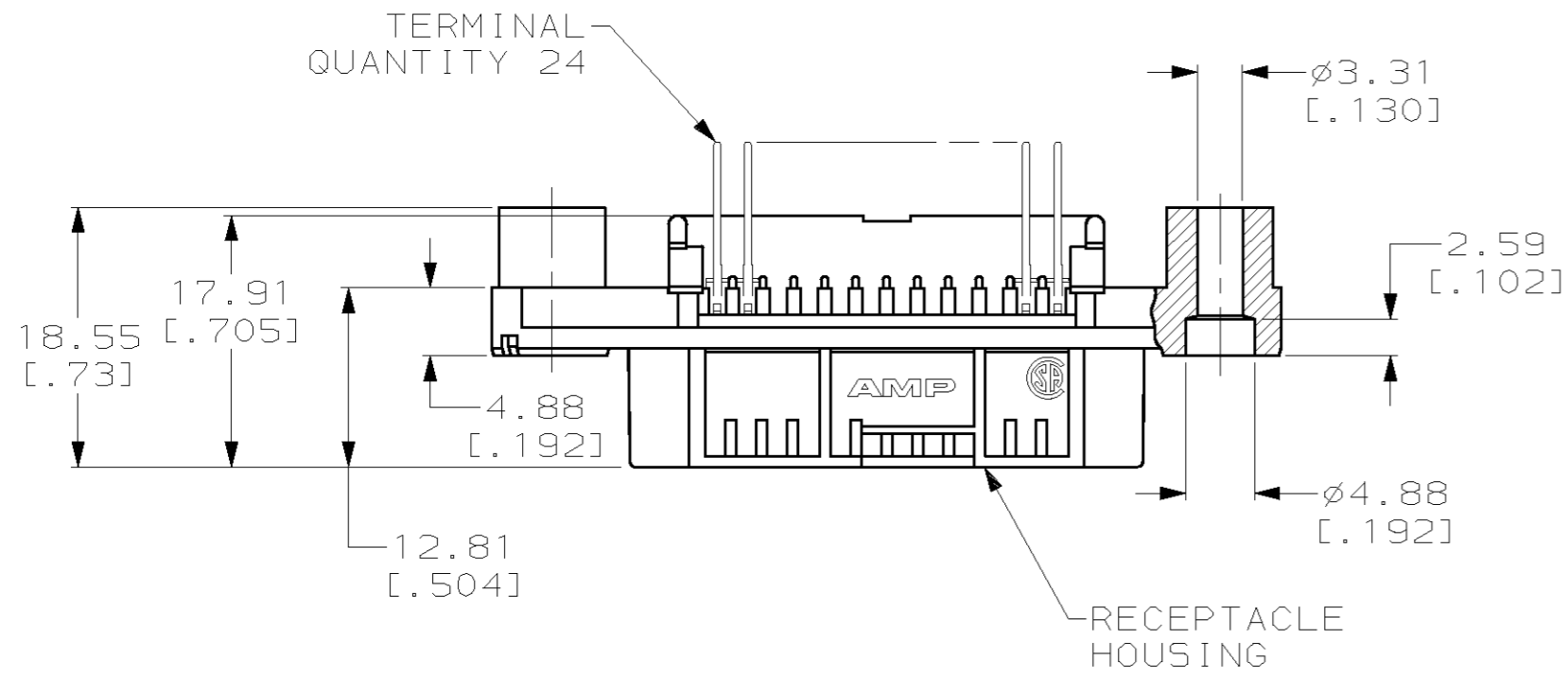
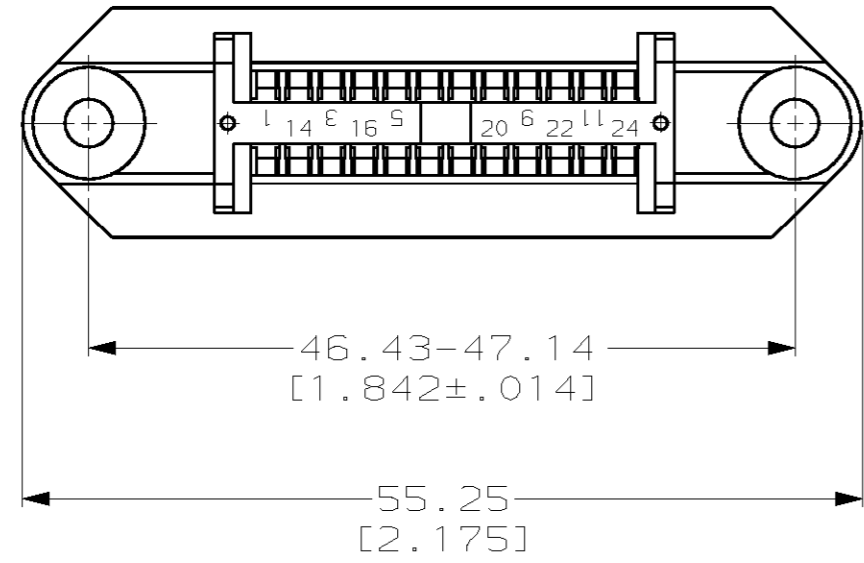


THIS DRAWING IS UNPUBLISHED. RELEASED FOR PUBLICATION .19  
 BY AMP INCORPORATED. ALL RIGHTS RESERVED.

LOC	DIST	REVISIONS			
P	LTR	DESCRIPTION	DATE	DWN	APVD
AA	20	H	REVISED; EC 001C-0072-01	11MAY01	DLD EWB



- 1. DIMENSIONS ARE MAXIMUM UNLESS OTHERWISE SPECIFIED.
- 2. THE CONTACT SURFACES OF THE TERMINALS ARE COATED WITH LUBRICANT.
- 3. MATERIAL: HOUSING - THERMOPLASTIC, BLACK. TERMINALS - PHOSPHOR BRONZE PLATED WITH 0.76µm [.000030] MINIMUM GOLD ON MATING SURFACE AND 3.05µm [.000120] MINIMUM MATTE TIN-LEAD ON TAILS OVER 1.27µm [.000050] MINIMUM NICKEL UNDERPLATE OVER ENTIRE TERMINAL.
- 4. THIS FEATURE IS A CORED AREA AND IS OPTIONAL ON PART.

552224

552224-1  
PART NUMBER

THIS DRAWING IS A CONTROLLED DOCUMENT.		DWN B. SIMPSON 28JUL94	AMP TYCO Electronics Harrisburg, PA 17105-3608																		
DIMENSIONS: [mm] INCHES		CHK C. WHITT 26OCT94	NAME R. FLAHERTY																		
TOLERANCES UNLESS OTHERWISE SPECIFIED:		APVD R. FLAHERTY 02NOV94	PRODUCT SPEC																		
<table border="0"> <tr><td>0 PLC</td><td>±-</td><td></td></tr> <tr><td>1 PLC</td><td>±-</td><td></td></tr> <tr><td>2 PLC</td><td>±-</td><td>△</td></tr> <tr><td>3 PLC</td><td>±-</td><td></td></tr> <tr><td>4 PLC</td><td>±-</td><td></td></tr> <tr><td>ANGLES</td><td>±-</td><td></td></tr> </table>		0 PLC	±-		1 PLC	±-		2 PLC	±-	△	3 PLC	±-		4 PLC	±-		ANGLES	±-		APPLICATION SPEC	
0 PLC	±-																				
1 PLC	±-																				
2 PLC	±-	△																			
3 PLC	±-																				
4 PLC	±-																				
ANGLES	±-																				
MATERIAL		WEIGHT	SIZE	CAGE CODE																	
△		-	A2	00779																	
FINISH		DRAWING NO		RESTRICTED TO																	
△		C- 552224		-																	
CUSTOMER DRAWING		SCALE	SHEET	REV																	
		2:1	1 OF 1	H																	