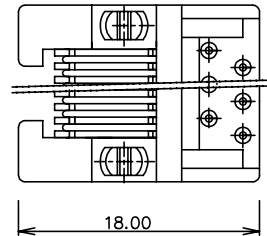
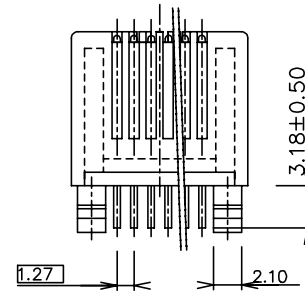
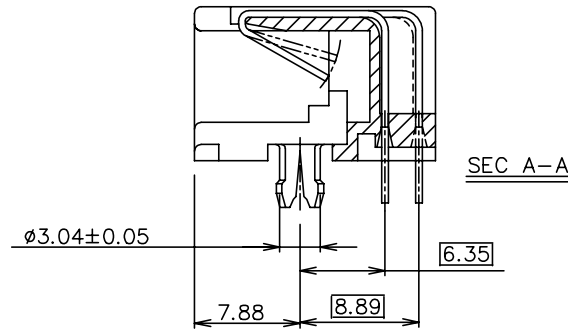
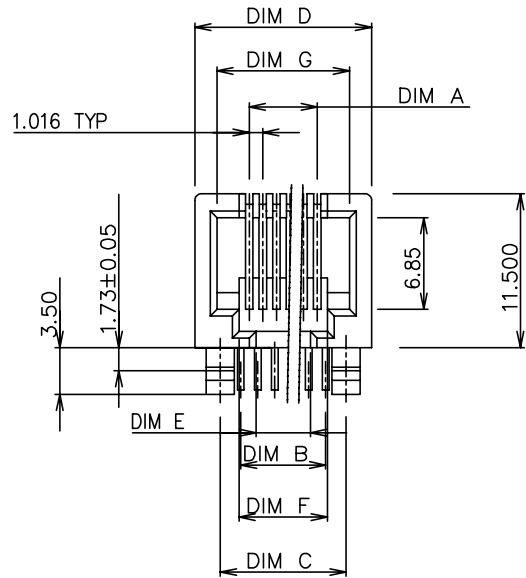
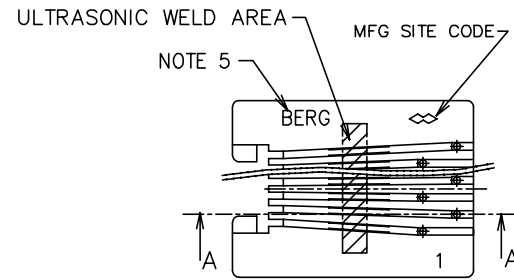


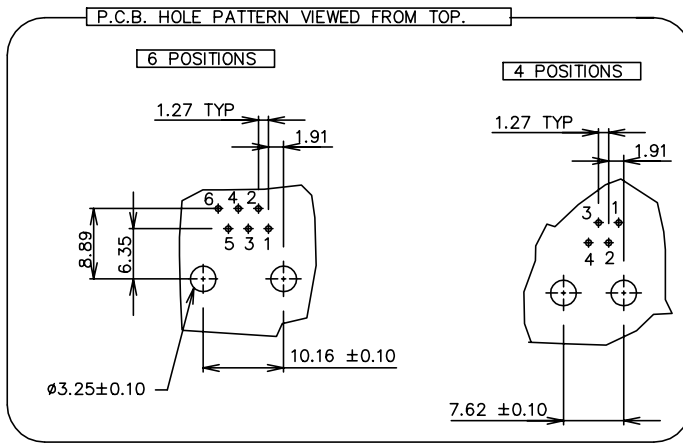
PRODUCT NO.
93067-XXX



mat'l. code		surface ISO1302 ✓		tolerance ISO1101 ISO406		projection 		product family MOD JACK	
ltr ecn nodr		date		tolerances unless otherwise specified		mm		title	
A	T30105			angle	0.X±0.3			LOW PROFILE PCB III HORZ	
B	T40242	CL	10/11/94	0°±2'	0.XX±0.15			MOD JACK.FOR 1.6MM P.C.B.	
C	T03-0443	WL	10/08/03		0.XXX±0.05	scale 2.0			
D	N05-0030	YS	02/05/05	dr	KCHOU	04/22/93	dwg no		sheet 1 of 2
E	ELX-N-010988	SH	MMW	03/14/12	engr	TONY CHIEN	04/22/93	size	
					chr	TONY CHIEN	04/22/93	A4	
					appd	JENN TSAO	04/22/93	type Product Customer Drawing	
sheet index	revision	E	E						
	sheet	1	2						

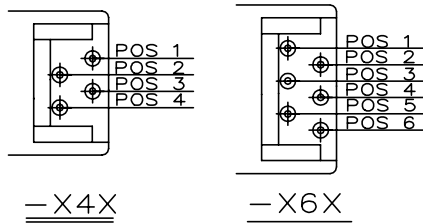
PRODUCT NO.
93067-xxx

PRODUCT NUMBER	NUMBER OF POS.	DIM A	DIM B	DIM C	DIM D	DIM E	DIM F	DIM G	LOA DED POSITION	PLATING
93067-066 93067-066LF	6	5.08	6.35	10.16	13.20	4.06	6.60	9.90	ALL POS.	5u" Au + high performance lubricant



NOTES:

- RECOMMENDED P.C.B THICKNESS 1.60 MM
- HOUSING MAT'L: NYLON 6/6, 25% GLASS REINFORCED, UL94-V0, COLOR-BLACK.
- CONTACTS: PHOS BRONZE ALLOY UNS-C51000, 0.460DIA. ROUND WIRE. PLATING SEE TABLE.
- STANDARD PACKAGING METHOD(USE TUBE): SEE GES-14-361.
- COMPANY LOGO CAN BE "BERG" OR "DU PONT", AND WOULD APPEAR IN THE SAME SHIPMENT UNLESS LOGO SPEC HEREIN IS UPDATED.
- COMPANY LOGO CAN BE "BERG" OR "DU PONT", AND WOULD
- THE PRODUCT MEETS EUROPEAN UNION DIRECTIVES AND OTHER COUNTRY REGULATIONS AS DESCRIBED IN GS-22-008
- THE HOUSING WILL WITHSTAND EXPOSURE TO 260° PEAK TEMPERATURE FOR 10 SECONDS IN A WAVE SOLDER APPLICATION WITH A 1.60mm MINIMUM THICK CIRCUIT BOARD
- IF LF P/N PACKAGING MEETS GS-14-920 SPECIFICATION



WIRE POSITION No

mat'l. code	surface ISO1302 ✓	tolerance ISO1101 ISO406	projection mm	product family MOD JACK
ltr ecn nodr date	tolerances unless otherwise specified		scale 2.0	title LOW PROFILE PCB III HORZ MOD JACK.FOR 1.6MM P.C.B.
E	angle	0.X±0.3 0.XX±0.15 0.XXX±0.05	mm	dwg no 93067 sheet 2 of 2 size A4
	dr	KCHOU 04/22/93		type Product Customer Drawing
	engr	TONY CHIEN 04/22/93		
	chr	TONY CHIEN 04/22/93		
	appd	JENN TSAO 04/22/93		
sheet index	revision sheet			