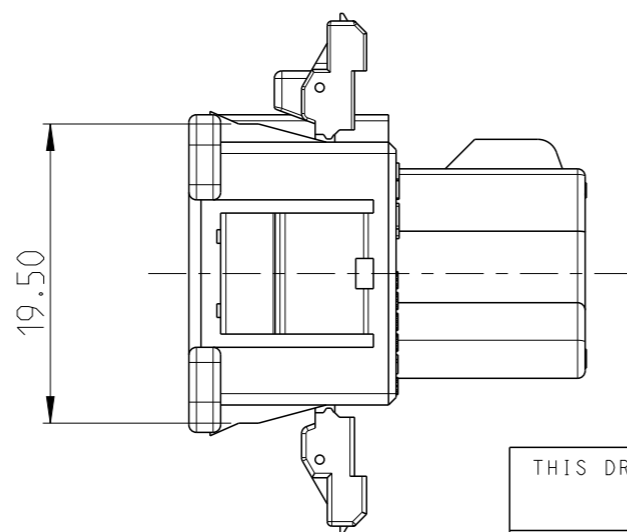
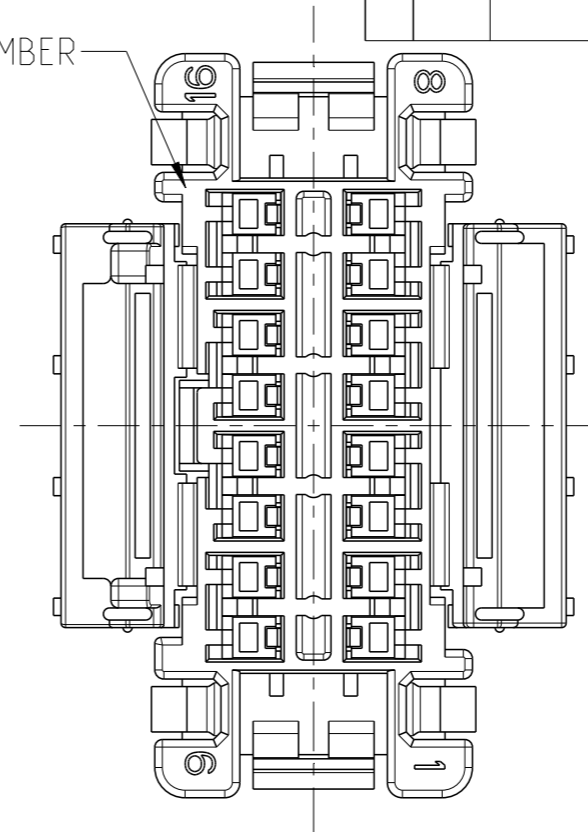
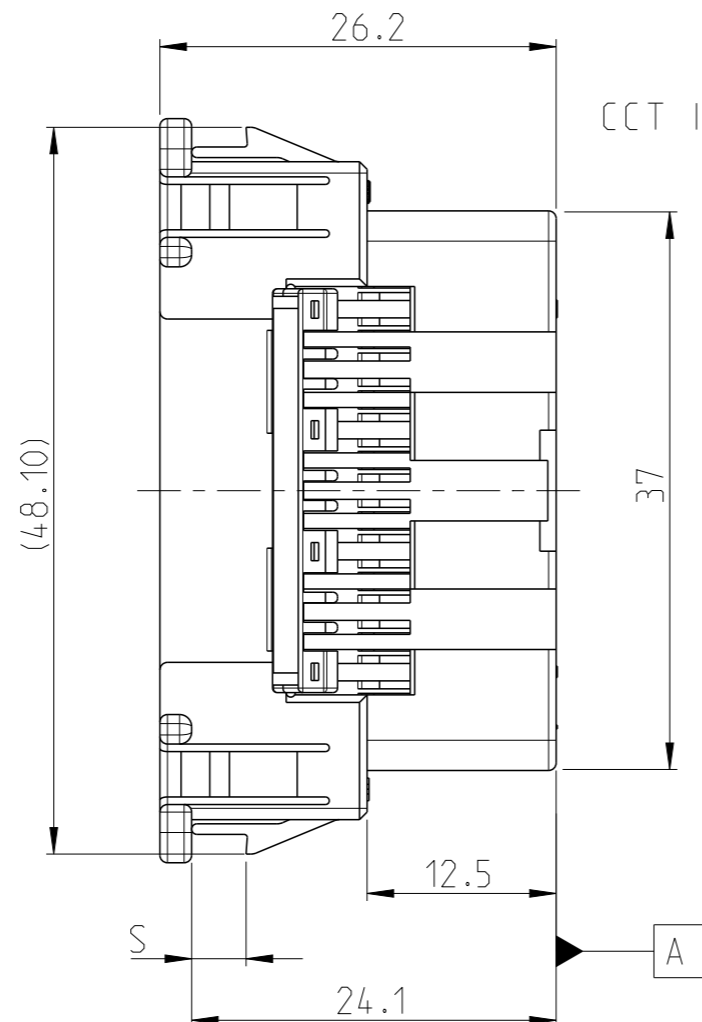
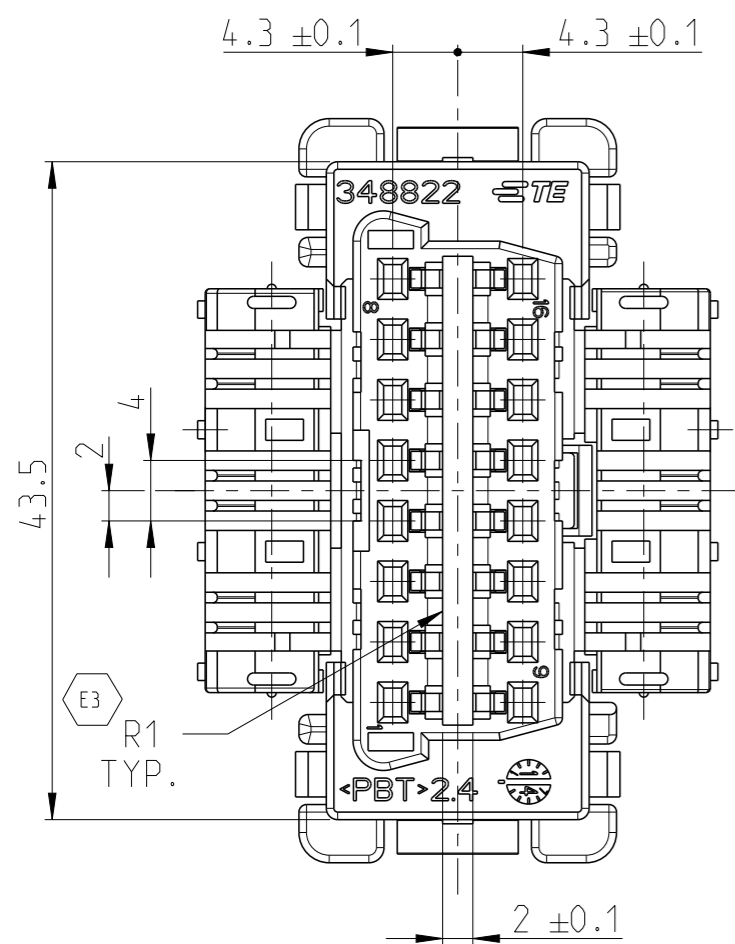


P	LTR	DESCRIPTION	DATE	DWN	APVD
	E2	REDRAWN TO CREO	17NOV2017	SCK	MN
	E3	CORRECTED DIMENSION FROM R0.1 TO R1	19NOV2019	SCK	MN



1. APPLICABLE RECPT. P/N 776001

1.8	1.2±0.05	GREY	PBT	348822-6
3.6	3.0±0.13	GREY	PBT	348822-3
3.6	3.0±0.13	BLACK	PBT	348822-2
"S"±0.3	PANEL THICKNESS	COLOR	MATERIAL	PART NUMBER

THIS DRAWING IS A CONTROLLED DOCUMENT.

DIMENSIONS:	TOLERANCES UNLESS OTHERWISE SPECIFIED:
mm	
	0 PLC ±
	1 PLC ±
	2 PLC ± ±0.5
	3 PLC ±
	4 PLC ±
	ANGLES ±1°
MATERIAL	FINISH
-	-

DWN	M. MISTRY	22DEC1994
CHK	P. GAULTON	-
APVD	M. MISTRY	-
PRODUCT SPEC	-	-
APPLICATION SPEC	-	-
WEIGHT	-	-

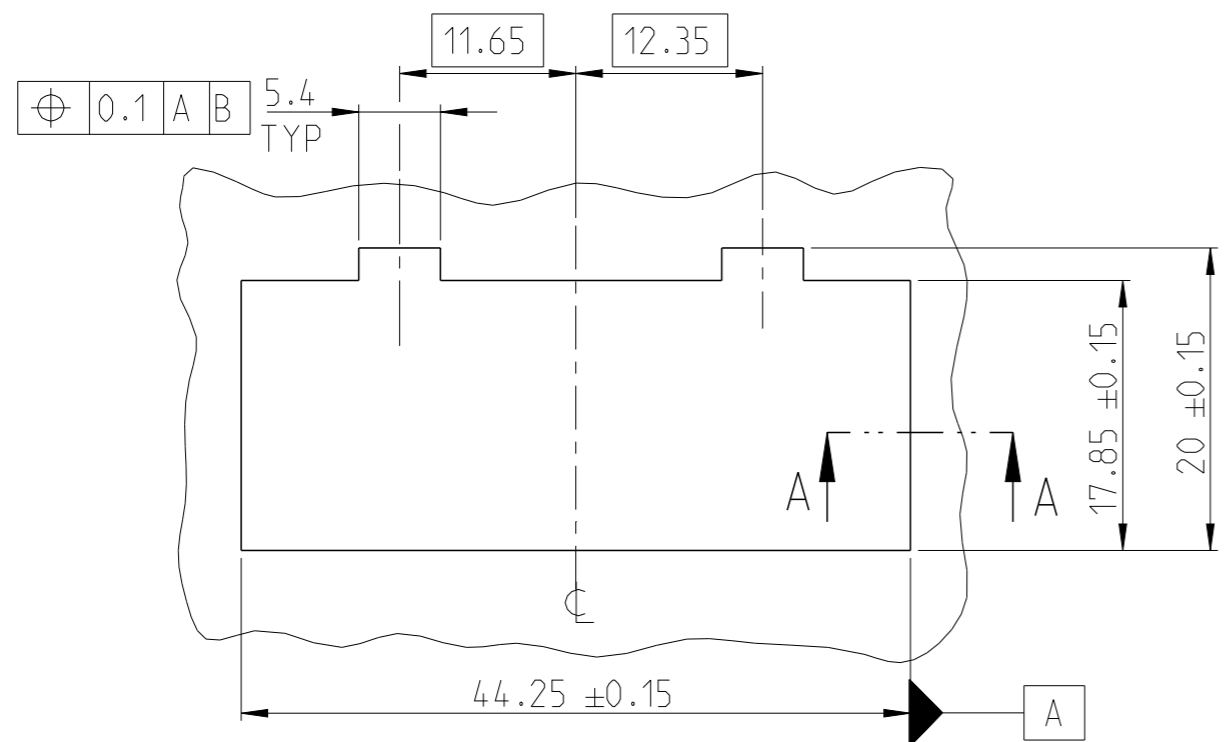
STE TE Connectivity

DIAGNOSTIC CONNECTOR
16 POSN PLUG HOUSING

SIZE	CAGE CODE	DRAWING NO	RESTRICTED TO
A3	00779	348822	

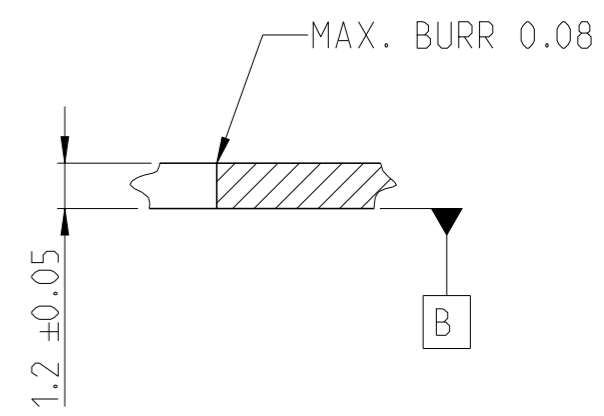
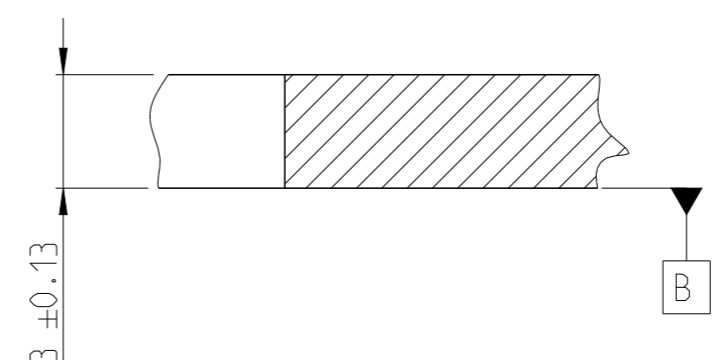
CUSTOMER DRAWING SCALE 2:1 SHEET 1 OF 2 REV E3

REVISIONS					
P	LTR	DESCRIPTION	DATE	DWN	APVD
		SEE SHEET 1			

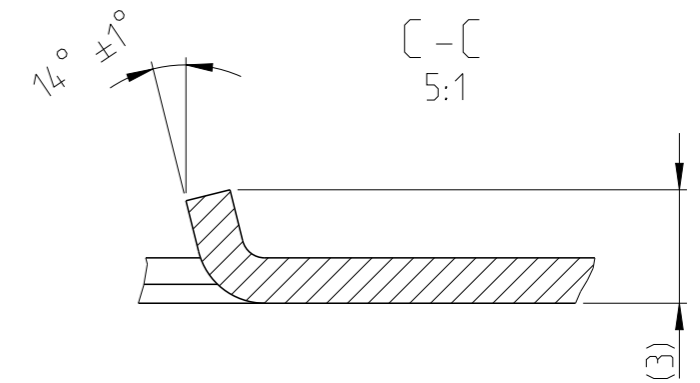
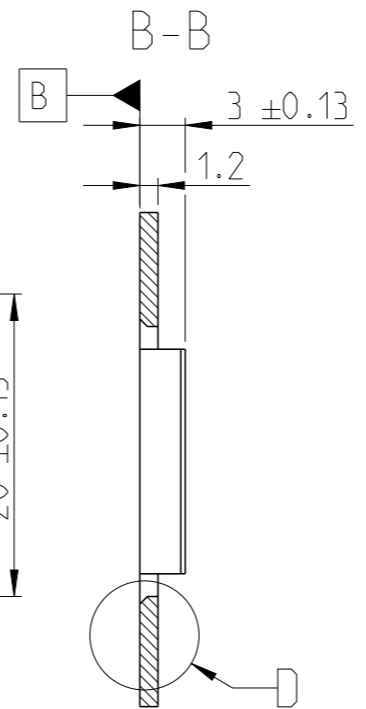
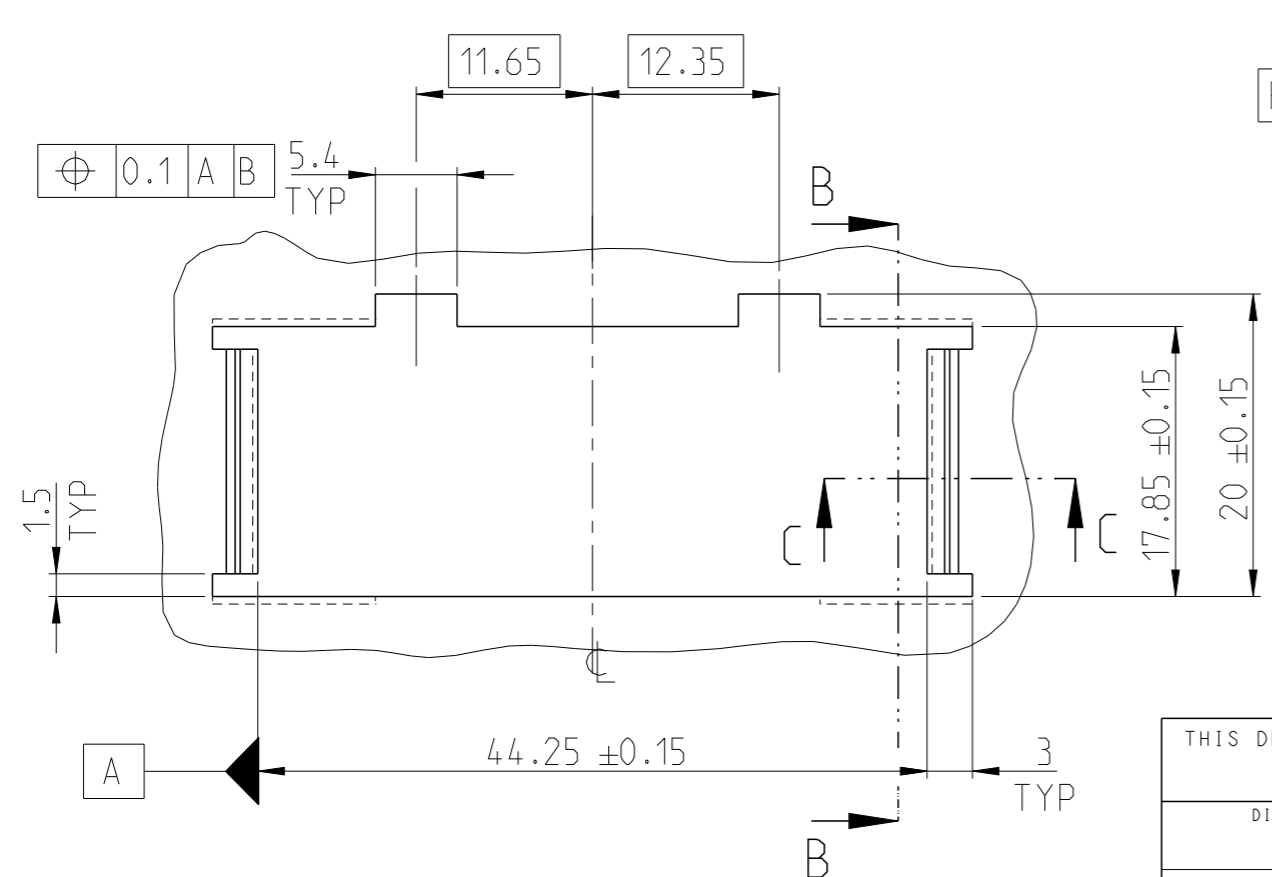


A-A
5:1
3.0mm PLASTIC PANEL CUTOUT

A-A
5:1
1.2mm METAL PANEL CUTOUT



RECOMMENDED 1.2mm METAL AND 3.0mm PLASTIC PANEL CUTOUT (MATING VIEW)



RECOMMENDED 3.0mm FORMED PANEL CUTOUT (MATING VIEW) FOR -2

THIS DRAWING IS A CONTROLLED DOCUMENT.		DWN M. MISTRY 22DEC1994	TE Connectivity															
DIMENSIONS: mm		CHK P. GAULTON																
TOLERANCES UNLESS OTHERWISE SPECIFIED:		APVD M. MISTRY	NAME															
<table border="1"> <tr> <td>0 PLC</td> <td>±</td> <td rowspan="4">±0.5</td> </tr> <tr> <td>1 PLC</td> <td>±</td> </tr> <tr> <td>2 PLC</td> <td>±</td> </tr> <tr> <td>3 PLC</td> <td>±</td> </tr> <tr> <td>4 PLC</td> <td>±</td> <td rowspan="2">±1°</td> </tr> <tr> <td>ANGLES</td> <td>±</td> </tr> </table>		0 PLC	±	±0.5	1 PLC	±	2 PLC	±	3 PLC	±	4 PLC	±	±1°	ANGLES	±	PRODUCT SPEC	DIAGNOSTIC CONNECTOR 16 POSN PLUG HOUSING	
0 PLC	±	±0.5																
1 PLC	±																	
2 PLC	±																	
3 PLC	±																	
4 PLC	±	±1°																
ANGLES	±																	
MATERIAL		APPLICATION SPEC	SIZE A3	CAGE CODE 00779	DRAWING NO C-348822													
FINISH		WEIGHT	RESTRICTED TO															
		CUSTOMER DRAWING	SCALE 2:1	SHEET 2 OF 2	REV E3													