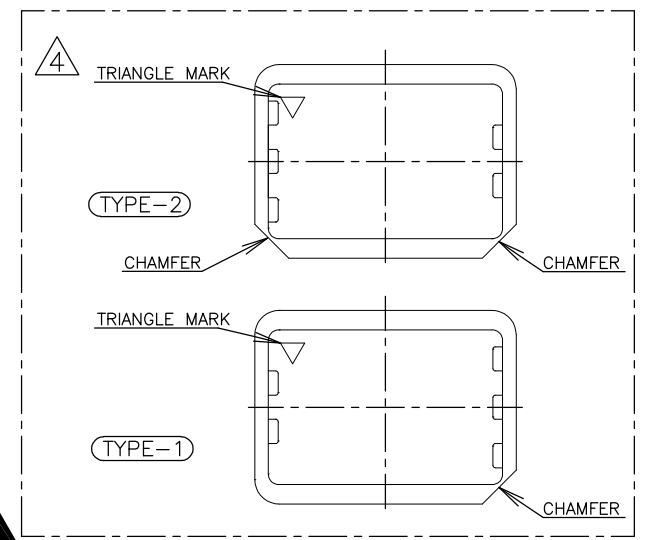
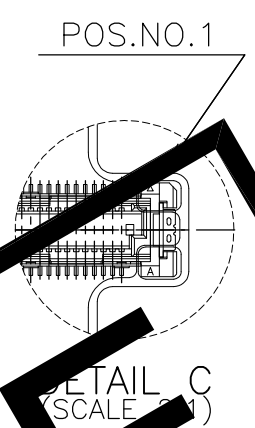
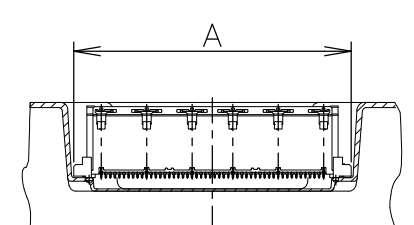
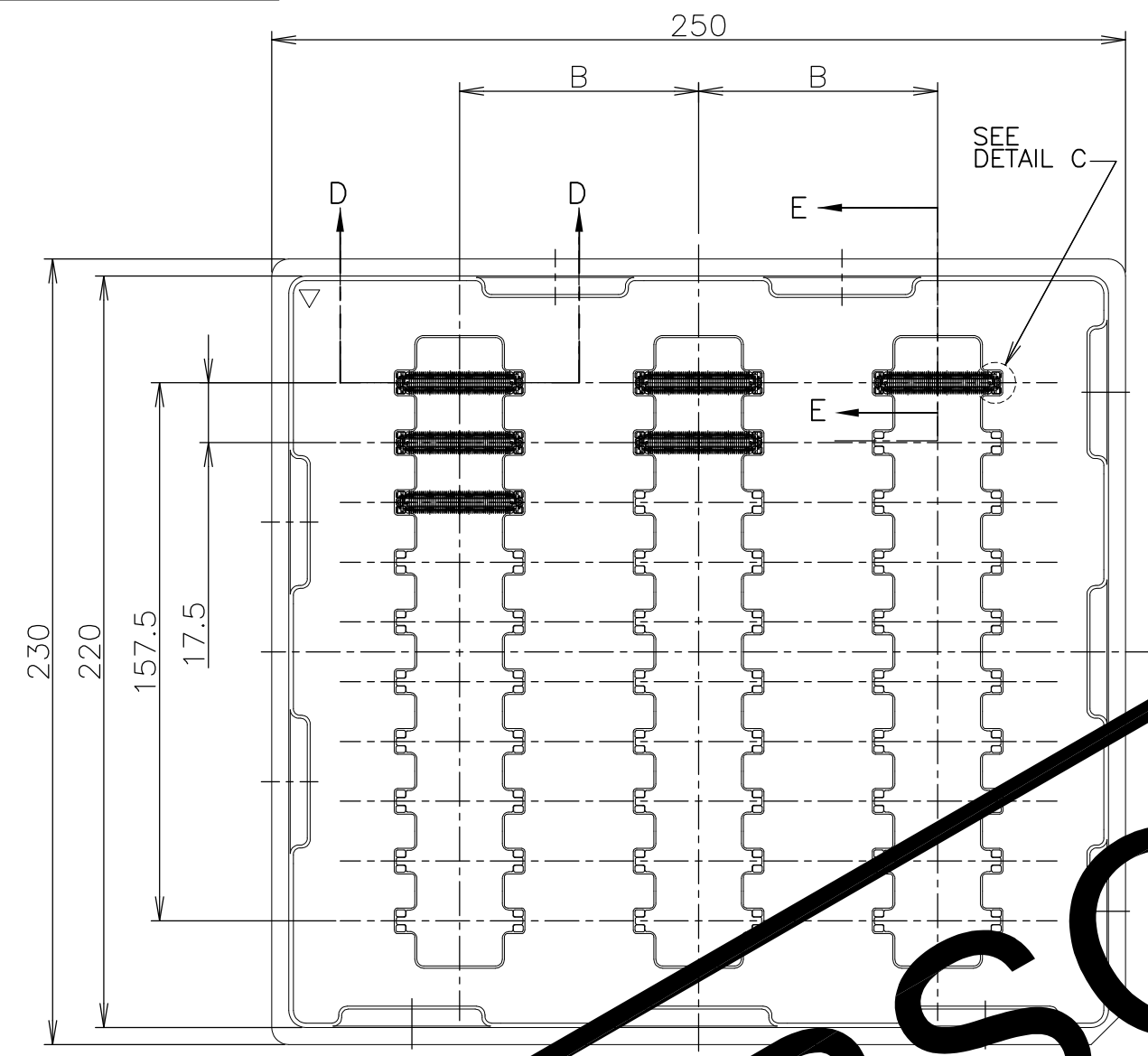


THIS DRAWING IS UNPUBLISHED. RELEASED FOR PUBLICATION JUL ,2008.  
 © COPYRIGHT 2008 BY TYCO ELECTRONICS CORPORATION. ALL RIGHTS RESERVED.

LOC	DIST	REVISIONS					
J		P	LTR	DESCRIPTION	DATE	DWN	APVD
			A	RELEASED	24JUL2008	Y.N	T.F
			B	REVISED PER ECO-17-002393	25MAY17	B.J	S.Y

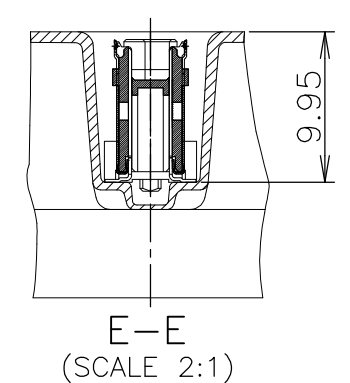
AS SHOWN: TYPE-1



OBSOLETE

TOOLING STATUS	ROW	QTY	B	A	POS.	TRAY P/N	PART NO.
SEALANT	AVAILABLE	30	70	4.7	160	3-912072-4	6-2069367-1
NON SEALANT	NOT AVAILABLE	↑	↑	48.7	140	7- -2	6- -0
				42.7	120	7- -1	5- -9
				36.7	100	7- -0	5- -8
	3	30	70	33.7	90	6- -9	5- -7
		50	43	30.7	80	6- -8	5- -6
				27.7	70	6- -7	5- -5
				24.7	60	6- -6	5- -4
				21.7	50	6- -5	5- -3
				18.7	40	6- -4	5- -2
	5	50	43	15.7	30	6-912072-3	5-2069367-1
	3	30	70	54.7	160	3-912072-4	1-2069367-1
				48.7	140	7- -2	1- -0
				42.7	120	7- -1	- -9
				36.7	100	7- -0	- -8
	3	30	70	33.7	90	6- -9	- -7
		50	43	30.7	80	6- -8	- -6
				27.7	70	6- -7	- -5
				24.7	60	6- -6	- -4
				21.7	50	6- -5	- -3
				18.7	40	6- -4	- -2
	5	50	43	15.7	30	6-912072-3	2069367-1

4 TRAY TYPE-1 AND TYPE-2 MUST BE  
 REEDED UP BY TURNS.  
 (REFER TO PACKING SPECIFICATIONS)



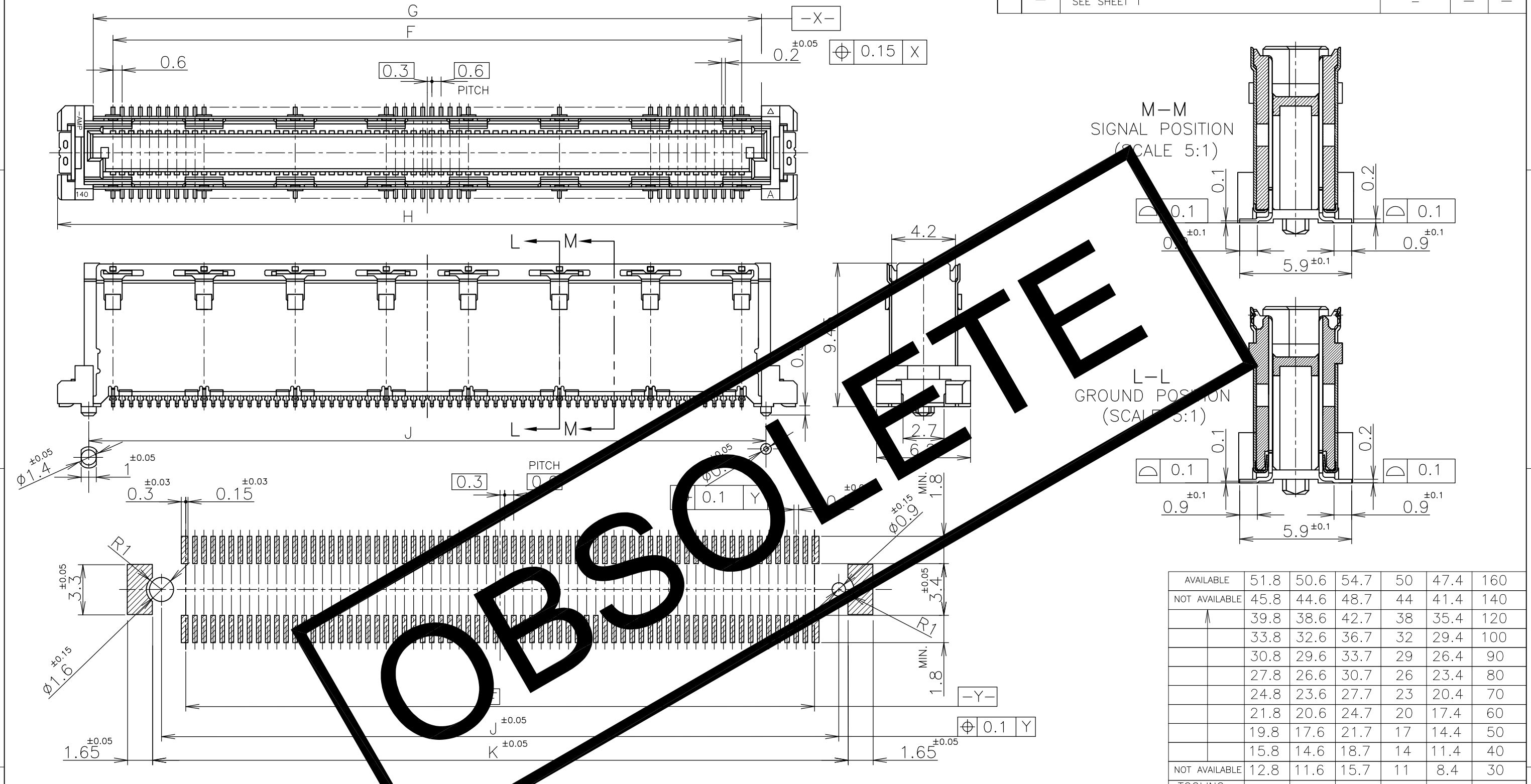
GENERAL TOLERANCE  
 一般公差  
 10 ≥ ±0.2  
 30 ≥ >10: ±0.25  
 100 ≥ >30: ±0.3  
 ANGLES: ±3°

THIS DRAWING IS A CONTROLLED DOCUMENT.

DIMENSIONS: 単位: 耗 mm	TOLERANCES UNLESS OTHERWISE SPECIFIED: 一般公差	DWN Y.NAKAZAWA 24JUL2008	Tyco Electronics Corporation Kawasaki, Japan	
	0 PLC ± - 1 PLC ± - 2 PLC ± - 3 PLC ± - 4 PLC ± - ANGLES ± -	CHK T.FUTATSUGI 24JUL2008	SOFT TRAY ASSY FH 0.6BTB CONNECTOR PLUG 10H W/G-PLATE Au-PLATED 0.00076mm	
		APVD T.FUTATSUGI 24JUL2008	NAME 名称 T.FUTATSUGI	SIZE A3
MATERIAL 材料	FINISH 仕上	PRODUCT SPEC 製品規格 108-60047	CAGE CODE 00779	DRAWING NO 番号 G-2069367
CUSTOMER DRAWING		APPLICATION SPEC 取付適用規格 114-5255	SCALE 尺度 1:2	SHEET 1 OF 3
		WEIGHT	REV B	

THIS DRAWING IS UNPUBLISHED. RELEASED FOR PUBLICATION JUL ,2008.  
 © COPYRIGHT 2008 BY TYCO ELECTRONICS CORPORATION. ALL RIGHTS RESERVED.

LOC	DIST	REVISIONS		
J		変更	DATE	DWN
P	LTR	DESCRIPTION		APVD
		SEE SHEET 1	-	-



AVAILABLE	51.8	50.6	54.7	50	47.4	160
NOT AVAILABLE	45.8	44.6	48.7	44	41.4	140
	39.8	38.6	42.7	38	35.4	120
	33.8	32.6	36.7	32	29.4	100
	30.8	29.6	33.7	29	26.4	90
	27.8	26.6	30.7	26	23.4	80
	24.8	23.6	27.7	23	20.4	70
	21.8	20.6	24.7	20	17.4	60
	19.8	17.6	21.7	17	14.4	50
	15.8	14.6	18.7	14	11.4	40
NOT AVAILABLE	12.8	11.6	15.7	11	8.4	30
TOOLING STATUS	K	J	H	G	F	POS

REFERENCE P.C. BOARD LAYOUT

GENERAL TOLERANCE  
一般公差

10 ≥	±0.2
30 ≥	>10: ±0.25
100 ≥	>30: ±0.3
ANGLES: ±3°	

THIS DRAWING IS A CONTROLLED DOCUMENT.

DIMENSIONS: 単位: 耗 mm	TOLERANCES UNLESS OTHERWISE SPECIFIED: 一般公差	DWN	Tyco Electronics Corporation Kawasaki, Japan	
	0 PLC ± - 1 PLC ± - 2 PLC ± - 3 PLC ± - 4 PLC ± - ANGLES ± -	CHK	NAME 名称	
MATERIAL 材料	FINISH 仕上	APVD	SOFT TRAY ASSY FH 0.6BTB CONNECTOR PLUG 10H W/G-PLATE Au-PLATED 0.00076mm	
		PRODUCT SPEC 製品規格	SIZE	CAGE CODE
		APPLICATION SPEC 取付適用規格	A3	00779
		WEIGHT	DRAWING NO 番号	RESTRICTED TO
		CUSTOMER DRAWING	G-2069367	
			SCALE 尺度 4:1	SHEET 2 OF 3
				REV B

THIS DRAWING IS UNPUBLISHED. RELEASED FOR PUBLICATION JUL ,2008.  
 © COPYRIGHT 2008 BY TYCO ELECTRONICS CORPORATION. ALL RIGHTS RESERVED.

LOC	DIST	REVISIONS 変更					
J		P	LTR	DESCRIPTION	DATE	DWN	APVD
			-	SEE SHEET 1	-	-	-



- ① MATERIAL ; HOUSING : HIGH TEMP THERMO PLASTIC  
UL94V-0  
CONTACT : COPPER ALLOY
- ② FINISH ; UNDER PL Ni 0.0013mm MIN ALL OVER.  
CONTACT AREA 0.00076 MIN Au PL.  
SOLDERING AREA 0.001 MIN TIN PL.
- ③ THIS POSITION IS GROUND CIRCUIT.

THIS DRAWING IS A CONTROLLED DOCUMENT.		DWN	Tyco Electronics Corporation Kawasaki, Japan	
DIMENSIONS: 単位: 耗 mm		CHK	NAME 名称	
TOLERANCES UNLESS OTHERWISE SPECIFIED: 一般公差		APVD	SOFT TRAY ASSY FH 0.6BTB CONNECTOR PLUG 10H W/G-PLATE Au-PLATED 0.00076mm	
0 PLC ± - 1 PLC ± - 2 PLC ± - 3 PLC ± - 4 PLC ± - ANGLES ± -		PRODUCT SPEC 製品規格	SIZE	CAGE CODE
MATERIAL 材料		APPLICATION SPEC 取付適用規格	A3	00779
FINISH 仕上		WEIGHT	DRAWING NO 番号	RESTRICTED TO
GENERAL TOLERANCE 一般公差		G-2069367		
10 ≥ : ±0.2 30 ≥ : >10: ±0.25 100 ≥ : >30: ±0.3 ANGLES: ±3°		CUSTOMER DRAWING		SCALE 尺度 3:1
		SHEET 3 OF 3		REV B