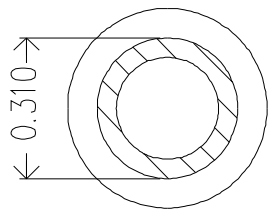
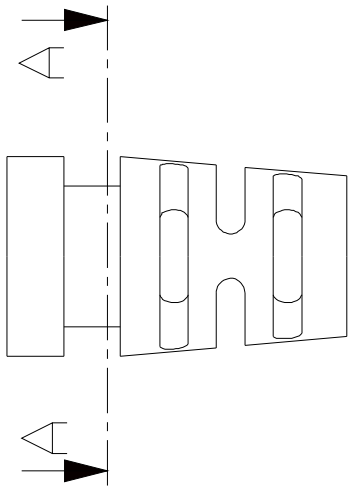
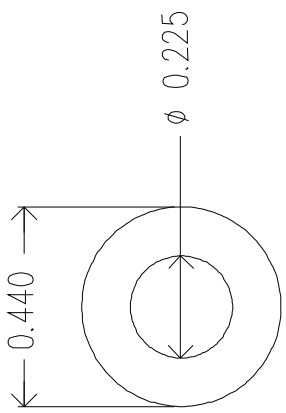
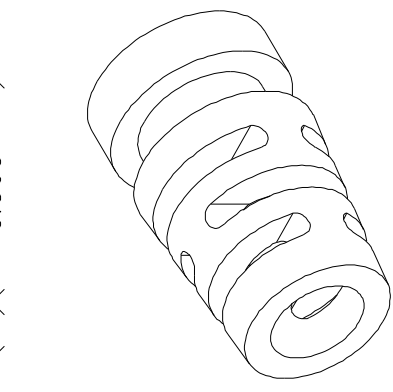
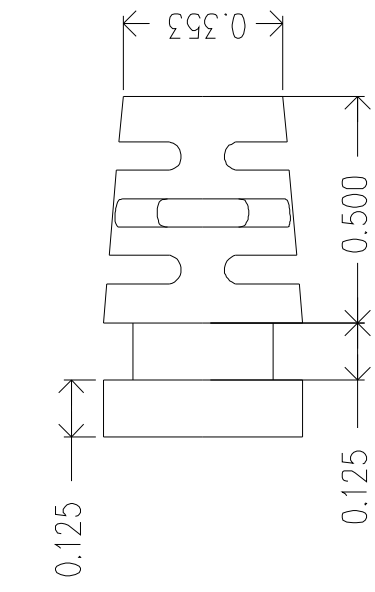


REVISIONS		DATE	APPROVED
ZONE	REV.		



A-A

Dimensions are subject to change.
 PROPRIETARY AND CONFIDENTIAL
 THE INFORMATION CONTAINED IN THIS DRAWING IS THE SOLE PROPERTY OF ISC ENGINEERING. ANY REPRODUCTION IN PART OR AS A WHOLE WITHOUT THE WRITTEN PERMISSION OF ISC ENGINEERING IS PROHIBITED.

MOLD MATERIAL: ISC P/N: 5000214, PVC, M1472, Black, RoHS

DIMENSIONS ARE IN INCHES		NAME	DATE
TOLERANCES:		R. FIERRO	09/18/03
FRACTIONAL ±		DRAWN	CHECKED
ANGULAR: MACH ±	BEND ±	ENG APPR.	
TWO PLACE DECIMAL ±		WFG APPR.	
THREE PLACE DECIMAL ±		O.A.	
		COMMENTS:	
MATERIAL	---		
FINISH	---		
NEXT ASSY	USED ON		
APPLICATION	DO NOT SCALE DRAWING		

ISC Engineering
 4351 Schaefer Ave, Chino, CA 91710
 Ph: 909-596-3315 Fax: 909-596-3335
 www.iscengineering.com
 www.overmoldtooling.com

1461080-225-E-310-440-0

SIZE	DWG. NO.	REV.
A	1467109	
SCALE: 5:1	WEIGHT:	SHEET 1 OF 1

