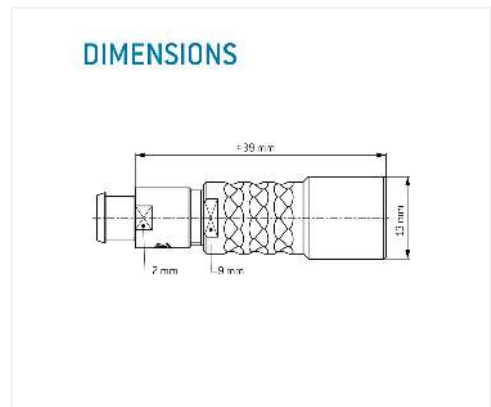


**K20K0C-P02NJH0-350S**  
**series\_k, type\_k2**



**General information**

<b>Part number</b>	K20K0C-P02NJH0-350S
<b>Termination</b>	crimp
<b>Size</b>	0
<b>Locking principle</b>	break , push
<b>Coding</b>	0_key
<b>Cable Diameter</b>	cable_mini_35
<b>Cable outlet</b>	bend_relief



**Contact insert description**

<b>Number of contacts</b>	2
<b>Contact type</b>	sockets
<b>Contact diameter</b>	09mm
<b>Insulator material</b>	peek
<b>Wire cross section</b>	20-24_awg
<b>Termination</b>	crimp

reverse\_gender\_on\_request

**Technical information**

<b>Max. creepage and air clearance distance</b>	07_mm	06_mm
<b>Nominal current single contact</b>	10_a	iec_60512_5_2
<b>Nominal current insert</b>	10 A	vde_0298_4
<b>Test voltage</b>	11_kv_ac	sae_13441

safety\_text

## Mechanical and environmental data

Degree of protection*	ip68
-----------------------	------

Operating temperature	40_120_c
-----------------------	----------

Mating cycles	5000
---------------	------

mated

## Material and surface treatments

Housing	m_chrome
---------	----------

Contact	cu_alloy_gold
---------	---------------

safety\_text\_2

ul\_text

illustrative\_text