

Isolated 3 A single gate driver for Enhancement mode GaN FETs



SO-8

Features

- High voltage rail up to 1700 V
- Driver current capability: 2 A / 3 A source/sink @25 °C, $V_H = 6\text{ V}$
- dV/dt transient immunity $\pm 100\text{ V/ns}$
- Input-output propagation delay: 45 ns
- Separate sink and source option for easy gate driving configuration
- UVLO function optimized for GaN
- Gate driving voltage up to 15 V
- 3.3 V, 5 V TTL/CMOS inputs with hysteresis
- Temperature shut-down protection
- Standby function
- Narrow body SO-8 package

Application

- Motor driver for home appliances, factory automation, industrial drives and fans.
- 600/1200 V inverters
- Wireless chargers
- UPS
- Power supply units
- DC-DC converters
- Power Factor Correction

Description

The **STGAP2GSN** is a single gate driver which provides isolation between the gate driving channel and the low voltage control and interface circuitry.

The gate driver is characterized by 2 A source and 3 A sink capability and rail-to-rail outputs, making the device also suitable for mid and high power applications such as power conversion and motor driver inverters in industrial applications.

The device allows to independently optimize turn-on and turn-off by using dedicated gate resistors.

The device integrates protection functions including thermal shutdown and UVLO with optimized level for Enhancement-mode GaN FETs, which enables easy design high efficiency and reliable systems. Dual input pins allow the selection of signal polarity control and implementation of HW interlocking protection to avoid cross-conduction in case of controller malfunction.

The input to output propagation delay results contained within 45 ns, providing high PWM control accuracy.

A standby mode is available to reduce idle power consumption.

Product status link

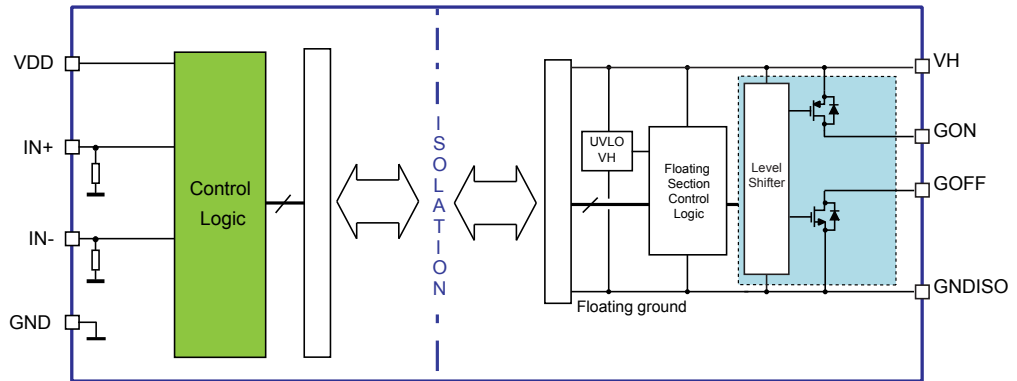
[STGAP2GSN](#)

Product label



1 Block diagram

Figure 1. STGAP2GSN Block diagram



2 Pin description and connection diagram

Figure 2. STGAP2GSN Pin connection (top view)

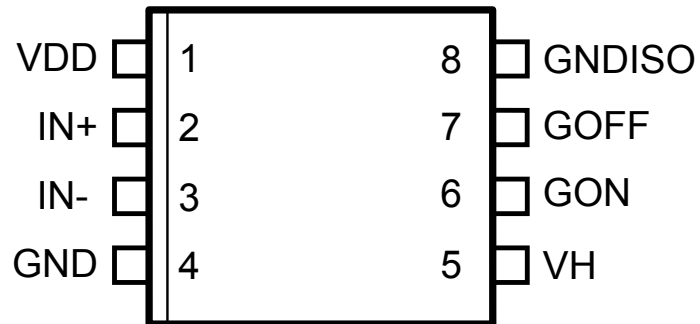


Table 1. Pin Description

Pin #	Pin name	Type	Function
1	VDD	Power supply	Driver logic supply voltage.
2	IN+	Logic input	Driver logic input, active high.
3	IN-	Logic input	Driver logic input, active low.
4	GND	Power supply	Driver logic ground.
5	VH	Power supply	Gate driving positive voltage supply.
6	GON	Analog output	Source output.
7	GOFF	Analog output	Sink output.
8	GNDISO	Power supply	Gate driving Isolated ground.

3 Electrical data

3.1 Absolute maximum ratings

Table 2. Absolute maximum ratings

Symbol	Parameter	Test condition	Min.	Max.	Unit
VDD	Logic supply voltage vs. GND		- 0.3	6	V
V _{LOGIC}	Logic pins voltage vs. GND		- 0.3	6	V
VH	Positive supply voltage (VH vs. GNDISO)		- 0.3	15	V
V _{OUT}	Voltage on gate driver outputs (GON, GOFF vs. GNDISO)		- 0.3	VH + 0.3	V
T _J	Junction temperature		- 40	150	°C
T _S	Storage temperature		- 50	150	°C
ESD	HBM (human body model)			2	kV

3.2 Recommended operating conditions

Table 3. Recommended operating conditions

Symbol	Parameter	Test conditions	Min.	Max.	Unit
VDD	Logic supply voltage vs. GND		3.1	5.5	V
V _{LOGIC}	Logic pins voltage vs. GND		0	5.5	V
VH	Positive supply voltage (VH vs. GNDISO)		Max(V _{Hon})	13	V
dVH/dt	VH power-up transient	VH = 0 to 6 V	100		µs
V _{ISO-OP}	Input to output operative voltage (GND to GNDISO)	DC or peak	-1700	+1700	V
F _{SW}	Maximum switching frequency. ⁽¹⁾			2	MHz
T _J	Operating Junction Temperature		-40	125	°C

1. Actual limit depends on power dissipation and T_J

3.3 Thermal data

Table 4. Thermal data

Symbol	Parameter	Test condition	Value	Unit
R _{th(JA)}	Thermal resistance junction to ambient	JEDEC 2s2p PCB in still air	130	°C/W

4 Electrical characteristics

Testing conditions: $T_J = 25\text{ °C}$, $V_H = 6\text{ V}$, $V_{DD} = 5\text{ V}$ unless otherwise specified.

Typical values are intended at $T_J = 25\text{ °C}$.

Table 5. Electrical characteristics

Symbol	Pin	Parameter	Test conditions	Min.	Typ.	Max.	Unit
Dynamic characteristics							
t_{Don}	IN+, IN-	Input to output propagation delay ON	$V_{DD} = 5\text{ V}$, $T_J = 25\text{ °C}$	35	42	50	ns
			$V_{DD} = 5\text{ V}$, $-40\text{ °C} \leq T_J \leq +125\text{ °C}$ (1)	30		70	ns
			$V_{DD} = 3.3\text{ V}$, $T_J = 25\text{ °C}$	45	55	65	ns
			$V_{DD} = 3.3\text{ V}$, $-40\text{ °C} \leq T_J \leq +125\text{ °C}$ (1)	39		93	ns
t_{Doff}	IN+, IN-	Input to output propagation delay OFF	$V_{DD} = 5\text{ V}$, $T_J = 25\text{ °C}$	35	42	50	ns
			$V_{DD} = 5\text{ V}$, $-40\text{ °C} \leq T_J \leq +125\text{ °C}$ (1)	30		70	ns
			$V_{DD} = 3.3\text{ V}$, $T_J = 25\text{ °C}$	45	55	65	ns
			$V_{DD} = 3.3\text{ V}$, $-40\text{ °C} \leq T_J \leq +125\text{ °C}$ (1)	39		93	ns
t_r		Rise time	$C_L = 4.7\text{ nF}$ see Figure 8		30		ns
t_f		Fall time			30		ns
PWD		Pulse Width Distortion $ t_{Don} - t_{Doff} $				8	ns
CMTI (1)		Common-mode transient immunity, $ dV_{ISO}/dt $	$V_{CM} = 1500\text{ V}$, see Figure 9	100			V/ns
Supply voltage							
$V_{H_{on}}$	VH	VH UVLO turn-on threshold		4.2	4.5	4.8	V
$V_{H_{off}}$	VH	VH UVLO turn-off threshold		4.1	4.4	4.7	V
$V_{H_{hyst}}$	VH	VH UVLO hysteresis		90	100	130	mV
I_{QH}	VH	VH quiescent supply current			1.3	1.8	mA
$I_{QH_{SBY}}$	VH	Standby VH quiescent supply current	Standby mode		400	550	μA
SafeClp	GOFF	GOFF active clamp	$I_{GOFF} = 0.2\text{ A}$; VH floating		2	2.3	V
I_{QDD}	VDD	VDD quiescent supply current			1.0	1.3	mA

Symbol	Pin	Parameter	Test conditions	Min.	Typ.	Max.	Unit
I_{QDDSBY}	VDD	Standby VDD quiescent supply current	Standby mode		40	65	μA
Logic inputs							
V_{il}	IN+, IN-	Low-level logic threshold voltage		$0.29 \cdot V_{DD}$	$0.33 \cdot V_{DD}$	$0.37 \cdot V_{DD}$	V
V_{ih}	IN+, IN-	High-level logic threshold voltage		$0.58 \cdot V_{DD}$	$0.66 \cdot V_{DD}$	$0.70 \cdot V_{DD}$	V
I_{INh}	IN+, IN-	INx logic "1" input bias current	INx = 5 V	33	50	70	μA
I_{INl}	IN+, IN-	INx logic "0" input bias current	INx = GND			1	μA
R_{pd}	IN+, IN-	Inputs pull-down resistors	INx = 5 V	70	100	150	k Ω
Driver buffer section							
I_{GON}	GON	Source short-circuit current	$T_J = 25\text{ }^\circ\text{C}$		2		A
			$T_J = -40 \div +125\text{ }^\circ\text{C}$ (1)	1.5		2.5	
V_{GONH}	GON	Source output high-level voltage	$I_{GON} = 100\text{ mA}$	VH-0.15	VH-0.12		V
R_{GON}	GON	Source R_{DS_ON}	$I_{GON} = 100\text{ mA}$		1.25	1.5	Ω
I_{GOFF}	GOFF	Sink short-circuit current	$T_J = 25\text{ }^\circ\text{C}$		3		A
			$T_J = -40 \div +125\text{ }^\circ\text{C}$ (1)	2.25		3.75	
V_{GOFFL}	GOFF	Sink output low-level voltage	$I_{GOFF} = 100\text{ mA}$		60	80	mV
R_{GOFF}	GOFF	Sink R_{DS_ON}	$I_{GOFF} = 100\text{ mA}$		0.6	0.8	Ω
Overtemperature protection							
T_{SD}		Shutdown temperature (1)		170			$^\circ\text{C}$
T_{hys}		Temperature hysteresis (1)			20		$^\circ\text{C}$
Standby							
t_{STBY}		Standby time	See Section 6.6	200	280	500	μs
t_{WUP}		Wake-up time	See Section 6.6	10	20	35	μs
t_{awake}		Wake-up delay	See Section 6.6	1	2	3	μs
$t_{stbyfilt}$		Standby filter	See Section 6.6	200	280	800	ns

1. Characterization data, not tested in production

5 Isolation

Table 6. Isolation and safety-related specifications

Parameter	Symbol	Value	Unit	Conditions
Clearance (Minimum External Air Gap)	CLR	4	mm	Measured from input terminals to output terminals, shortest distance through air
Creepage (*) (Minimum External Tracking)	CPG	4	mm	Measured from input terminals to output terminals, shortest distance path along body
Comparative Tracking Index (Tracking Resistance)	CTI	≥ 400	V	DIN IEC 112/VDE 0303 Part 1
Isolation Group	-	II	-	Material Group (DIN VDE 0110, 1/89, Table 1)

Table 7. Isolation characteristics

Parameter	Symbol	Test Conditions	Characteristic	Unit
Input to Output test voltage In accordance with VDE 0884-17	V _{PR}	Method a, Type test	2720	V _{PEAK}
		V _{PR} = 2720 V, t _m = 10 s		
		Partial discharge < 5 pC		
		Method b1, 100 % Production test	3200	
		V _{PR} = 3200 V, t _m = 1 s		
		Partial discharge < 5 pC		
Transient Overvoltage (Highest Allowable Overvoltage)	V _{IOTM}	t _{ni} = 60 s, Type test	4800	V _{PEAK}
Maximum Surge Test Voltage	V _{IOSM}	Type test	4800	V _{PEAK}
Isolation Resistance	R _{IO}	V _{IO} = 500 V; Type test	>10 ⁹	Ω

Table 8. Isolation voltage

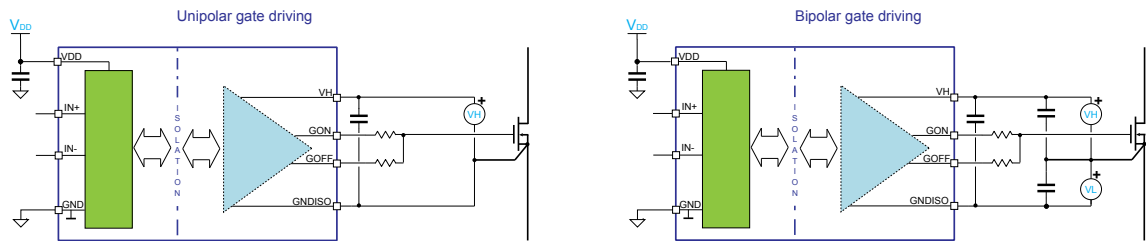
Parameter	Symbol	Characteristic	Unit
Isolation Withstand Voltage, 1min (Type test)	V _{ISO}	2828/4000	V _{RMS} /V _{PEAK}
Isolation Test Voltage, 1sec (100% production)	V _{ISOtest}	3394/4800	V _{RMS} /V _{PEAK}

6 Functional description

6.1 Gate driving power supply and UVLO

The STGAP2GSN is a flexible and compact gate driver with 3 A output current and rail-to-rail outputs. The device allows implementation of either unipolar or bipolar gate driving.

Figure 3. Power supply configuration for unipolar and bipolar gate driving



Undervoltage protection is available on VH supply pin. A fixed hysteresis sets the turn-off threshold, thus avoiding intermittent operation.

When VH voltage falls below the V_{Hoff} threshold, the output buffer enters a “safe state”. When VH voltage reaches the V_{Hon} threshold, the device returns to normal operation and sets the output according to actual input pins status.

The VDD and VH supply pins must be properly filtered with local bypass capacitors. The use of capacitors with different values in parallel provides both local storage for impulsive current supply and high-frequency filtering. The best filtering is obtained by using low-ESR SMT ceramic capacitors and are therefore recommended. A 100 nF ceramic capacitor must be placed as close as possible to each supply pin, and a second bypass capacitor with value in the range between 1 μ F and 10 μ F should be placed close to it.

6.2 Power-up, power-down and “safe state”

The following conditions define the “safe state”:

- GOFF = ON state;
- GON = High Impedance;

Such conditions are established at the end of the power-up of the isolated side ($V_H < V_{Hon}$) and maintained until the device power down phase ($V_H < V_{Hoff}$), regardless of the value of the input pins.

When driving GaN switches, it is recommended to provide a smooth voltage transient to the VH supply pin during power ON, and to limit the VH rising slope according to Table 3.

The device integrates a structure which clamps the driver output to a voltage not higher than SafeClp when VH voltage is not high enough to actively turn the internal GOFF MOSFET on. If VH positive supply pin is floating or not supplied the GOFF pin is therefore clamped to a voltage smaller than SafeClp.

If the supply voltage VDD of the control section of the device is not supplied, the output is put in safe state, and remains in such condition until the VDD voltage returns within operative conditions.

After power-up of both isolated and low voltage sides, the device output state depends on the status of the input pins.

6.3 Control inputs

The device is controlled through the IN+ and IN- logic inputs, in accordance with the truth table described in following Table 9

Table 9. STGAP2GSN inputs truth table (applicable when device is not in UVLO or "safe state")

Input pins		Output pins	
IN+	IN-	GON	GOFF
L	L	OFF	ON
H	L	ON	OFF
L	H	OFF	ON
H	H	OFF	ON

6.4 Watchdog

The isolated HV side has a watchdog function in order to identify when it is not able to communicate with LV side, for example because the VDD of the LV side is not supplied. In this case the output of the driver is forced in "safe state" until communication link is properly established again.

6.5 Thermal shutdown protection

The device provides a thermal shutdown protection. When junction temperature reaches the T_{SD} temperature threshold, the device is forced in "safe state". The device operation is restored as soon as the junction temperature is lower than $T_{SD}-T_{hys}$.

6.6 Standby function

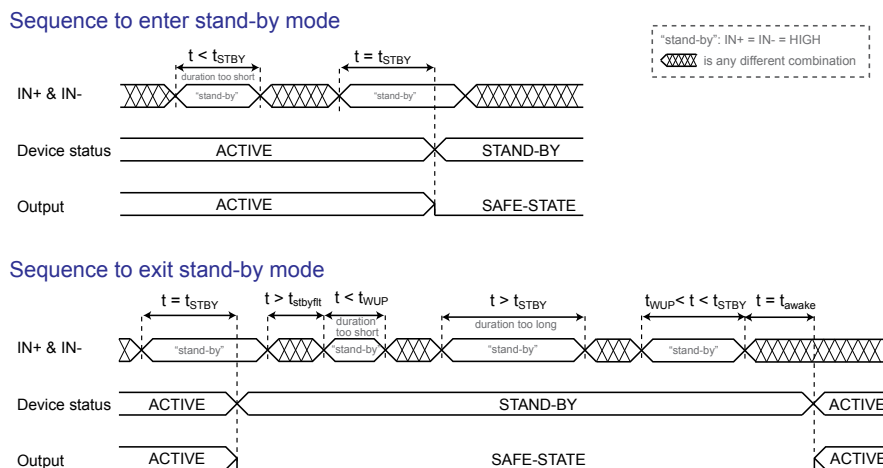
In order to reduce the power consumption of both control interface and gate driving sides the device can be put in standby mode. In standby mode the quiescent current from VDD and VH supply pins is reduced to I_{QDDBY} and I_{QHSDY} respectively, and the output remains in "safe state" (the output is actively forced low).

The way to enter standby is to keep both IN+ and IN- high ("standby" value) for a time longer than t_{STBY} . During standby the inputs can change from the "standby" value.

To exit standby, IN+ and IN- must be put in any combination different from the "standby" value for a time longer than $t_{stbyfilt}$, and then in the "standby" value for a time t such that $t_{WUP} < t < t_{STBY}$.

When the input configuration is changed from the "standby" value the output is enabled and set according to inputs state after a time t_{awake} .

Figure 4. Standby state sequences



7 Typical application

The STGAP2GSN is design to drive Enhancement-mode GaN FETs, thanks to the separated turn-on and turn-off output pins and to the optimized UVLO protection. Since the threshold voltage of GaN HEMTs is typically lower than 2 V, attention must be paid to avoid induced turn on phenomena during high dV/dt transients. The most common solution is to differentiate the values of turn-on and turn-off gate resistors, making the turn-off resistor smaller than the turn-on one. In some cases, the use of negative driving might be needed (see [Figure 6. Typical application diagram - Negative gate driving](#), depending on the GaN characteristic and working conditions. In all cases the use of a 10 kΩ pull-down resistor between the gate and Kelvin-Source pins is recommended, in order to avoid gate spikes while the driver is not yet powered on.

Optimal driving of GaN switches requires an optimized routing of gate loop with minimized parasitic inductance; in order to ease this task many GaN switches comes with a dedicated Kelvin-Source pin dedicated for the gatedriving. Also the current loop of the and power stage and the connection to the power bulk capacitor should be designed with minimum loop inductance; some recommendations are provided in [Section 8](#) .

Figure 5. Typical application diagram - Positive gate driving

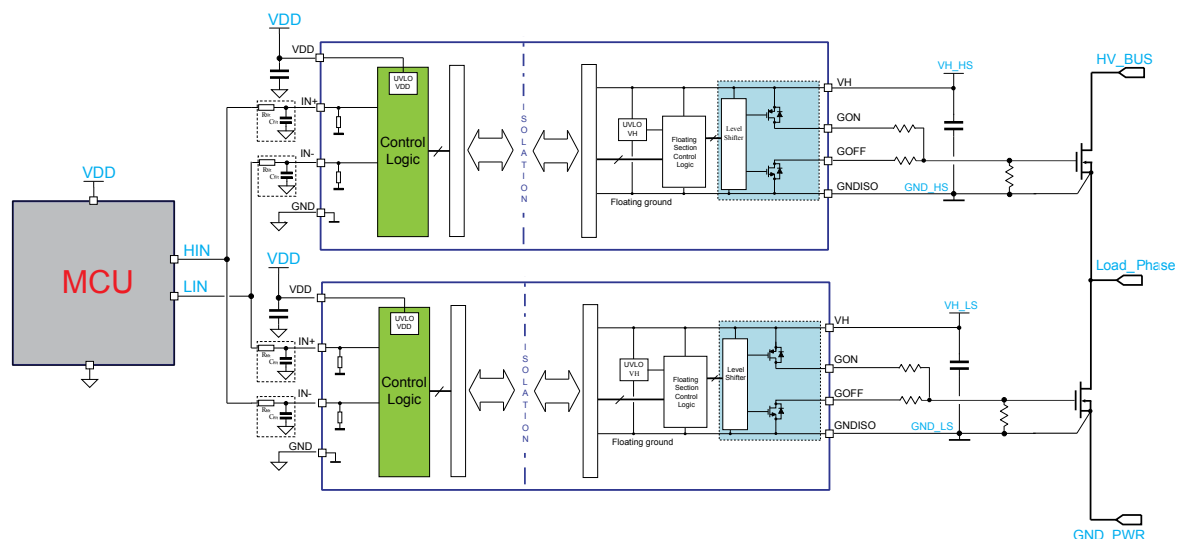
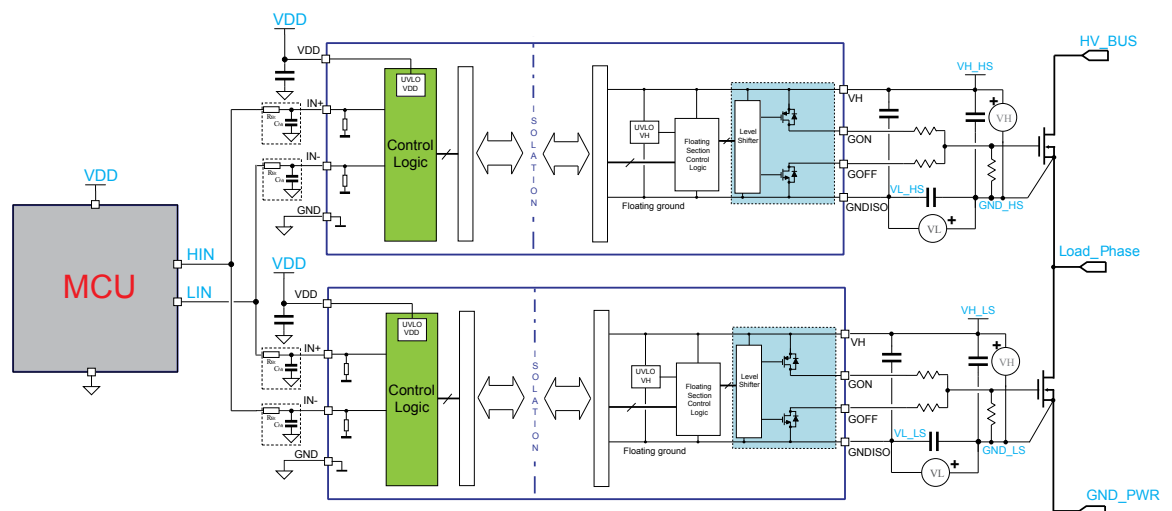


Figure 6. Typical application diagram - Negative gate driving



8 Layout

8.1 Layout guidelines and considerations

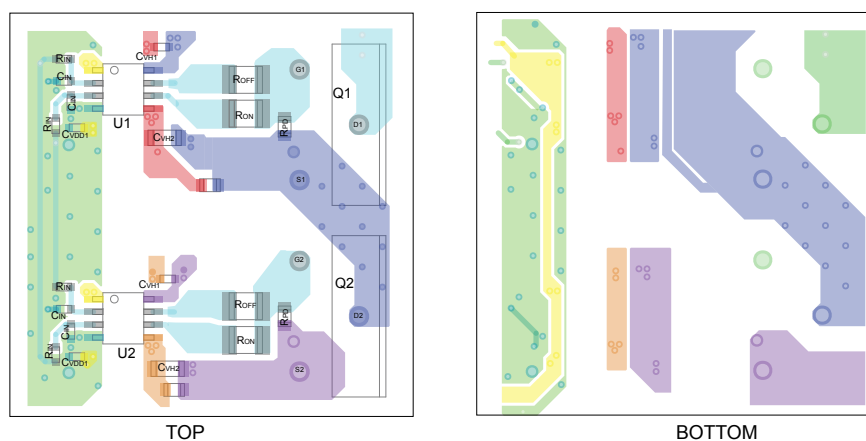
In order to optimize the PCB layout, the following considerations should be taken into account:

- The power transistors must be placed as close as possible to the gate driver, so to minimize the gate loop area and inductance that might cause noise, ringing and, in the worst cases, induced turn-on. Gate loop inductance is crucial especially in GaN applications, where the V_{GSth} is typically lower than other technologies. To further minimize gate loop inductance, it is recommended to use an inner plane layer to route the gate current return path (Kelvin-Source to GNDISO) flowing just underneath gate resistors. Adequate vias to connect to the plane shall be placed near driver and power switch source pins.
- When driving GaN switches the use of a 10 k Ω pull-down resistor between Gate and Kelvin-Source is also recommended. Such resistor should be placed close to the GaN pins.
- If the power transistor provides Kelvin-Source pin, it shall be used for gate driving while using the standard source pin(s) only for load current. The standard source pin(s) and the Kelvin-Source pin shall not be shorted together on PCB.
- If the power transistor does not provide Kelvin-Source pin, the net connecting the driver (GNDISO pin) to the power switch source pin shall use a dedicated trace/plane. The trace/plane shall start just on power switch source pin to minimize path sharing between gate current and load current.
- SMT ceramic capacitors (or different types of low-ESR and low-ESL capacitors) must be placed close to each supply rail pins. A 100 nF capacitor must be placed between VDD and GND and between VH and GNDISO, as close as possible to device pins, in order to filter high-frequency noise and spikes. In order to provide local storage for pulsed current, a second capacitor with a value between 1 μ F and 10 μ F should also be placed close to the supply pins.
- It is good practice to add filtering capacitors close to logic inputs of the device (IN+, IN-), particularly for fast switching or noisy applications.
- To avoid degradation of the isolation between the primary and secondary side of the driver, there should not be any trace or conductive area below the driver.
- If the system has multiple layers, it is recommended to connect the VH and GNDISO pins to internal ground or power planes through multiple vias of adequate size. These vias should be located close to the IC pins to maximize thermal conductivity.

8.2 Layout example

An example of STGAP2GSN half-bridge suggested PCB layout with main signals highlighted by different colors is shown in Figure 7. It is recommended to follow this example for correct positioning and connection of filtering capacitors.

Figure 7. Half-bridge suggested PCB layout



9 Testing and characterization information

Figure 8. Timings definition

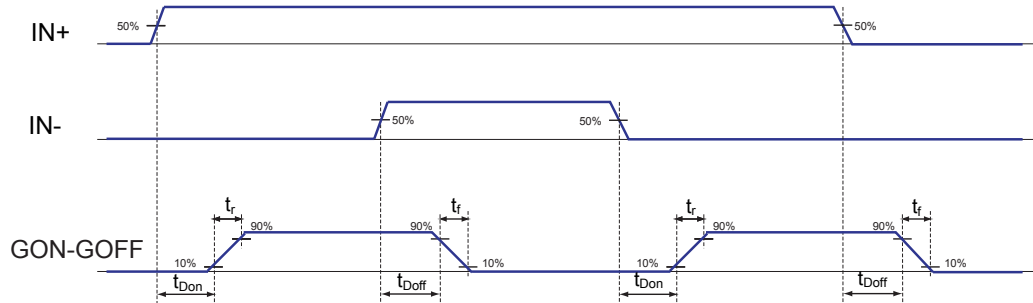
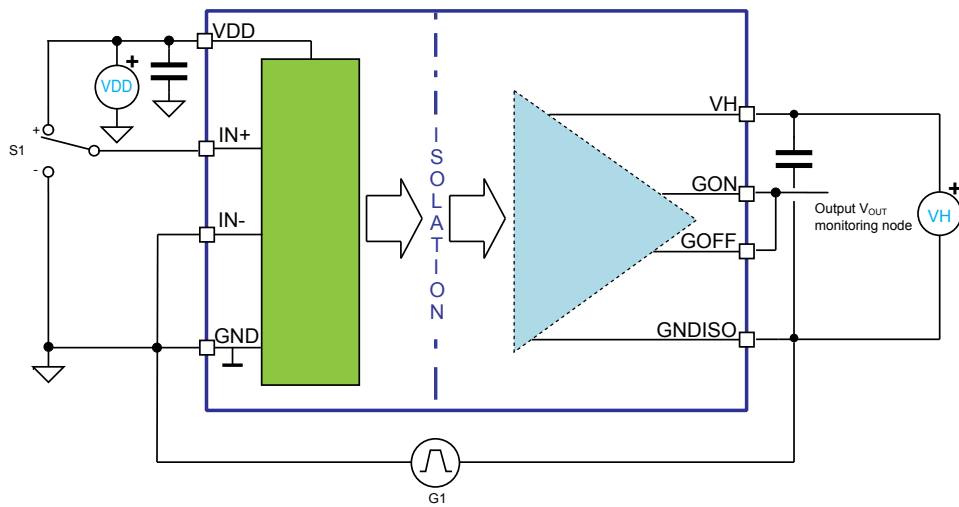


Figure 9. CMTI test circuit



10 Package information

In order to meet environmental requirements, ST offers these devices in different grades of **ECOPACK** packages, depending on their level of environmental compliance. ECOPACK specifications, grade definitions and product status are available at: www.st.com. ECOPACK is an ST trademark.

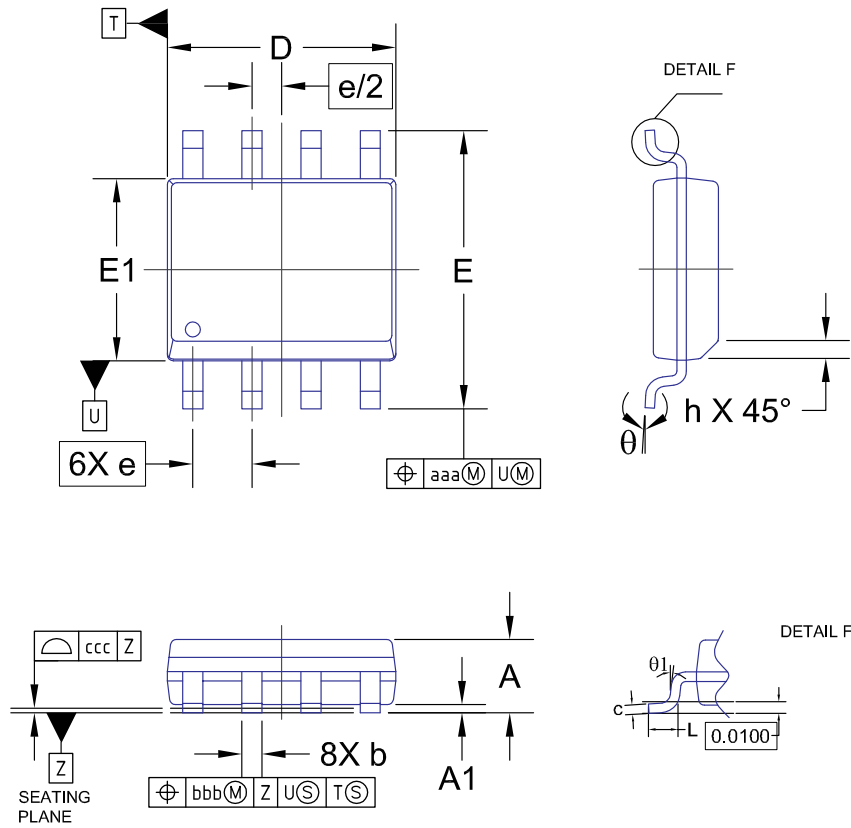
10.1 SO-8 package information

Table 10. SO-8 package dimensions

Dim.	mm		
	Min.	Typ.	Max.
A	1.35	-	1.75
A1	0.10	-	0.25
b	0.35	-	0.49
c	0.19	-	0.25
D ⁽¹⁾	4.8	-	5
E1	3.8	3.9	4
E	5.8	6	6.2
e	1.27 BSC		
L	0.4	-	1.25
h	0.25	-	0.50
θ	0°		7°
∅1	2°		12°
aaa	0.25		
bbb	0.25		
ccc	0.1		

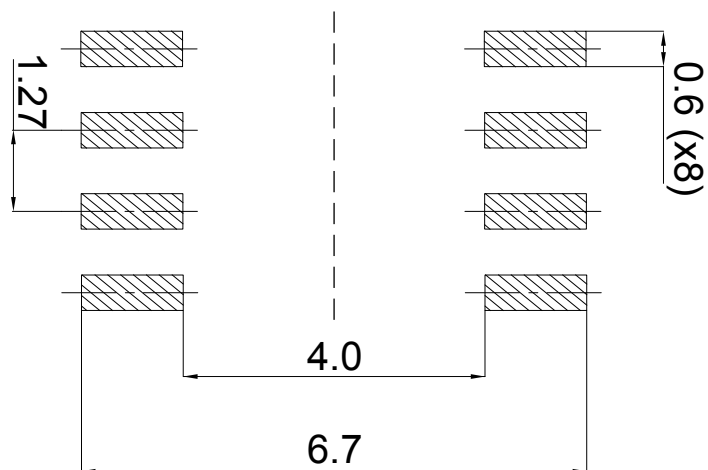
1. Dimension "D" does not include mold flash, protrusions, or gate burrs. Mold flash, protrusions or gate burrs shall not exceed 0.15 mm per side.

Figure 10. SO-8 mechanical data



10.2 SO-8 Suggested land pattern

Figure 11. SO-8 suggested land pattern



11 Ordering information

Table 11. Device summary

Order code	Package	Package marking	Packaging
STGAP2GSNC	SO-8	GAP2GSN	Tube
STGAP2GSNCTR	SO-8	GAP2GSN	Tape and Reel

Revision history

Table 12. Document revision history

Date	Version	Changes
21-Dec-2022	1	Initial release.

Contents

1	Block diagram	2
2	Pin description and connection diagram	3
3	Electrical data	4
3.1	Absolute maximum ratings	4
3.2	Recommended operating conditions	4
3.3	Thermal data	4
4	Electrical characteristics	5
5	Isolation	7
6	Functional description	8
6.1	Gate driving power supply and UVLO	8
6.2	Power-up, power-down and “safe state”	8
6.3	Control inputs	9
6.4	Watchdog	9
6.5	Thermal shutdown protection	9
6.6	Standby function	9
7	Typical application	10
8	Layout	11
8.1	Layout guidelines and considerations	11
8.2	Layout example	11
9	Testing and characterization information	12
10	Package information	13
10.1	SO-8 package information	13
10.2	SO-8 Suggested land pattern	14
11	Ordering information	15
	Revision history	16
	List of tables	18
	List of figures	19

List of tables

Table 1.	Pin Description	3
Table 2.	Absolute maximum ratings	4
Table 3.	Recommended operating conditions.	4
Table 4.	Thermal data.	4
Table 5.	Electrical characteristics	5
Table 6.	Isolation and safety-related specifications	7
Table 7.	Isolation characteristics.	7
Table 8.	Isolation voltage.	7
Table 9.	STGAP2GSN inputs truth table (applicable when device is not in UVLO or "safe state")	9
Table 10.	SO-8 package dimensions	13
Table 11.	Device summary	15
Table 12.	Document revision history	16

List of figures

Figure 1.	STGAP2GSN Block diagram	2
Figure 2.	STGAP2GSN Pin connection (top view).	3
Figure 3.	Power supply configuration for unipolar and bipolar gate driving	8
Figure 4.	Standby state sequences	9
Figure 5.	Typical application diagram - Positive gate driving	10
Figure 6.	Typical application diagram - Negative gate driving	10
Figure 7.	Half-bridge suggested PCB layout.	11
Figure 8.	Timings definition	12
Figure 9.	CMTI test circuit	12
Figure 10.	SO-8 mechanical data	14
Figure 11.	SO-8 suggested land pattern	14

IMPORTANT NOTICE – READ CAREFULLY

STMicroelectronics NV and its subsidiaries (“ST”) reserve the right to make changes, corrections, enhancements, modifications, and improvements to ST products and/or to this document at any time without notice. Purchasers should obtain the latest relevant information on ST products before placing orders. ST products are sold pursuant to ST’s terms and conditions of sale in place at the time of order acknowledgment.

Purchasers are solely responsible for the choice, selection, and use of ST products and ST assumes no liability for application assistance or the design of purchasers’ products.

No license, express or implied, to any intellectual property right is granted by ST herein.

Resale of ST products with provisions different from the information set forth herein shall void any warranty granted by ST for such product.

ST and the ST logo are trademarks of ST. For additional information about ST trademarks, refer to www.st.com/trademarks. All other product or service names are the property of their respective owners.

Information in this document supersedes and replaces information previously supplied in any prior versions of this document.

© 2022 STMicroelectronics – All rights reserved