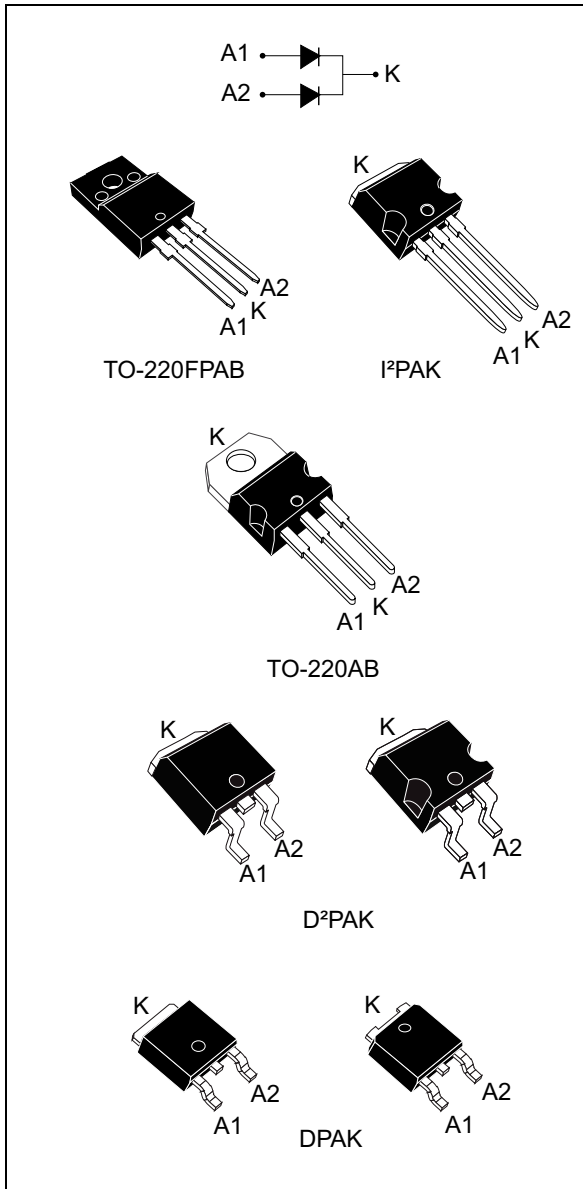


High efficiency ultrafast diode

Datasheet - production data



Features

- Suited for SMPS
- Low losses
- Low forward and reverse recovery times
- Insulated package: TO-220FPAB
 - Insulating voltage: 2000 V_{RMS} sine
- High junction temperature
- Low leakage current
- ECOPACK[®]2 compliant component for DPAK and D²PAK on demand

Description

Dual center tap rectifier suited for switch mode power supplies and high frequency DC to DC converters.

Packaged in DPAK, D²PAK, TO-220AB, I²PAK and TO-220FPAB, this device is intended for use in low voltage, high frequency inverters, free wheeling and polarity protection applications.

Table 1. Device summary

Symbol	Value
$I_{F(AV)}$	Up to 2 x 8 A
V_{RRM}	200 V
T_j (max)	175 °C
V_F (typ)	0.78 V
t_{rr} (typ)	20 ns

1 Characteristics

Table 2. Absolute ratings (limiting values per diode at 25 °C, unless otherwise specified)

Symbol	Parameter		Value	Unit	
V_{RRM}	Repetitive peak reverse voltage		200	V	
$I_{F(RMS)}$	Forward rms current	I^2 PAK, D ² PAK, TO-220AB, TO-220FPAB	20	A	
		DPAK	10		
$I_{F(AV)}$	Average forward current $\delta = 0.5$, square wave	I^2 PAK, DPAK, D ² PAK, TO-220AB	$T_c = 155\text{ °C}$ Per diode	5	A
			$T_c = 150\text{ °C}$ Per device	10	
			$T_c = 135\text{ °C}$ Per diode	8	
			$T_c = 125\text{ °C}$ Per device	16	
		TO-220FPAB	$T_c = 140\text{ °C}$ Per diode	5	
			$T_c = 120\text{ °C}$ Per device	10	
			$T_c = 110\text{ °C}$ Per diode	8	
			$T_c = 75\text{ °C}$ Per device	16	
I_{FSM}	Surge non repetitive forward current	$t_p = 10\text{ ms}$ sinusoidal	50	A	
T_{stg}	Storage temperature range		-65 to +175	°C	
T_j	Maximum operating junction temperature		175	°C	

Table 3. Thermal parameter

Symbol	Parameter		Max. value	Unit	
$R_{th(j-c)}$	Junction to case	I^2 PAK, DPAK, D ² PAK, TO-220AB	Per diode	4.0	°C/W
			Per device	2.5	
		TO-220FPAB	Per diode	6.5	
			Per device	5.0	
$R_{th(c)}$	Coupling	I^2 PAK, DPAK, D ² PAK, TO-220AB	1.0		
		TO-220FPAB	3.5		

When the diodes 1 and 2 are used simultaneously:

$$\Delta T_j (\text{diode1}) = P(\text{diode1}) \times R_{th(j-c)} (\text{per diode}) + P(\text{diode2}) \times R_{th(c)}$$

Table 4. Static electrical characteristics (per diode)

Symbol	Parameter	Test conditions		Min.	Typ.	Max.	Unit
$I_R^{(1)}$	Reverse leakage current	$T_j = 25\text{ °C}$	$V_R = V_{RRM}$	-		5	μA
		$T_j = 125\text{ °C}$		-	3	40	
$V_F^{(2)}$	Forward voltage drop	$T_j = 25\text{ °C}$	$I_F = 5\text{ A}$	-		1.10	V
			$I_F = 10\text{ A}$	-		1.25	
		$T_j = 150\text{ °C}$	$I_F = 5\text{ A}$	-	0.78	0.89	
			$I_F = 10\text{ A}$	-		1.05	

1. Pulse test: $t_p = 5\text{ ms}$, $\delta < 2\%$

2. Pulse test: $t_p = 380\text{ }\mu\text{s}$, $\delta < 2\%$

To evaluate the conduction losses, use the following equation:

$$P = 0.73 \times I_{F(AV)} + 0.032 \times I_{F(RMS)}^2$$

Table 5. Dynamic electrical characteristics (per diode)

Symbol	Parameter	Test conditions		Min.	Typ.	Max.	Unit
t_{rr}	Reverse recovery time	$T_j = 25\text{ °C}$	$I_F = 1\text{ A}$ $V_R = 30\text{ V}$ $dI_F/dt = 100\text{ A}/\mu\text{s}$	-	20	25	ns
I_{RM}	Reverse recovery current	$T_j = 125\text{ °C}$	$I_F = 5\text{ A}$ $V_R = 160\text{ V}$ $dI_F/dt = 200\text{ A}/\mu\text{s}$	-	5.9	7.6	A
t_{fr}	Forward recovery time	$T_j = 25\text{ °C}$	$I_F = 5\text{ A}$ $V_{FR} = 1.1 \times V_{Fmax}$ $dI_F/dt = 100\text{ A}/\mu\text{s}$	-		110	ns
V_{FP}	Forward recovery voltage		$I_F = 5\text{ A}$ $dI_F/dt = 100\text{ A}/\mu\text{s}$	-	2.4		V

Figure 1. Peak current versus duty cycle (per diode)

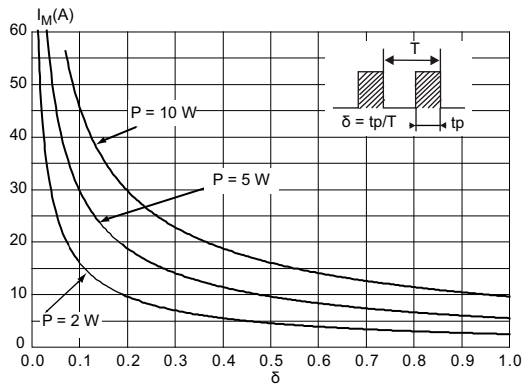


Figure 2. Forward voltage drop versus forward current (typical values, per diode)

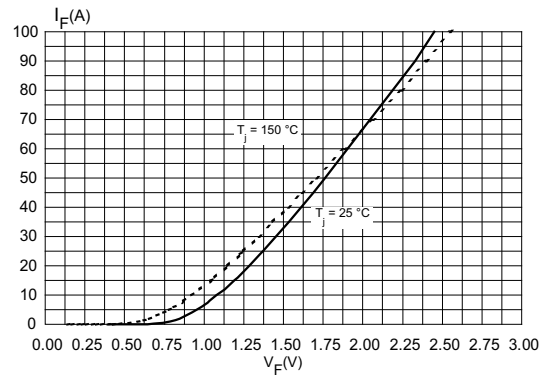


Figure 3. Forward voltage drop versus forward current (maximum values, per diode)

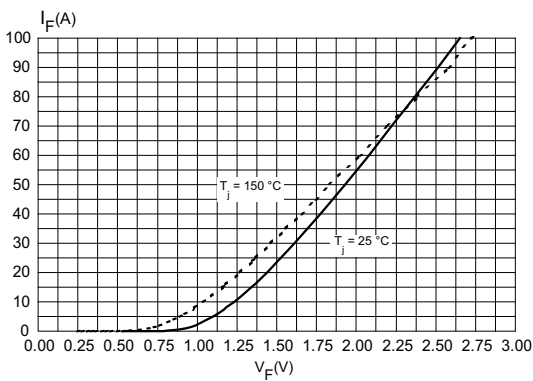


Figure 4. Relative variation of thermal impedance junction to case versus pulse duration

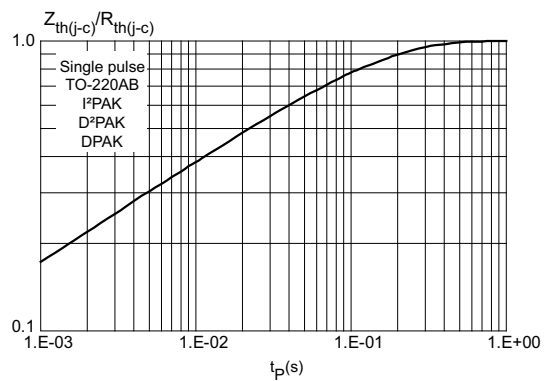


Figure 5. Relative variation of thermal impedance junction to case versus pulse duration

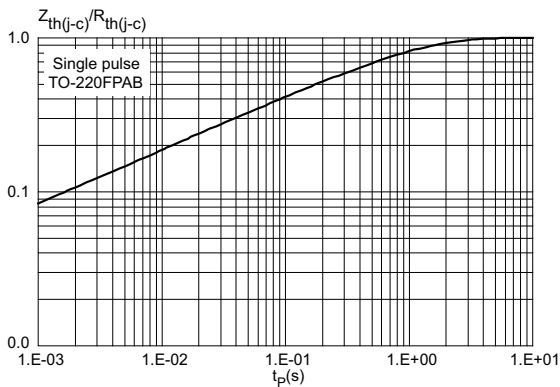


Figure 6. Junction capacitance versus reverse voltage applied (typical values, per diode)

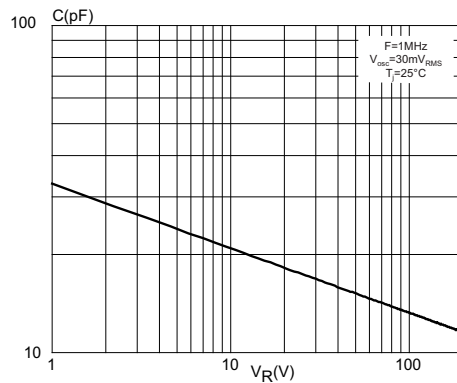


Figure 7. Reverse recovery charges versus di_F/dt (typical values, per diode)

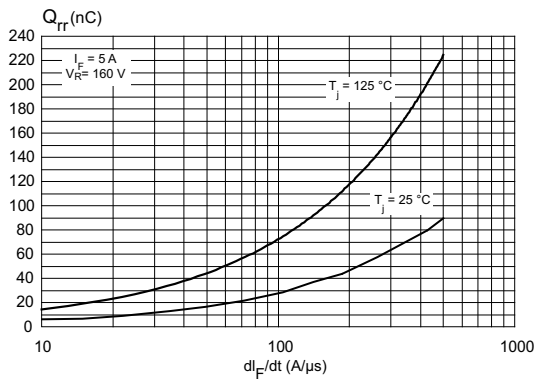


Figure 8. Reverse recovery time versus di_F/dt (typical values, per diode)

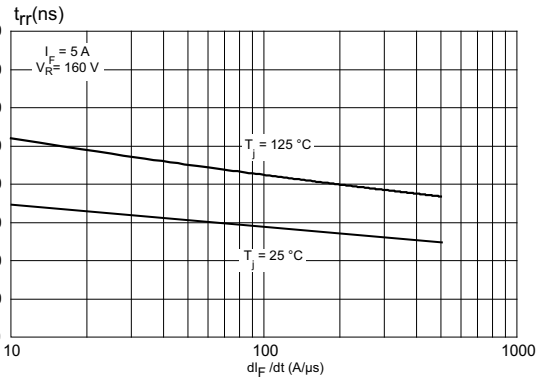


Figure 9. Peak reverse recovery current versus di_F/dt (typical values, per diode)

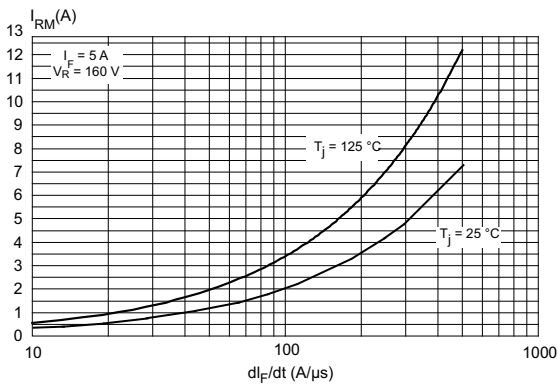


Figure 10. Dynamic parameters versus junction temperature (reference: $T_j = 125^\circ\text{C}$)

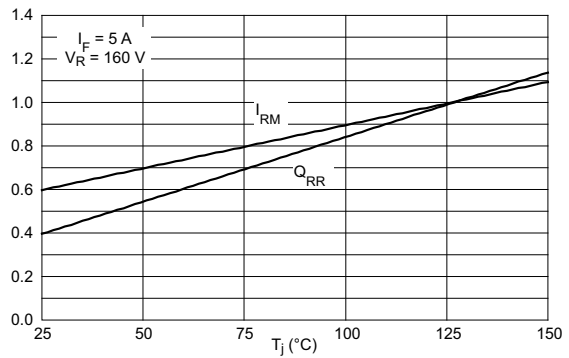


Figure 11. Thermal resistance junction to ambient versus copper surface under tab

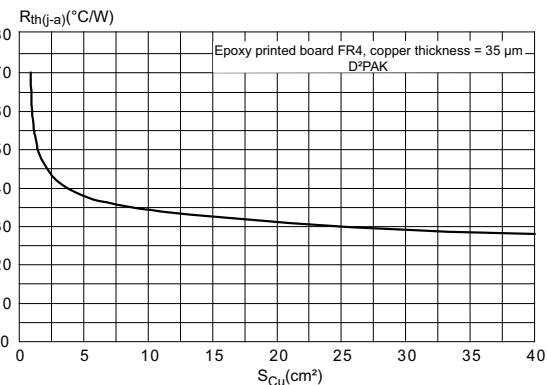
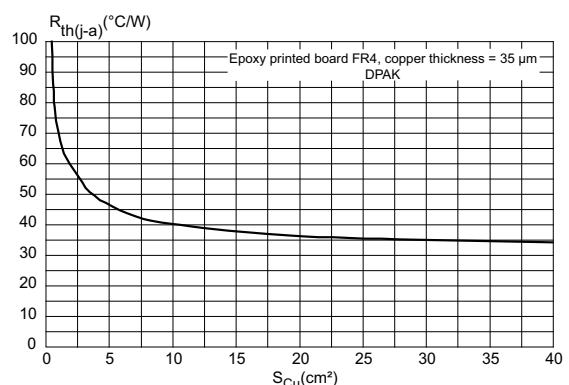


Figure 12. Thermal resistance junction to ambient versus copper surface under tab



2 Package information

- Epoxy meets UL94, V0
- Cooling method: by conduction (C)
- Recommended torque value: 0.55 N·m for TO-220AB and TO-220FPAB
- Maximum torque value: 0.7 N·m for TO-220AB and TO-220FPAB

In order to meet environmental requirements, ST offers these devices in different grades of ECOPACK® packages, depending on their level of environmental compliance. ECOPACK® specifications, grade definitions and product status are available at: www.st.com. ECOPACK® is an ST trademark.

2.1 TO-220AB package information

Figure 13. TO-220AB package outline

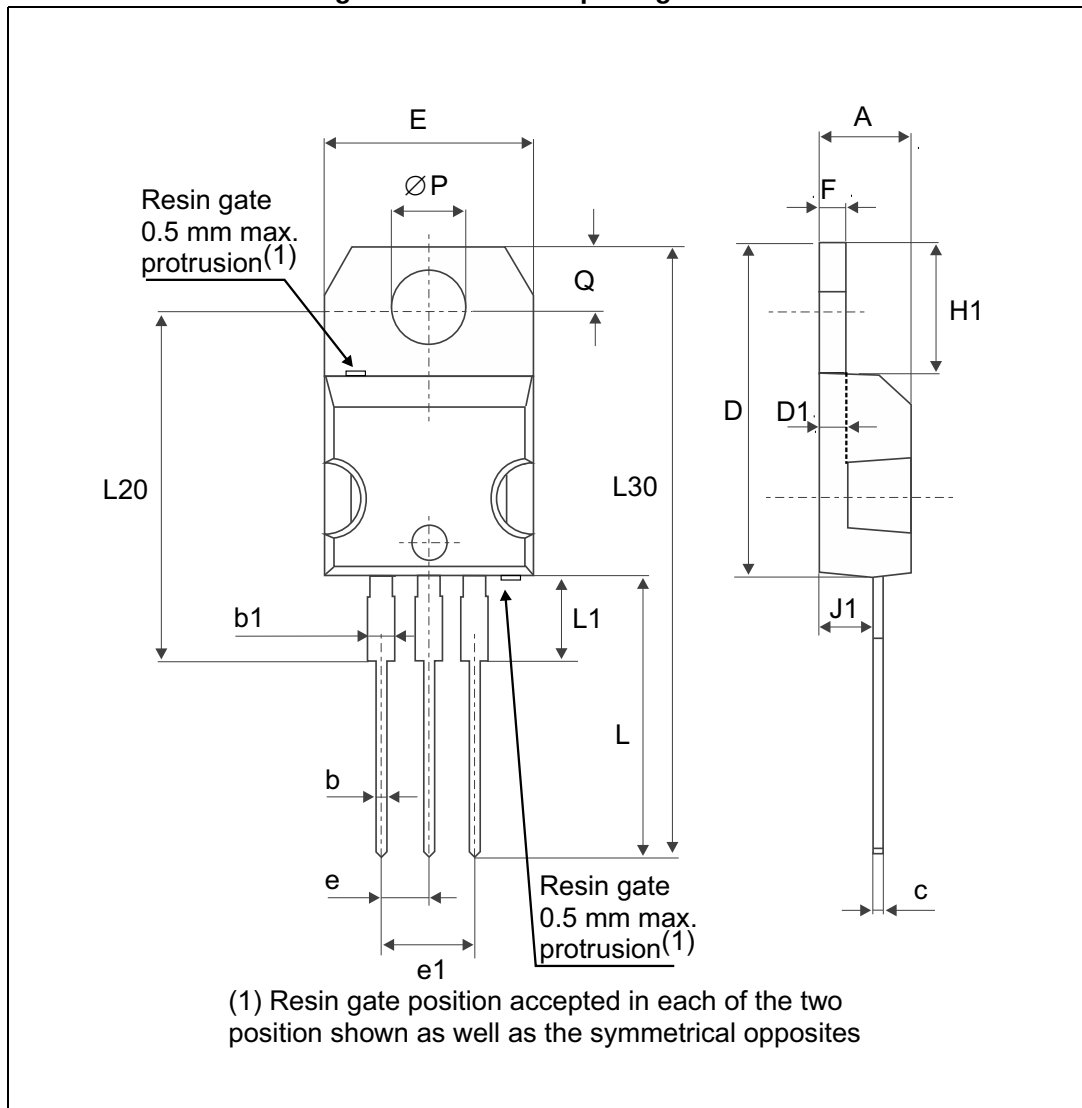


Table 6. TO-220AB package mechanical data

Ref.	Dimensions			
	Millimeters		Inches	
	Min.	Max.	Min.	Max.
A	4.40	4.60	0.170	0.181
b	0.61	0.88	0.024	0.035
b1	1.14	1.70	0.045	0.067
c	0.48	0.70	0.019	0.027
D	15.25	15.75	0.600	0.620
D1	1.27 typ.		0.050 typ.	
E	10.00	10.40	0.393	0.41
e	2.40	2.70	0.094	0.106
e1	4.95	5.15	0.194	0.202
F	1.23	1.32	0.048	0.052
H1	6.20	6.60	0.244	0.259
J1	2.40	2.72	0.094	0.107
L	13.00	14.00	0.511	0.551
L1	3.50	3.93	0.137	0.154
L20	16.40 typ.		0.645 typ.	
L30	28.90 typ.		1.137 typ.	
∅P	3.75	3.85	0.147	0.151
Q	2.65	2.95	0.104	0.116

2.2 TO-220FPAB package information

Figure 14. TO-220FPAB package outline

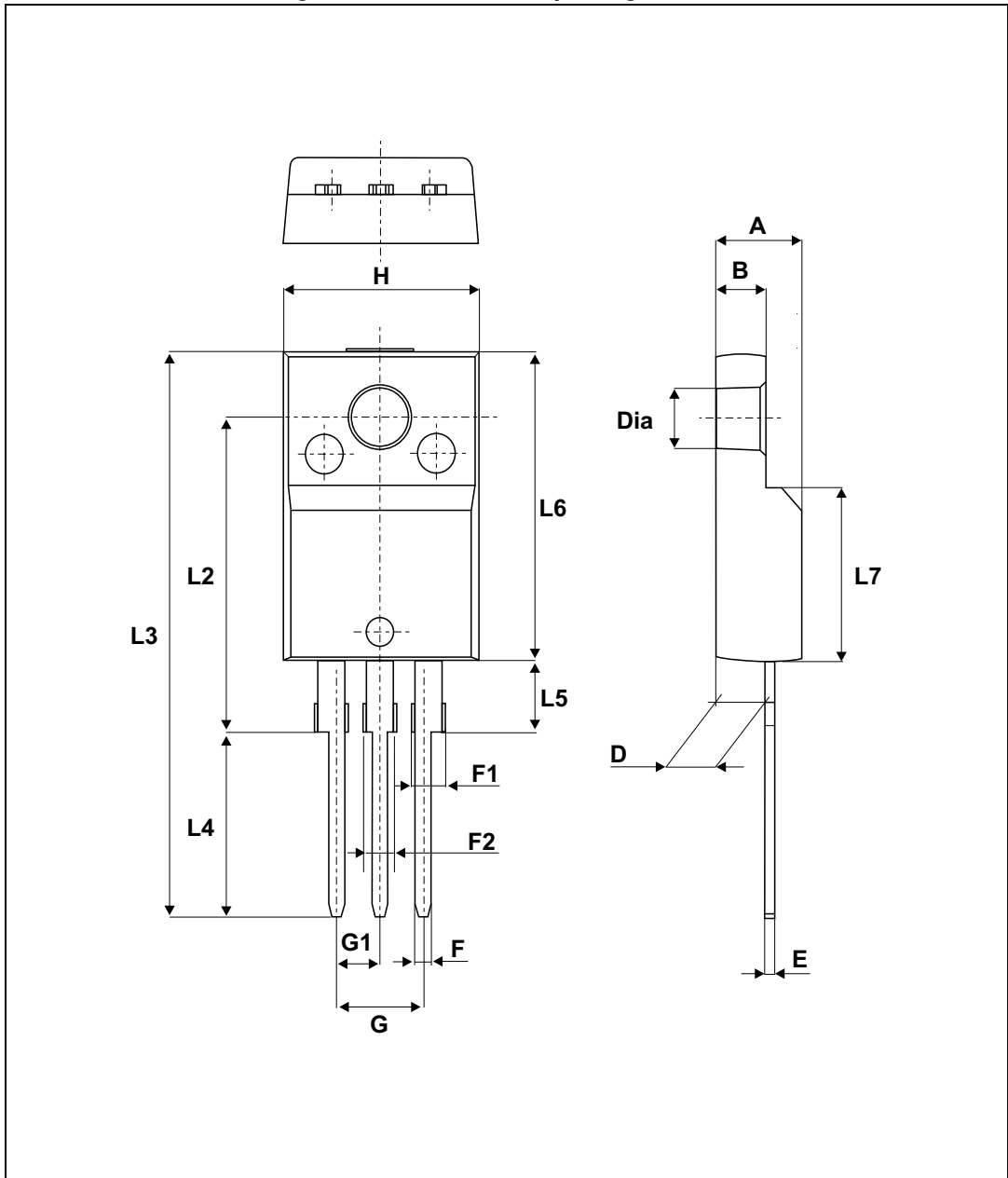
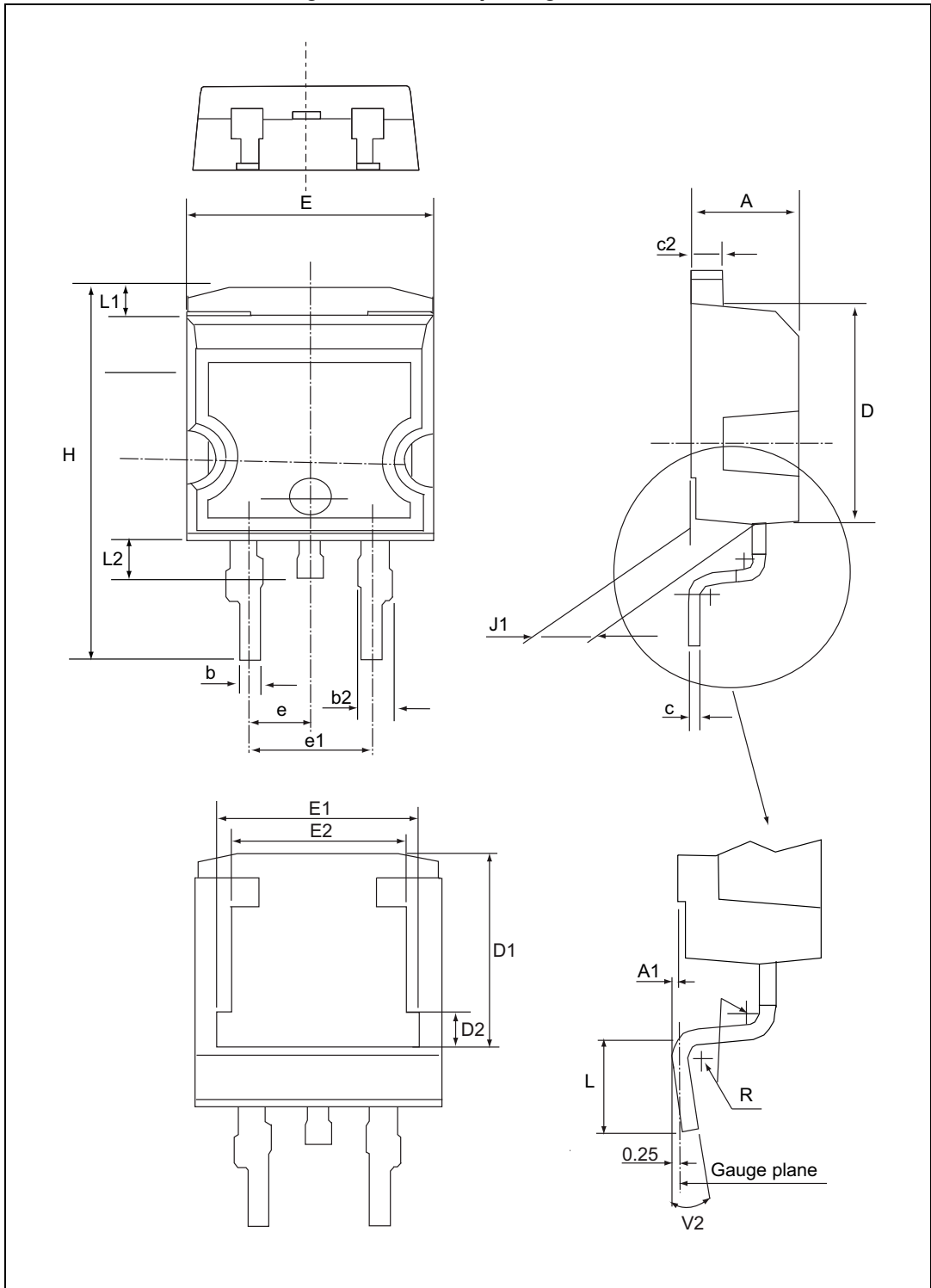


Table 7. TO-220FPAB package mechanical data

Ref.	Dimensions			
	Millimeters		Inches	
	Min.	Max.	Min.	Max.
A	4.40	4.60	0.173	0.181
B	2.50	2.70	0.098	0.106
D	2.50	2.75	0.098	0.108
E	0.45	0.70	0.018	0.027
F	0.75	1.00	0.030	0.039
F1	1.15	1.70	0.045	0.067
F2	1.15	1.70	0.045	0.067
G	4.95	5.20	0.195	0.205
G1	2.40	2.70	0.094	0.106
H	10.00	10.40	0.393	0.409
L2	16.00 Typ.		0.630 Typ.	
L3	28.60	30.60	1.126	1.205
L4	9.80	10.60	0.386	0.417
L5	2.90	3.60	0.114	0.142
L6	15.90	16.40	0.626	0.646
L7	9.00	9.30	0.354	0.366
Dia.	3.00	3.20	0.118	0.126

2.3 D²PAK package information

Figure 15. D²PAK package outline

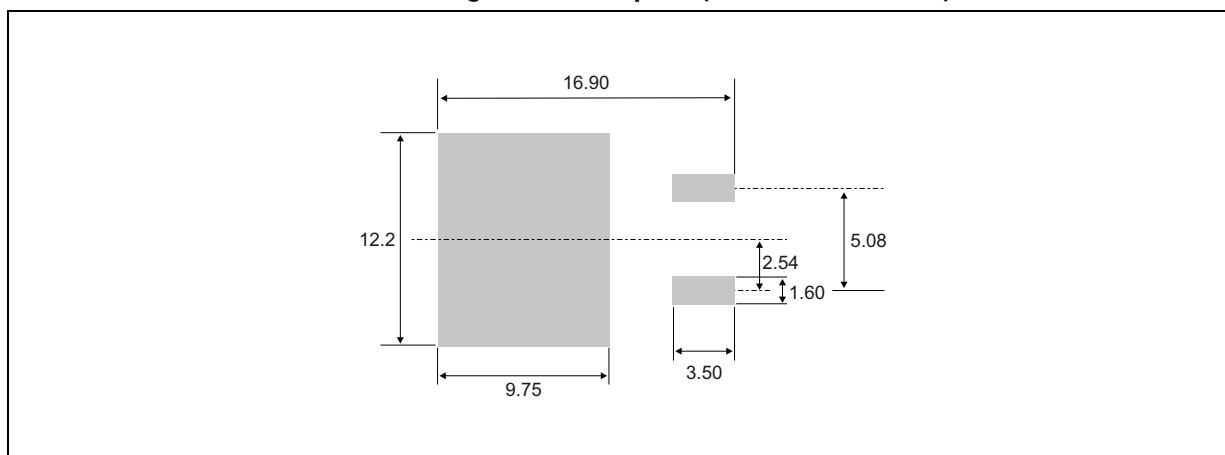


Note: This package drawing may slightly differ from the physical package. However, all the specified dimensions are guaranteed.

Table 8. D²PAK package mechanical data

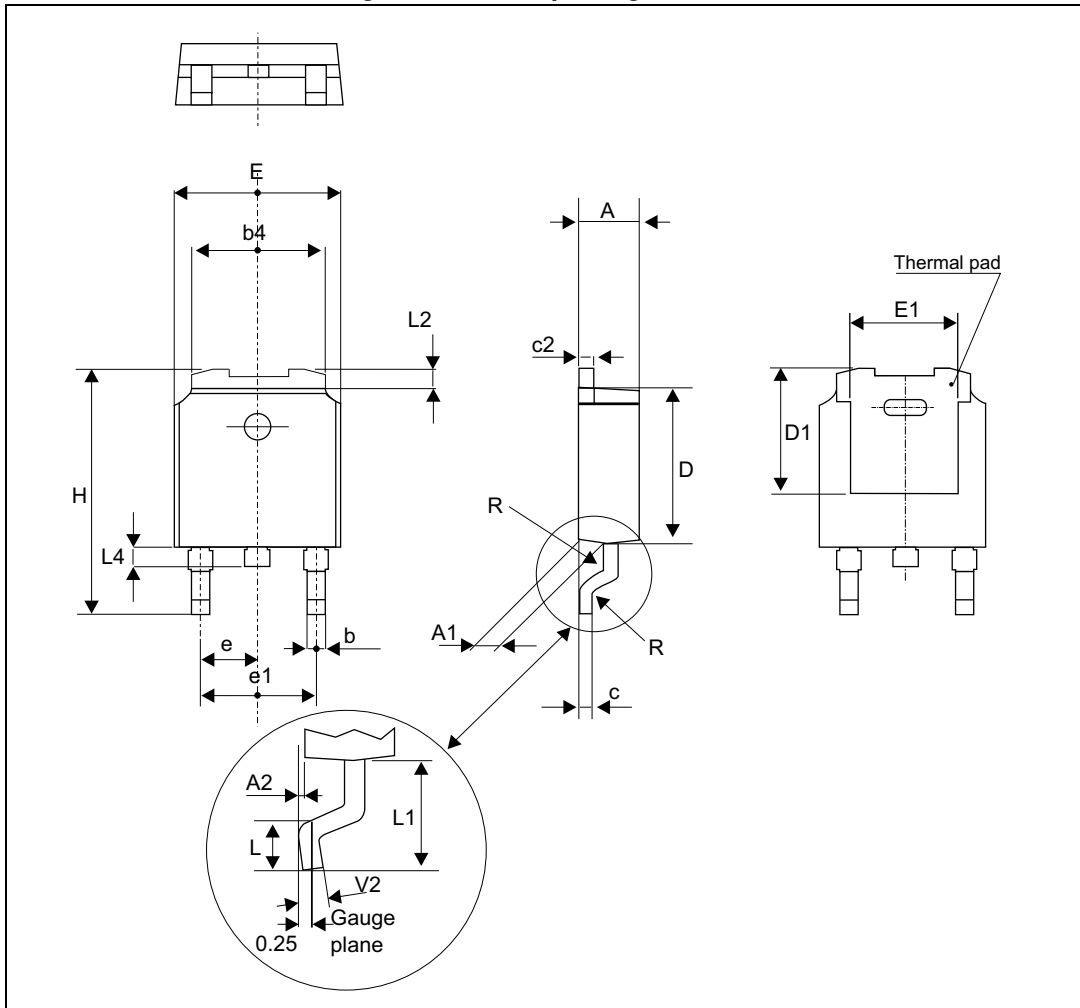
Ref.	Dimensions					
	Millimeters			Inches		
	Min.	Typ.	Max.	Min.	Typ.	Max.
A	4.36		4.60	0.171		0.181
A1	0		0.25			0.010
b	0.70		0.93	0.027		0.037
b2	1.14		1.70	0.045		0.067
c	0.38		0.69	0.014		0.027
c2	1.19		1.36	0.046		0.053
D	8.60		9.35	0.338		0.368
D1	6.90		8.00	0.271		0.315
D2	1.10		1.50	0.043		0.060
E	10.00		10.55	0.393		0.415
E1	8.10		8.90	0.318		0.350
E2	6.85		7.25	0.269		0.285
e		2.54			0.100	
e1	4.88		5.28	0.192		0.208
H	15.00		15.85	0.590		0.624
J1	2.49		2.90	0.098		0.114
L	1.90		2.79	0.074		0.110
L1	1.27		1.65	0.050		0.065
L2	1.30		1.78	0.051		0.070
R		0.40		0.016		
V2	0°		8°	0°		8°

Figure 16. Footprint (dimensions in mm)



2.4 DPAK package information

Figure 17. DPAK package outline

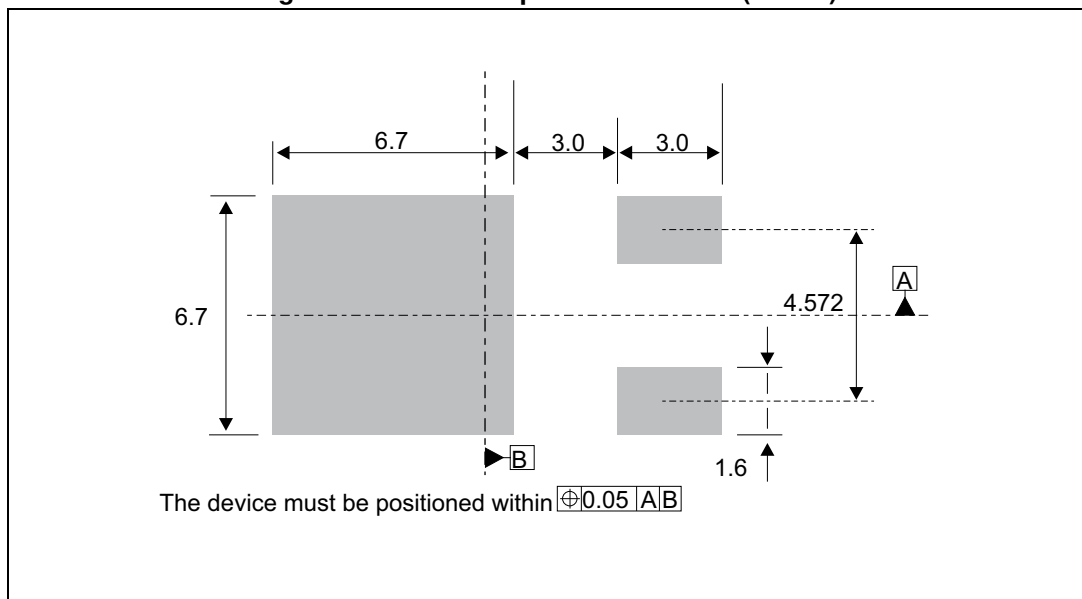


Note: This package drawing may slightly differ from the physical package. However, all the specified dimensions are guaranteed.

Table 9. DPAK package mechanical data

Ref.	Dimensions					
	Millimeters			Inches		
	Min.	Typ.	Max.	Min.	Typ.	Max.
A	2.18		2.40	0.085		0.094
A1	0.90		1.10	0.035		0.043
A2	0.03		0.23	0.001		0.009
b	0.64		0.90	0.025		0.035
b4	4.95		5.46	0.194		0.214
c	0.46		0.61	0.018		0.024
c2	0.46		0.60	0.018		0.023
D	5.97		6.22	0.235		0.244
D1	4.95		5.60	0.194		0.220
E	6.35		6.73	0.250		0.264
E1	4.32		5.50	0.170		0.216
e		2.28			0.090	
e1	4.40		4.70	0.173		0.185
H	9.35		10.40	0.368		0.409
L	1.00		1.78	0.039		0.070
L2			1.27			0.050
L4	0.60		1.02	0.023		0.040
V2	-8°		+8°	-8°		8°

Figure 18. DPAK footprint dimensions (in mm)



2.5 I²PAK package information

Figure 19. I²PAK package outline

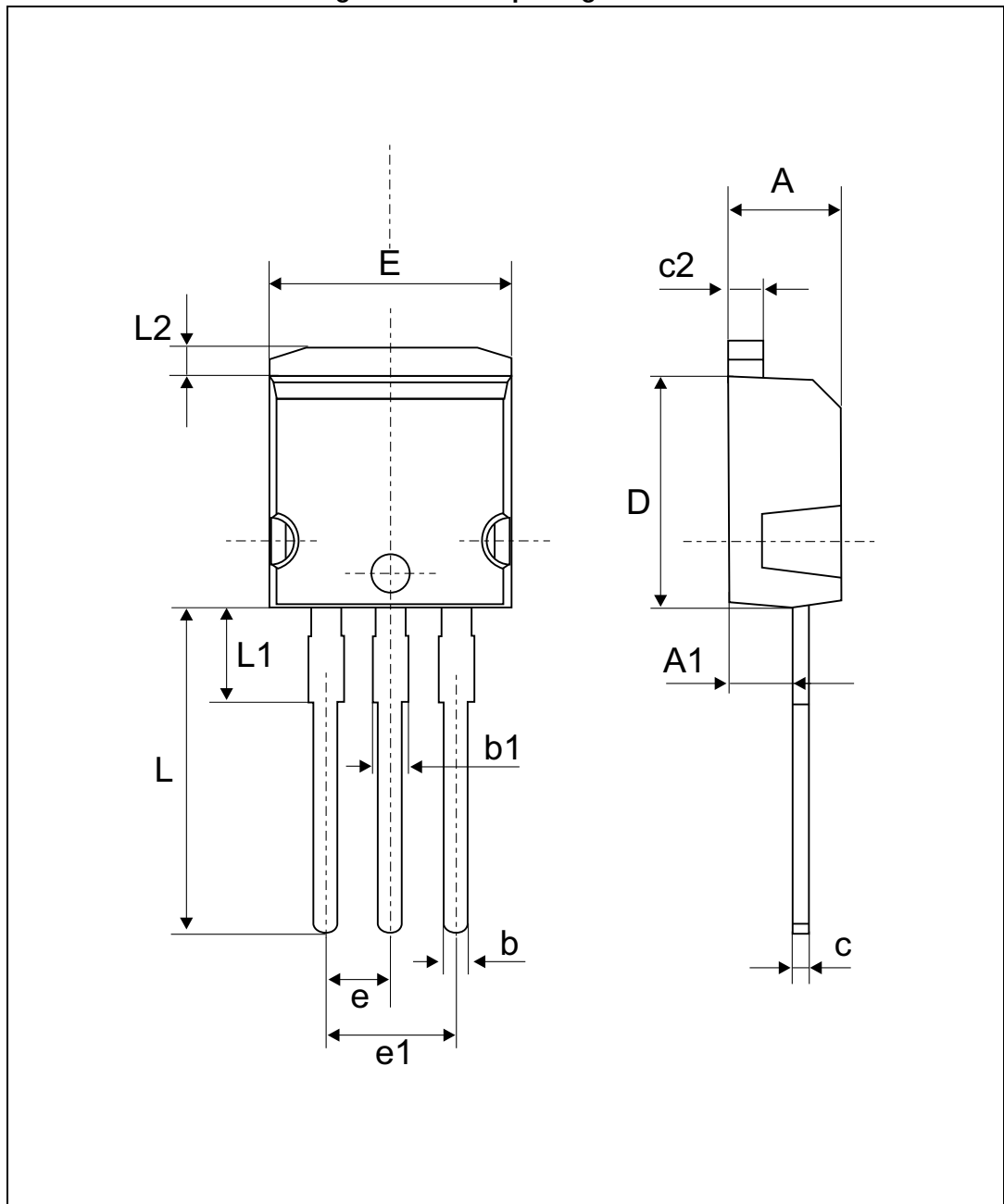


Table 10. I²PAK package mechanical data

Ref.	Dimensions			
	Millimeters		Inches	
	Min.	Max.	Min.	Max.
A	4.40	4.60	0.173	0.181
A1	2.40	2.72	0.094	0.107
b	0.61	0.88	0.024	0.035
b1	1.14	1.70	0.044	0.067
c	0.49	0.70	0.019	0.028
c2	1.23	1.32	0.048	0.052
D	8.95	9.35	0.352	0.368
e	2.40	2.70	0.094	0.106
e1	4.95	5.15	0.195	0.203
E	10.00	10.40	0.394	0.409
L	13.00	14.00	0.512	0.551
L1	3.50	3.93	0.138	0.155
L2	1.27	1.40	0.050	0.055

3 Ordering information

Table 11. Ordering information

Order code	Marking	Package	Weight	Base qty	Delivery mode
STTH1002CB	STTH1 002CB	DPAK	0.32 g	75	Tube
STTH1002CB-TR	STTH1 002CB	DPAK	0.32 g	2500	Tape and reel
STTH1002CT	STTH1002CT	TO-220AB	1.9 g	50	Tube
STTH1002CG-TR	STTH1002CG	D ² PAK	1.38 g	1000	Tape and reel
STTH1002CR	STTH1002CR	I ² PAK	1.5 g	50	Tube
STTH1002CFP	STTH1002CFP	TO-220FPAB	1.9 g	50	Tube

4 Revision history

Table 12. Document revision history

Date	Revision	Changes
Mar-2004	4	Last issue.
22-Mar-2013	5	Updated Table 7.
05-Jan-2015	6	Updated DPAK and D ² PAK package information.
24-Apr-2015	7	Updated Figure 15.
20-Sep-2016	8	Updated DPAK package information and reformatted to current standard.

IMPORTANT NOTICE – PLEASE READ CAREFULLY

STMicroelectronics NV and its subsidiaries ("ST") reserve the right to make changes, corrections, enhancements, modifications, and improvements to ST products and/or to this document at any time without notice. Purchasers should obtain the latest relevant information on ST products before placing orders. ST products are sold pursuant to ST's terms and conditions of sale in place at the time of order acknowledgement.

Purchasers are solely responsible for the choice, selection, and use of ST products and ST assumes no liability for application assistance or the design of Purchasers' products.

No license, express or implied, to any intellectual property right is granted by ST herein.

Resale of ST products with provisions different from the information set forth herein shall void any warranty granted by ST for such product.

ST and the ST logo are trademarks of ST. All other product or service names are the property of their respective owners.

Information in this document supersedes and replaces information previously supplied in any prior versions of this document.

© 2016 STMicroelectronics – All rights reserved