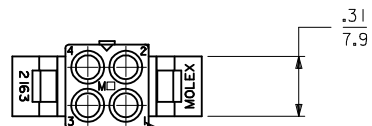
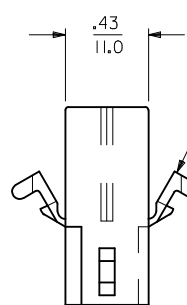


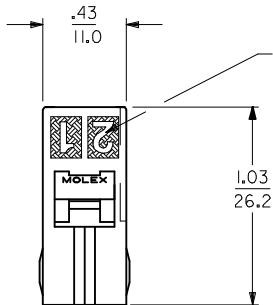
RECEPTACLE



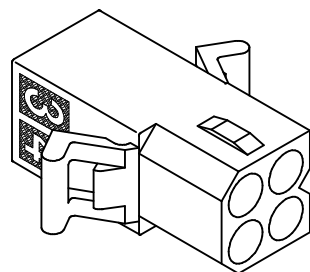
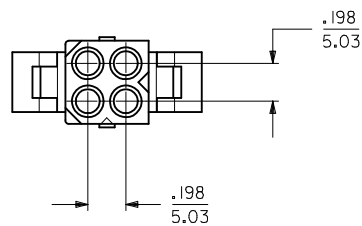
CIRCUIT NUMBERS



MOUNTING EAR
(WHEN SPECIFIED)
SEE DETAIL B

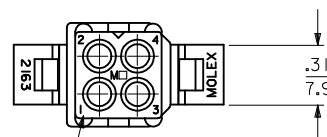


CIRCUIT I.D.
(4 PL.)

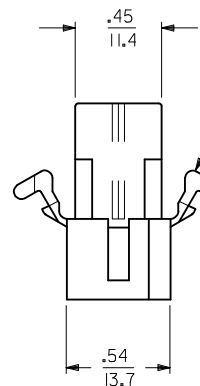


SHOWN WITH PREBENT MOUNTING EAR

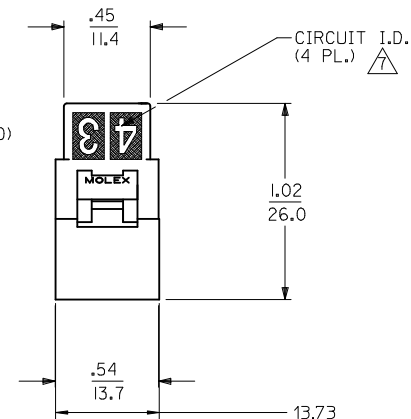
PLUG



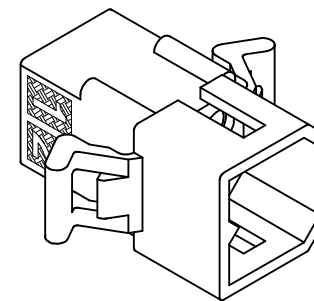
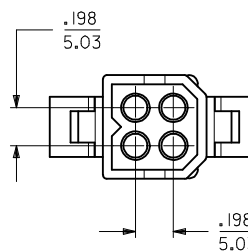
CIRCUIT NUMBERS



MOUNTING EAR
(WHEN SPECIFIED)
SEE DETAIL B



CIRCUIT I.D.
(4 PL.)



SHOWN WITH PREBENT MOUNTING EAR

<p>REMOVE OBSOLETE EC NO: UCP2016-2183 DRAWN:KIPPER 2015/12/10 CHKD:JBELL 2015/12/10 APPR:FSMITH 2015/12/23</p>	QUALITY SYMBOLS	GENERAL TOLERANCES (UNLESS SPECIFIED)	DIMENSION STYLE	SCALE	DESIGN UNITS	THIRD ANGLE PROJECTION	
	▽=0	mm INCH	IN/MM	2:1	INCH		
	▽=0	4 PLACES ± --- ± --- 3 PLACES ± --- ± .010 2 PLACES ± 0.25 ± .014 1 PLACE ± 0.35 ± --- 0 PLACE ± --- ± ---	DRAWN BY DATE KBW 02/03/89	TITLE	.093/(2.36) HOUSINGS PLUG & RECEPTACLE 4 CKT., .198/(5.03) CL		
	▽=0	ANGULAR ± --- °	CHECKED BY DATE RW 02/03/89	<p>molex</p>			
REV	DESCRIPTION	DRAFT WHERE APPLICABLE MUST REMAIN WITHIN DIMENSIONS	APPROVED BY DATE FSMITH 2014/06/23	MATERIAL NO.	DOCUMENT NO.	SHEET NO.	
J2			SEE CHART		SD-2163-*	1 OF 2	
			<p>THIS DRAWING CONTAINS INFORMATION THAT IS PROPRIETARY TO MOLEX INCORPORATED AND SHOULD NOT BE USED WITHOUT WRITTEN PERMISSION</p>				

PLUG	
ORDER NO	ENG NO
03-09-2049	2163-P1
46999-0652	2163-P2

RECEPTACLE	
ORDER NO	ENG NO
03-09-1049	2163-R1
03-09-6049	2163-R1BK
46999-0653	2163-R2

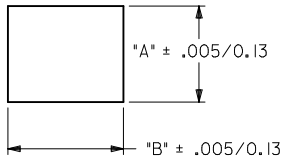
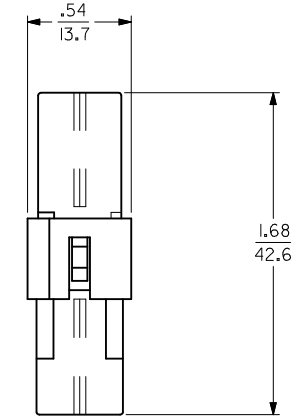
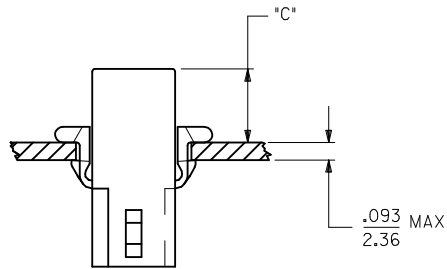
LEGEND:

2163-****

P = PLUG
R = RECEPTACLE

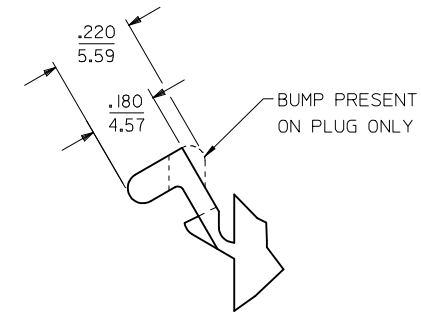
BLANK = OBSOLETE
1 = WITHOUT EARS
2 = WITH PREBENT EARS
3 = OBSOLETE
4 = OBSOLETE

COLOR:
BLANK = NATURAL COLOR
AM = AMBER BK = BLACK BU = BLUE
BN = BROWN GY = GRAY GN = GREEN
OR = ORANGE RD = RED YW = YELLOW
UV = BLACK UV RESISTANT



RECOMMENDED PANEL OPENING

HOUSING	DIM. "A"	DIM. "B"	"C" PREBENT EAR
PLUG	.555/14.10	.695/17.65	.42/10.7
RECEPT.	.500/12.70	.600/15.24	.40/10.2



DETAIL B

.093/(2.36) PREBENT MOUNTING EAR
(SCALE 4:1)

NOTES:

- MATERIAL: NYLON 6/6 (PA), UL 94V-2.
- FINISH: NONE.
- PRODUCT SPECIFICATION: PS-02-09 APPLIES.
- PARTS TO BE PACKAGED PER PK-2163-001
- MATES WITH: SERIES 2163.
- ACCEPTS MOLEX .093 SERIES TERMINALS.
- CIRCUIT I.D. NUMBERS ON HOUSING APPEAR ON PARTS FROM TOOLS BUILT AFTER 7/22/91.
- PARTS CONFORM TO CLASS B REQUIREMENTS OF COSMETIC SPECIFICATION PS-45499-002

SEE SHEET 1 EC NO: UCP2016-2183 DRW:MK/PPER 2015/12/10 CHKD:JBELL 2015/12/10 APPR:FSMITH 2015/12/23	DESCRIPTION J2	QUALITY SYMBOLS	GENERAL TOLERANCES (UNLESS SPECIFIED)	DIMENSION STYLE	SCALE	DESIGN UNITS	THIRD ANGLE PROJECTION	
			mm INCH	IN/MM	2:1	INCH		
		▽=0	4 PLACES ± --- ± ---	DRAWN BY DATE	TITLE	.093/(2.36) HOUSINGS PLUG & RECEPTACLE 4 CKT., .198/(5.03) CL molex	DOCUMENT NO. SD-2163-*	SHEET NO. 2 OF 2
		▽=0	3 PLACES ± --- ± .010	CHECKED BY DATE				
▽=0	2 PLACES ± 0.25 ± .014	APPROVED BY DATE						
	1 PLACE ± 0.35 ± ---	FSMITH 2014/06/23						
		0 PLACE ± --- ± ---	ANGULAR ± --- °	SEE CHART				
			DRAFT WHERE APPLICABLE MUST REMAIN WITHIN DIMENSIONS	THIS DRAWING CONTAINS INFORMATION THAT IS PROPRIETARY TO MOLEX INCORPORATED AND SHOULD NOT BE USED WITHOUT WRITTEN PERMISSION				