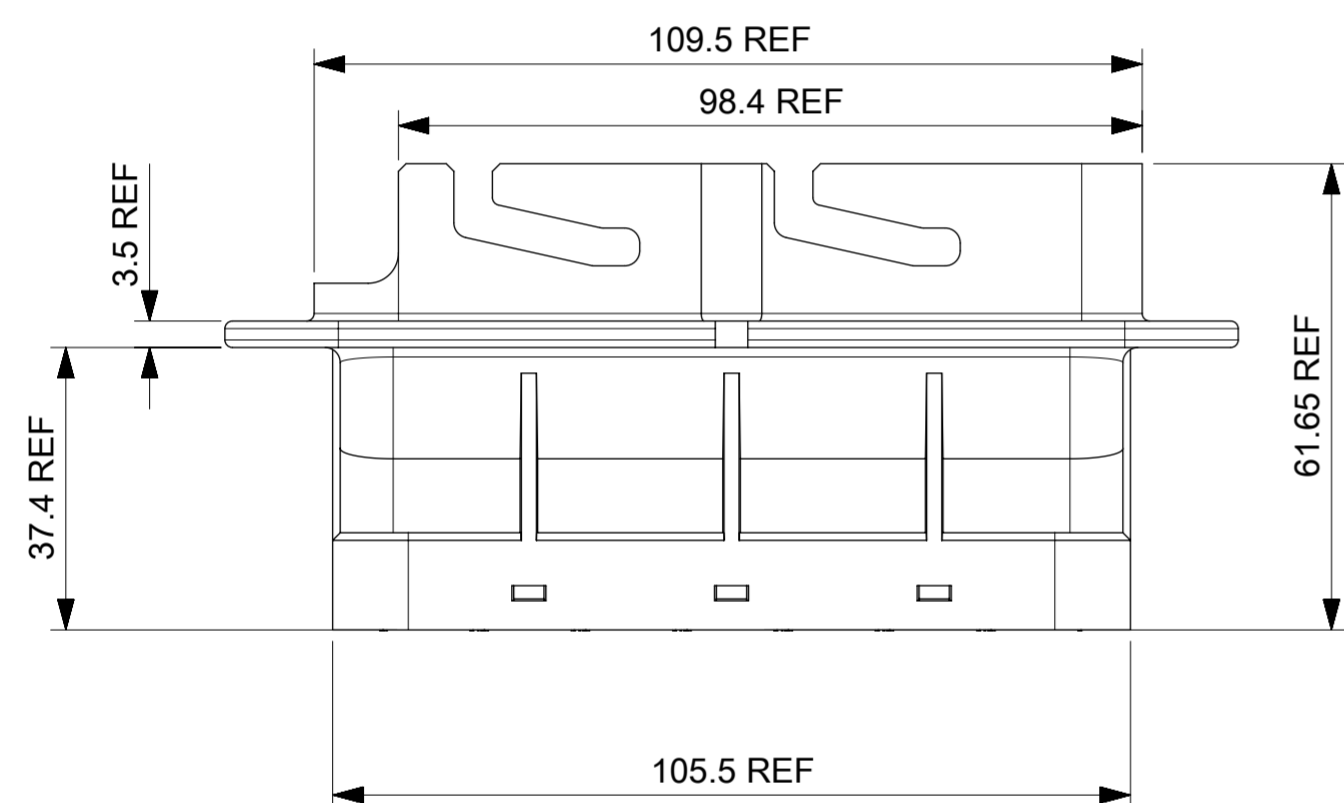
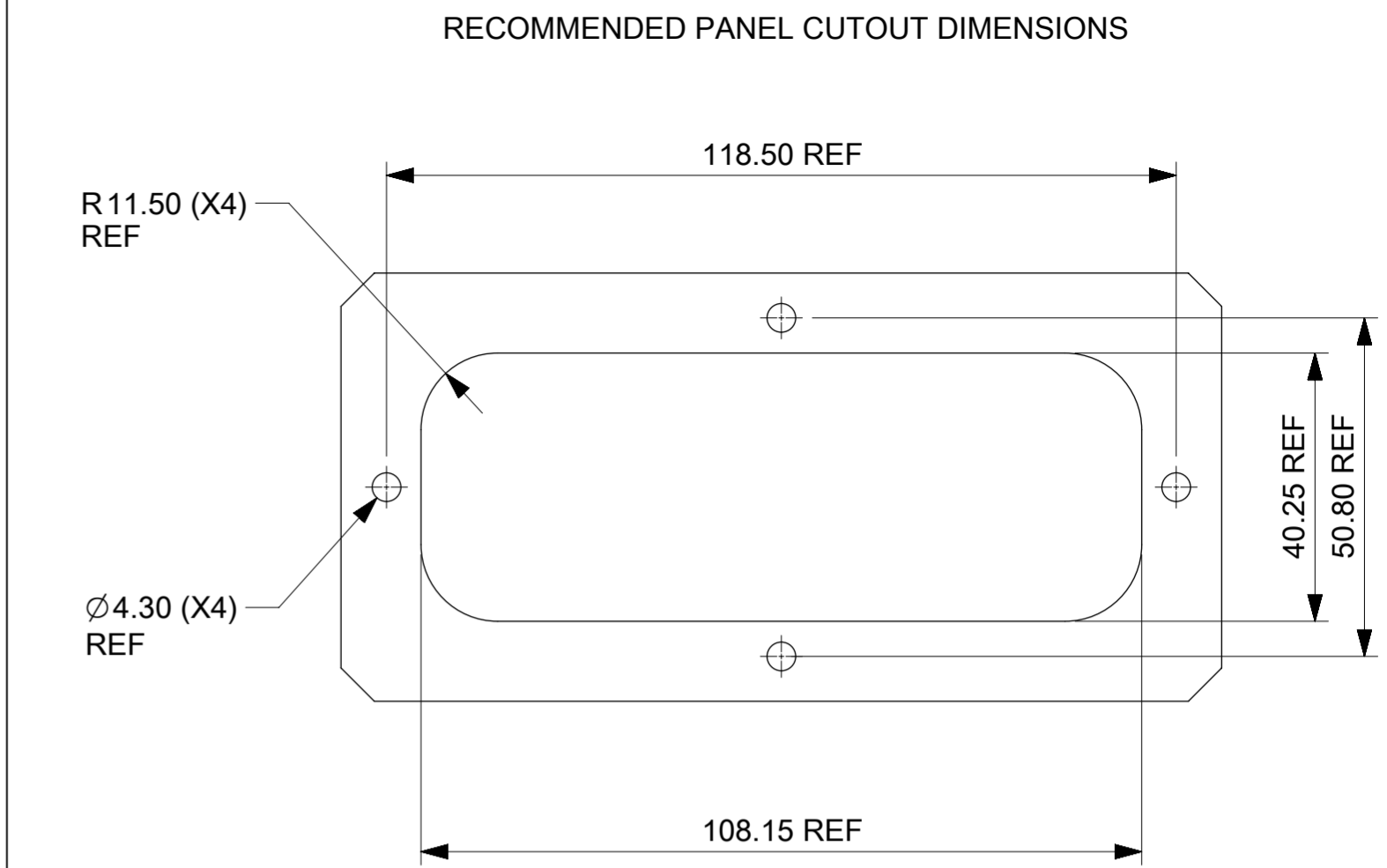
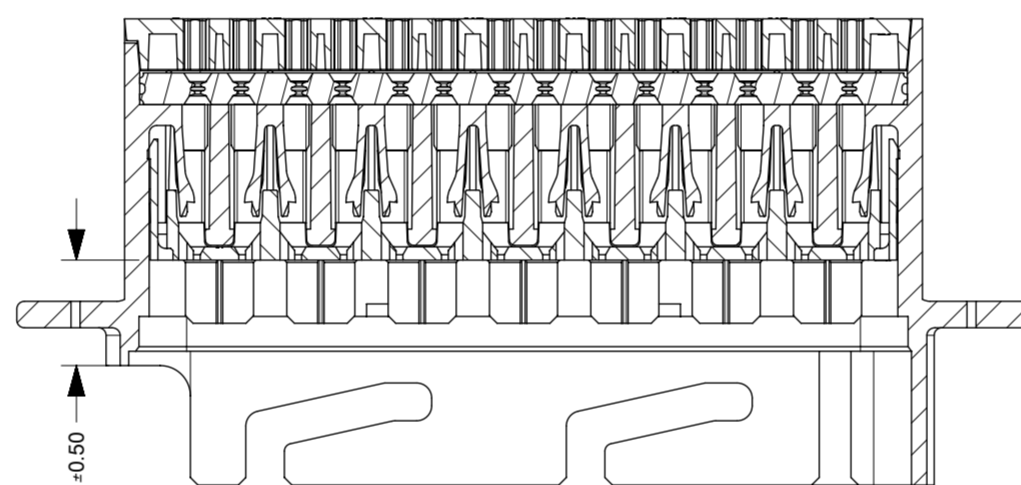


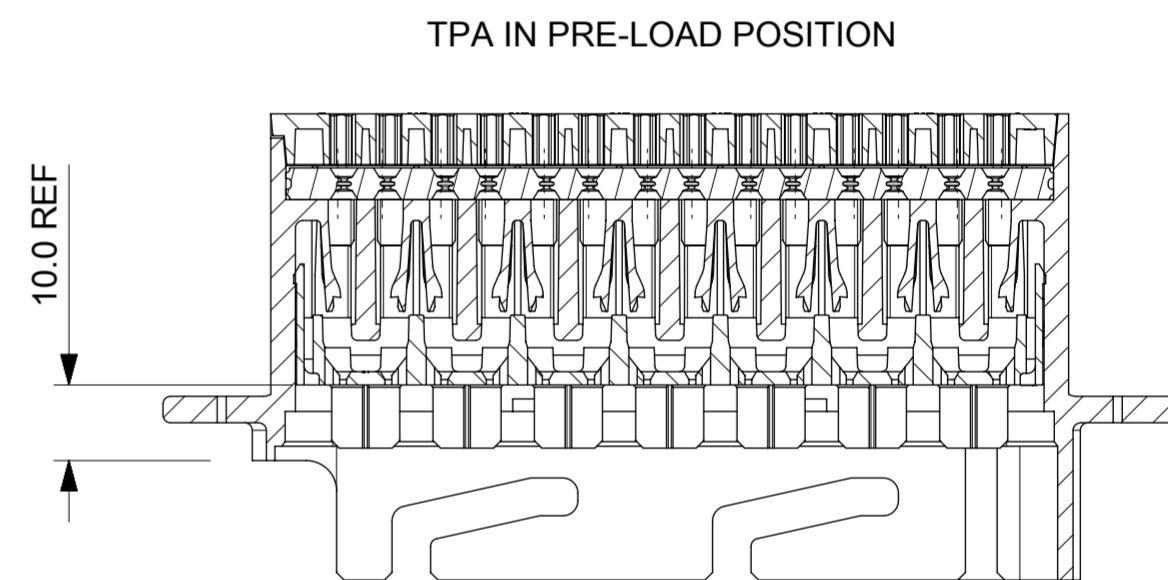
SECTION A-A



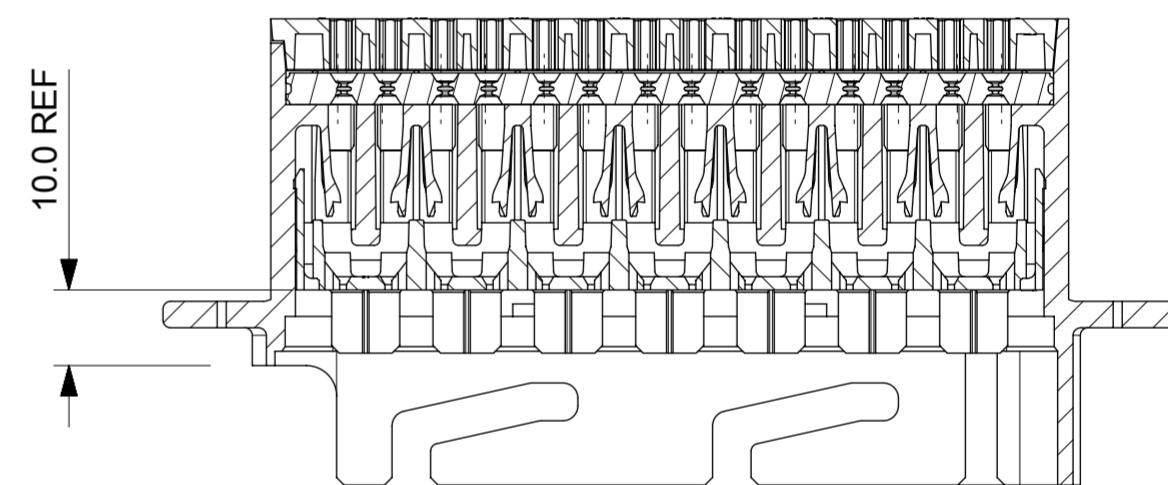
TPA IN CLOSED (AS SHIPPED) POSITION



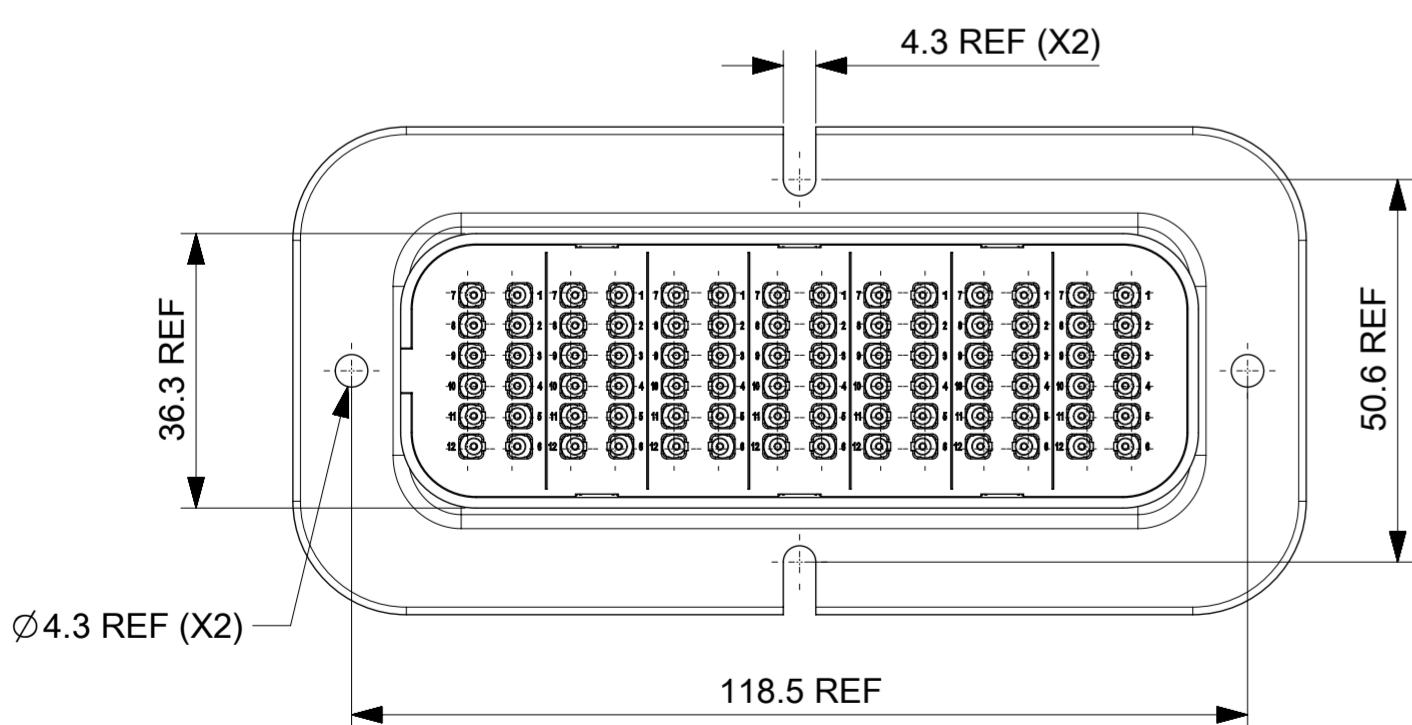
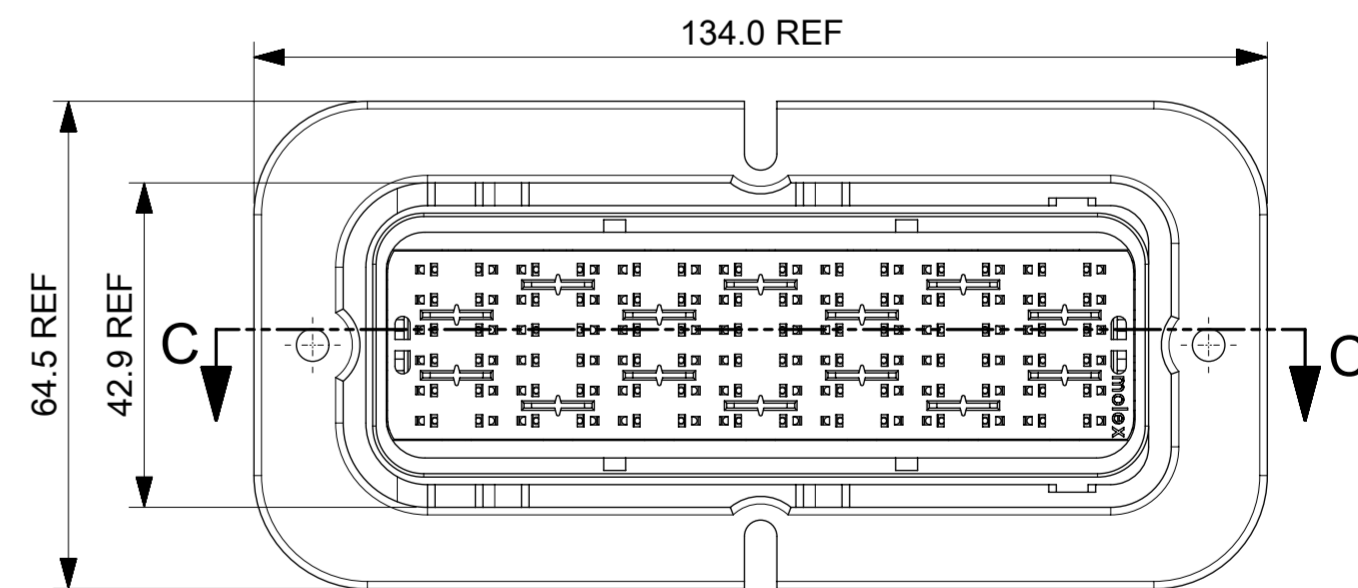
SECTION B-B



TPA IN PRE-LOAD POSITION



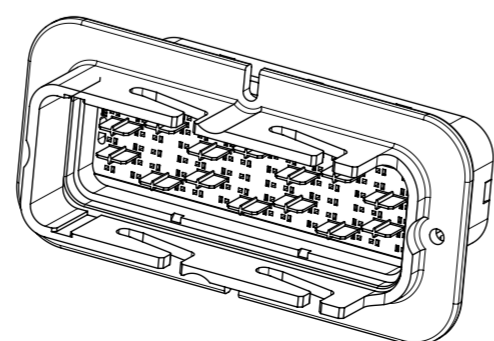
SECTION C-C



NOTES:

1. MATERIALS:
HOUSINGS: SPS/NYLON BLEND, GLASS FILLED, UL 94 HB
SEAL: SILICONE RUBBER
2. MX150 BLADE TERMINALS PER SD-33000-001 TO BE USED WITH THIS ASSEMBLY IN CAVITIES A, B, C, D, E, F, & G, CRIMPED WITH CABLE INSULATION OUTER DIAMETER IN THE RANGE 1.5mm TO 2.7mm
3. PRODUCT SPECIFICATION: 850830010 PSP
4. PACKAGING SPECIFICATION: 850710010 PSK
5. MATES WITH: SRC 84 WAY RECEPTACLE HOUSING ASSEMBLY PART NUMBER 932870001 PER 932870001 PSD
6. APPLICATION SPECIFICATION: 850830010 PSA
7. FLANGE GASKET OPTION: REFER TO 850710017 PSD

INSPECTION NUMBERS RESERVED FOR SHEET 1: 1-50
LAST INSPECTION NUMBER USED: 1



No.	DESCRIPTION	QTY.	COLOUR
4	MALE BACK SEAL	1	RUST RED
3	MALE REAR COVER	1	BLACK
2	MALE FRONT COVER (TPA)	1	GREEN
1	MALE HOUSING	1	BLACK

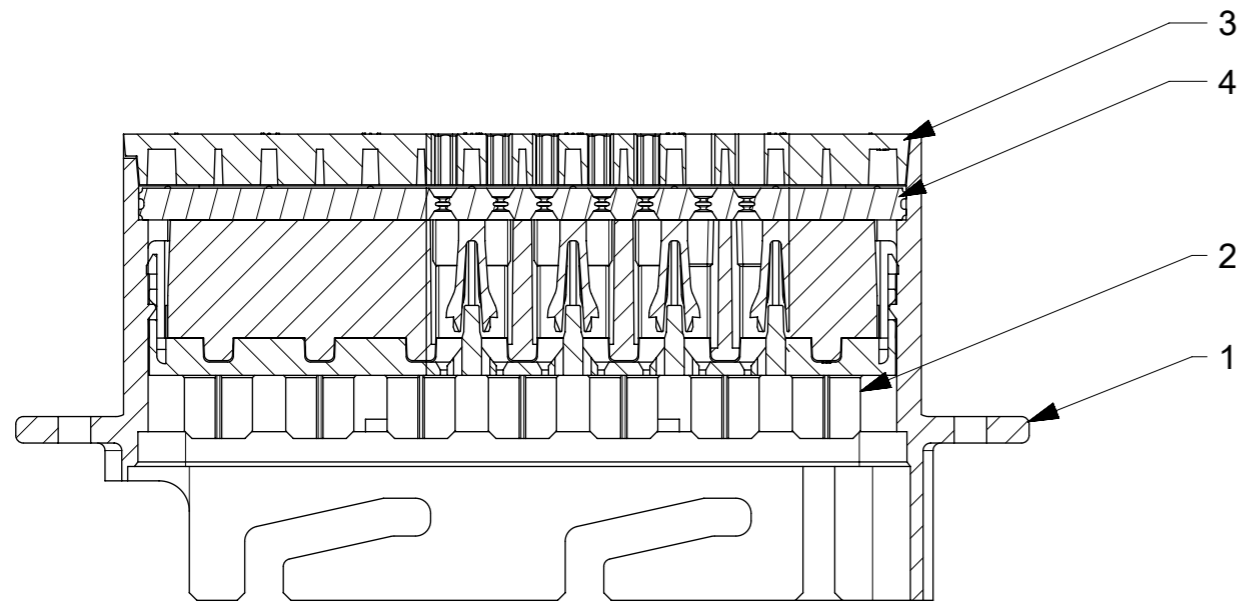
BILL OF MATERIAL

QUALITY SYMBOLS	THIS DRAWING CONTAINS INFORMATION THAT IS PROPRIETARY TO MOLEX ELECTRONIC TECHNOLOGIES, LLC AND SHOULD NOT BE USED WITHOUT WRITTEN PERMISSION		GENERAL TOLERANCES (UNLESS SPECIFIED)		DIMENSION UNITS	SCALE
▽ = 0	2016/01/21	2016/01/26	mm		mm	1:1
▽ = 0	DRWN BY: AJOBRIEN	DATE: 2016/01/21	ANGULAR TOL ± 0.5 °		DRWN BY: AJOBRIEN	DATE: 2016/01/21
▽ = 0	CHKD: JDWALLACE	DATE: 2016/01/26	4 PLACES ±		CHK'D BY: SMCGREVY	DATE: 2016/01/26
▽ = 0	REPLACE SD-93288-001		3 PLACES ±		APPR BY: JDWALLACE	DATE: 2016/01/26
▽ = 0	EC NO: 102579		2 PLACES ± 0.2		DRAWING SIZE: A2	THIRD ANGLE PROJECTION
▽ = 0	DRWN: AJOBRIEN		1 PLACE ± 0.5			
▽ = 0	CHKD: JDWALLACE		0 PLACES ±			
▽ = 0	APPR: JDWALLACE		DRAFT WHERE APPLICABLE MUST REMAIN WITHIN DIMENSIONS			
□ = 0						
▽ = 0						

SRC MALE 84 WAY / 84 WAY 2.5 BLADE HOUSING ASSEMBLY

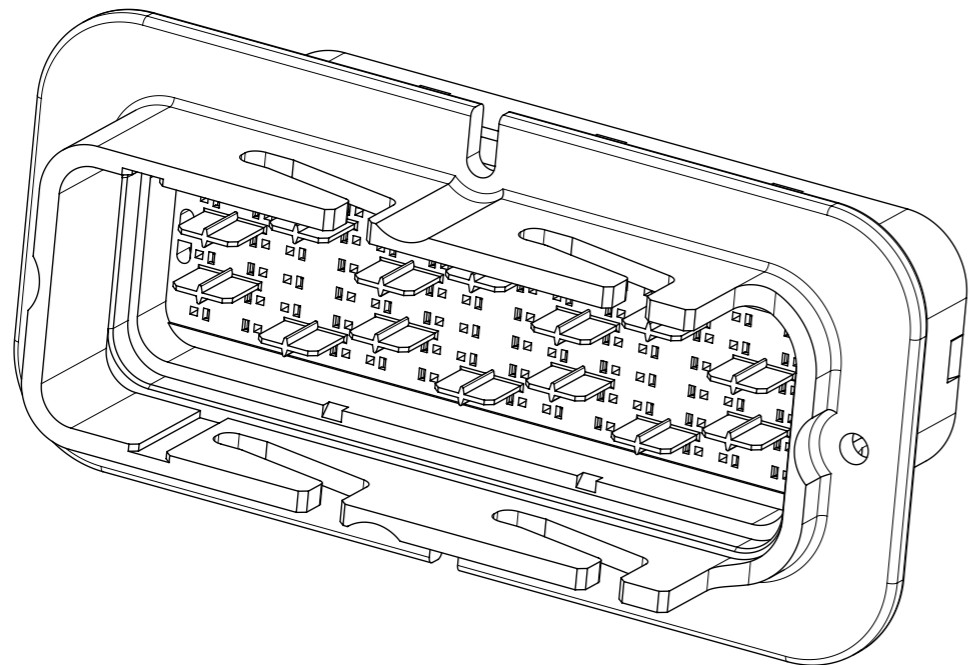
PRODUCT CUSTOMER DRAWING

SERIES: 93288	MATERIAL NUMBER: SEE NOTES	CUSTOMER: GENERAL MARKET
DOCUMENT NUMBER: 932880001	DOC TYPE: PSD	DOC PART: 000
SHEET NUMBER: 1 OF 2		



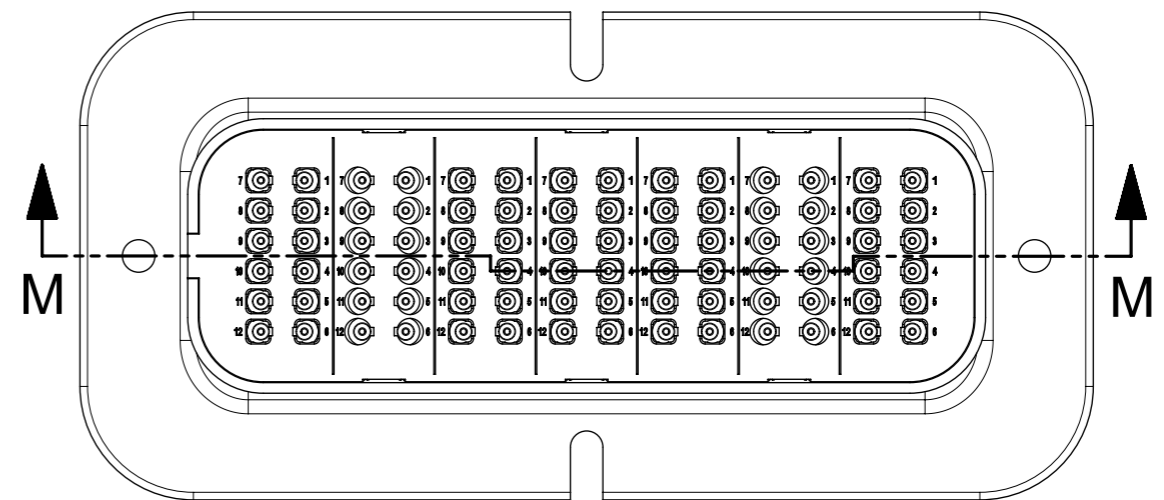
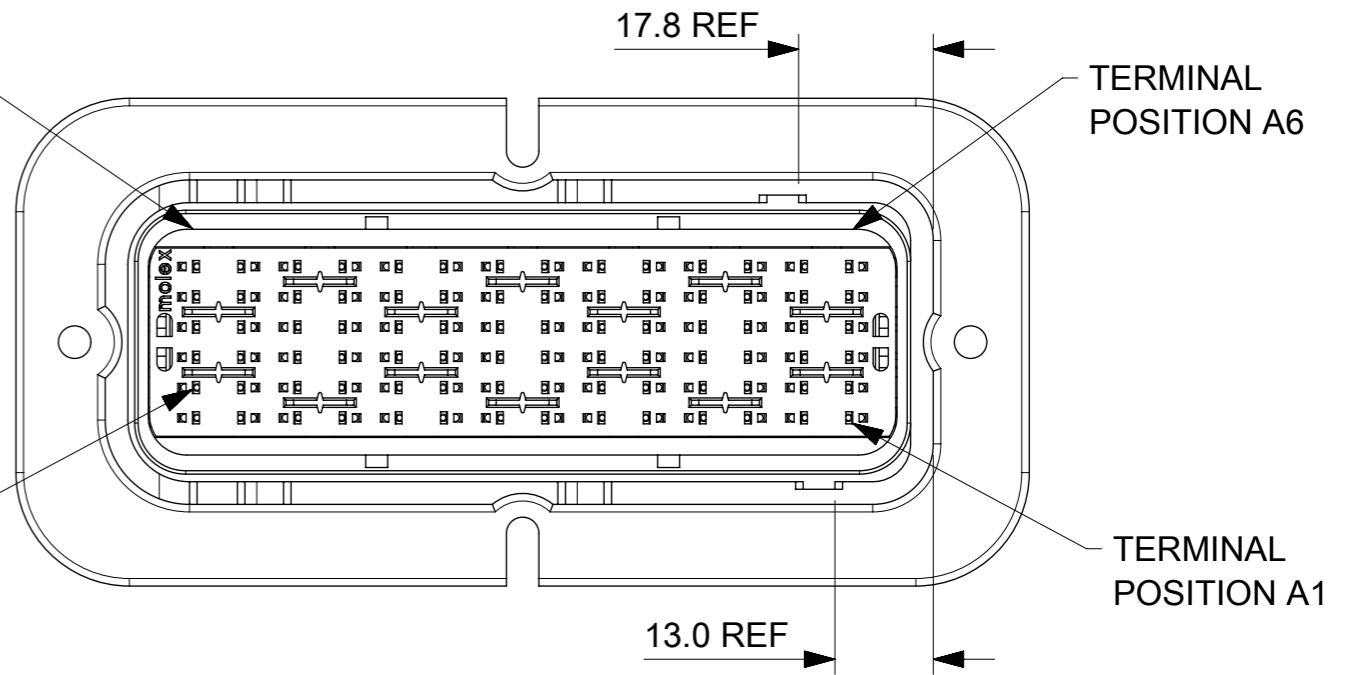
SECTION M-M

4	MALE BACK SEAL	1	RUST RED
3	MALE REAR COVER	1	BLACK
2	MALE FRONT COVER (TPA)	1	GREEN
1	MALE HOUSING	1	BLACK
No.	DESCRIPTION	QTY.	COLOUR
BILL OF MATERIAL			



3
4
2
1

TERMINAL POSITION G12



NOTES:

1. REFERENCE SHEET 1 FOR UNSPECIFIED NOTES AND DIMENSIONS
2. MX150 BLADE TERMINALS PER SD-33000-001 TO BE USED WITH THIS ASSEMBLY IN CAVITIES A, C, D, E & G, CRIMPED WITH CABLE INSULATION OUTER DIAMETER IN THE RANGE 1.5mm TO 2.7mm
3. SRC BLADE TERMINALS PER 936420010 PSD MAY BE USED WITH THIS ASSEMBLY IN CAVITIES B AND F, CRIMPED WITH 2.5mm² (13AWG) CABLE INSULATION OUTER DIAMETER IN THE RANGE 2.7mm TO 3.0mm
4. MATES WITH: SRC2 84 WAY 2.5 RECEPTACLE HOUSING ASSEMBLY PART NUMBER 932878425 PER 932870001 PSD

QUALITY SYMBOLS ▽ = 0 ▽ = 0 ▽ = 0 ▼ = 0 ▽ = 0 ⊗ = 0 ■ = 0 ▽ = 0	THIS DRAWING CONTAINS INFORMATION THAT IS PROPRIETARY TO MOLEX ELECTRONIC TECHNOLOGIES, LLC AND SHOULD NOT BE USED WITHOUT WRITTEN PERMISSION											
	REPLACE SD-93288-001 EC NO: 102579 DRWN: AJOBRIEN CHK'D: JDWALLACE APPR: JDWALLACE	2016/01/21	2016/01/26	2016/01/26	GENERAL TOLERANCES (UNLESS SPECIFIED)		DIMENSION UNITS	SCALE	molex			
					ANGULAR TOL ± 0.5 °		mm	1:1				
		4 PLACES	±	AJOBRIEN		DATE	2016/01/21		SRC MALE 84 WAY / 84 WAY 2.5 BLADE HOUSING ASSEMBLY			
		3 PLACES	±	CHK'D BY		DATE	SMCGREEVY					
		2 PLACES	± 0.2	APPR BY		DATE	JDWALLACE 2016/01/26		PRODUCT CUSTOMER DRAWING			
	1 PLACE	± 0.5	DRAWING SIZE		THIRD ANGLE PROJECTION		SERIES	MATERIAL NUMBER	CUSTOMER			
	0 PLACES	±	A3				93288	SEE NOTES	GENERAL MARKET			
	DRAFT WHERE APPLICABLE MUST REMAIN WITHIN DIMENSIONS						DOCUMENT NUMBER		DOC TYPE	DOC PART	SHEET NUMBER	
							932880001		PSD	000	2 OF 2	