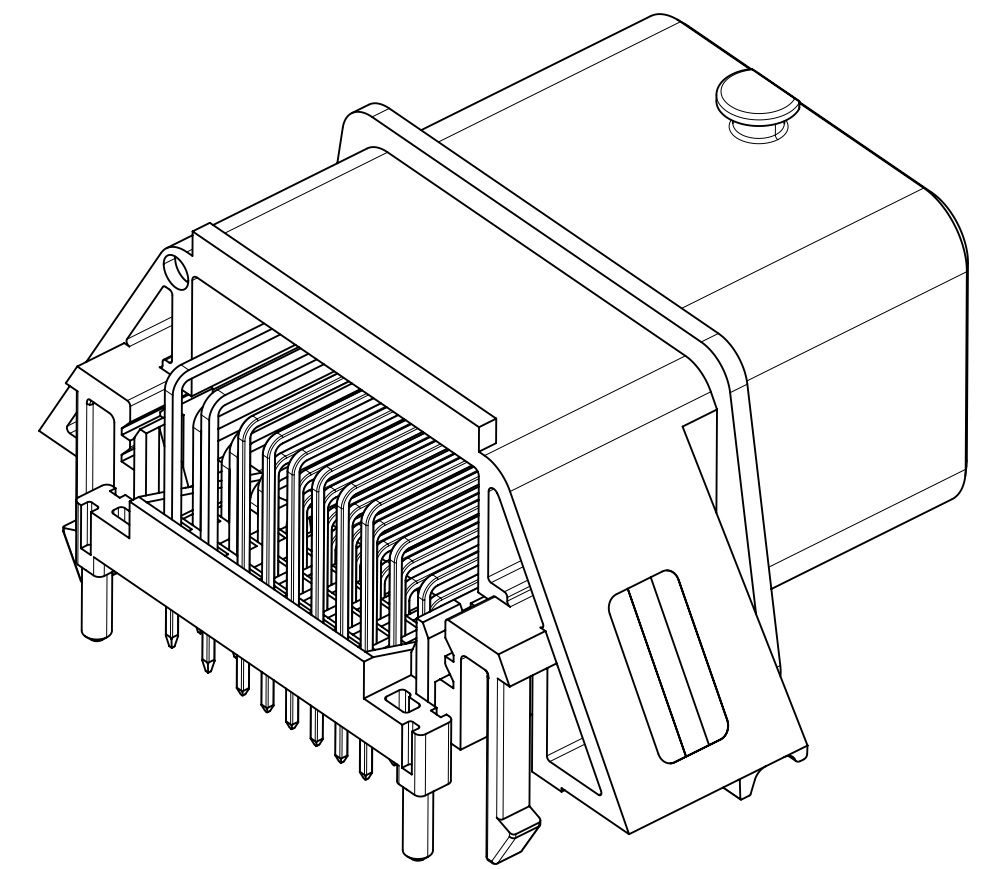


NOTES

- 1 - GENERAL TOLERANCE ACC. DIN 16901 GROUP 130
- 2 - SEALING AREA (NO BURR, SCRATCHES, CONTAMINATION, SHRINK DEPENDENT WARPAGE AND TOOL SPLITTING LINES ALLOWED)
- 3 - MATERIAL MARKING  
ADDITIONAL MARKING POSSIBLE  
e.g.: - CAVITY NO.  
- MATERIAL NO.  
- VERSION NO.  
- TRACEABILITY MARKING (INK-JET OR LASERMARKING (SPECIAL PLASTIC MATERIAL NEEDED))  
- etc.
- 4 - TOOLING SPLITTING LINES FOR AIR VENT (2x)
- 5 - COLOUR CODING ON INTERFACE (BROWN AND BLUE)
- 6 - MARKING FOR HARNESS DIRECTION: APPLY THERMAL RIBBON
- 7 - MATES WITH CMC CONNECTOR 32CKT  
MATERIAL NO's:  
RIGHT WIRE OUTPUT BROWN CODING 643193219  
RIGHT WIRE OUTPUT BLACK CODING 643193211  
LEFT WIRE OUTPUT BROWN CODING 643191219  
LEFT WIRE OUTPUT BLACK CODING 643191211  
LEFT WIRE OUTPUT BLUE CODING 643191216
- 8 - THE PRODUCT INTERFACE INFORMATION SEE SD-98644-006



3D-VIEW

TECHNICAL PERFORMANCE CHARACTERISTICS

LOCKING FEATURES RETENTION FORCE AVERAGE: >260N  
THE LOWEST RETENTION FORCE VALUE >240N

PIN RETENTION AND TRACTION FORCES:

| PIN       | SIZE [mm]     | RETENTION FORCES |
|-----------|---------------|------------------|
| PIN 0.635 | 0.635 x 0.635 | ≥ 30N            |
| PIN 1.5   | 1.5 x 0.8     | ≥ 60N            |

SOLDERABILITY:  
TESTING ACC. DIN IEC 60068-2-20 WITHOUT PRE-AGING

ALL FURTHER TECHNICAL PERFORMANCE CHARACTERISTICS  
ARE SHOWN IN PRODUCTS AND TEST SPECIFICATION OF THE  
RELEVANT FEMALE CONNECTORS: PS-64319-001

BILL OF MATERIAL

| ITEM | DESCRIPTION    | RAW MATERIAL | BARRIER (OVERALL) | FINISH (OVERALL) | UNIT            | AMOUNT |     |       |   |
|------|----------------|--------------|-------------------|------------------|-----------------|--------|-----|-------|---|
| 10   | Pin 1.5 Row 4  | CuZn30       | Ni 1.3-3.8µm      | Sn 2-4µm         | PIECE           | 2      |     |       |   |
| 9    | Pin 1.5 Row 3  |              |                   |                  | PIECE           | 2      |     |       |   |
| 8    | Pin 1.5 Row 2  |              |                   |                  | PIECE           | 2      |     |       |   |
| 7    | Pin 1.5 Row 1  |              |                   |                  | PIECE           | 2      |     |       |   |
| 6    | Pin 0.64 Row 4 |              |                   |                  | PIECE           | 6      |     |       |   |
| 5    | Pin 0.64 Row 3 |              |                   |                  | PIECE           | 6      |     |       |   |
| 4    | Pin 0.64 Row 2 |              |                   |                  | PIECE           | 6      |     |       |   |
| 3    | Pin 0.64 Row 1 |              |                   |                  | PIECE           | 6      |     |       |   |
| 2    | GUIDE PLATE    |              |                   |                  | PBT GF30-V0 BLK | ---    | --- | PIECE | 1 |
| 1    | HOUSING        |              |                   |                  | PBT GF30-V0 BLK | ---    | --- | PIECE | 1 |

TOOLED PART LIST

| DESCRIPTION        | MOLEX PART NUMBER | CODING COLOR | WEIGHT MEASURED |
|--------------------|-------------------|--------------|-----------------|
| CMC HDR ASSY 32CKT | 0643340100        | BLACK        | 28.3g           |
|                    | 0643340300        | BROWN        |                 |
|                    | 0643340500        | BLUE         |                 |

INSPECTION BALLOON NUMBER LOG  
PER DRAWING REVISION: C  
LAST BALLOON NUMBER USED: 26  
ADDED BALLOON NUMBER USED:  
REMOVED BALLOON NUMBER: 4, 5, 10

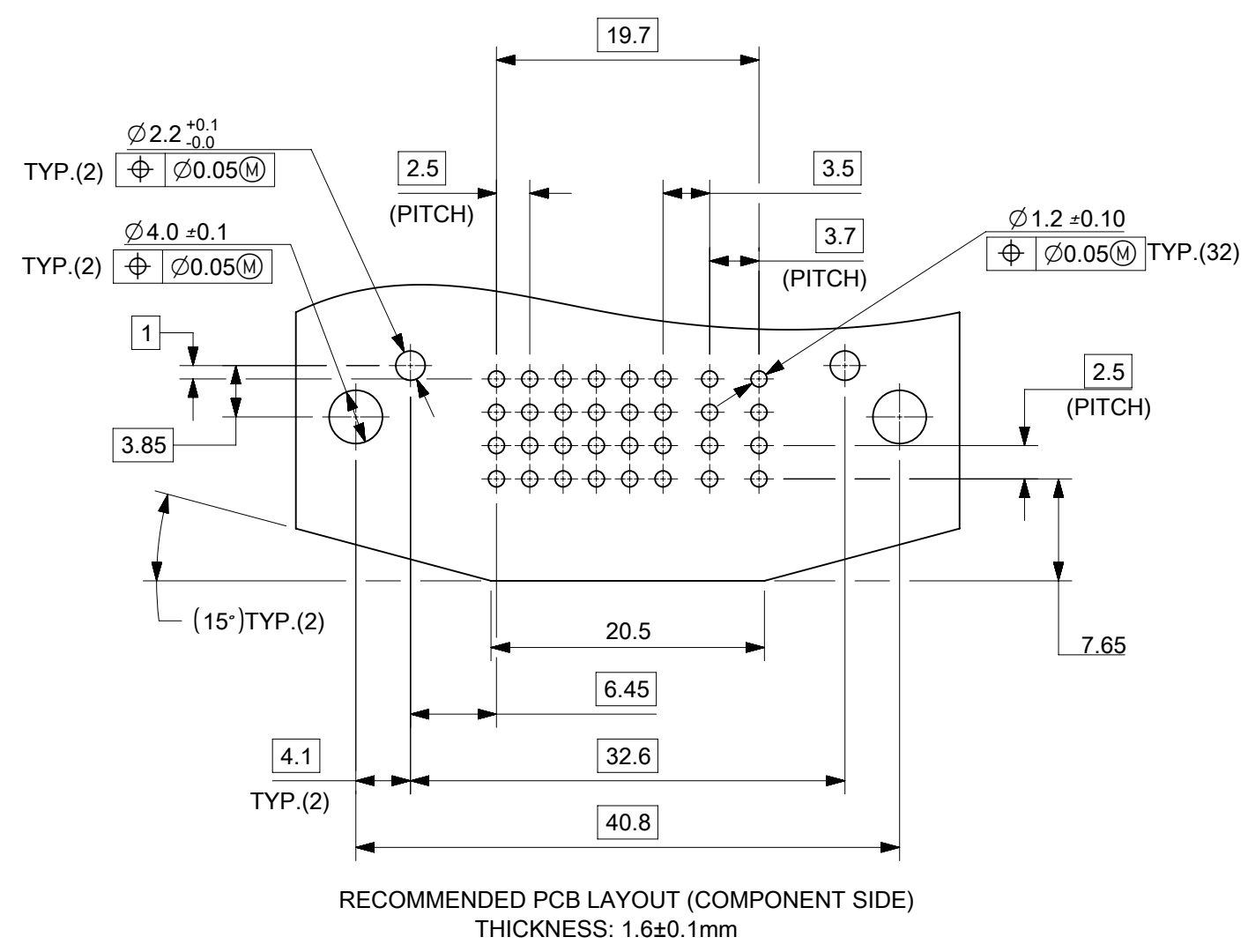
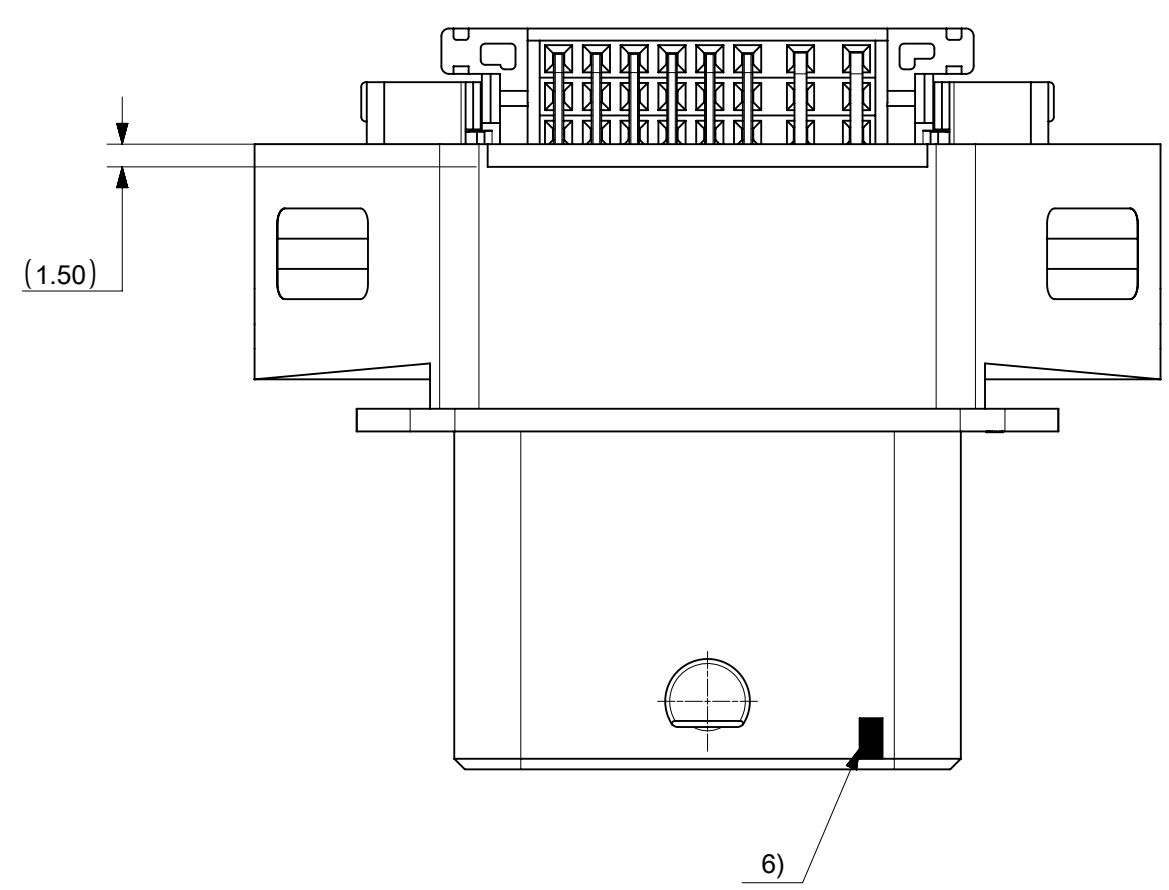
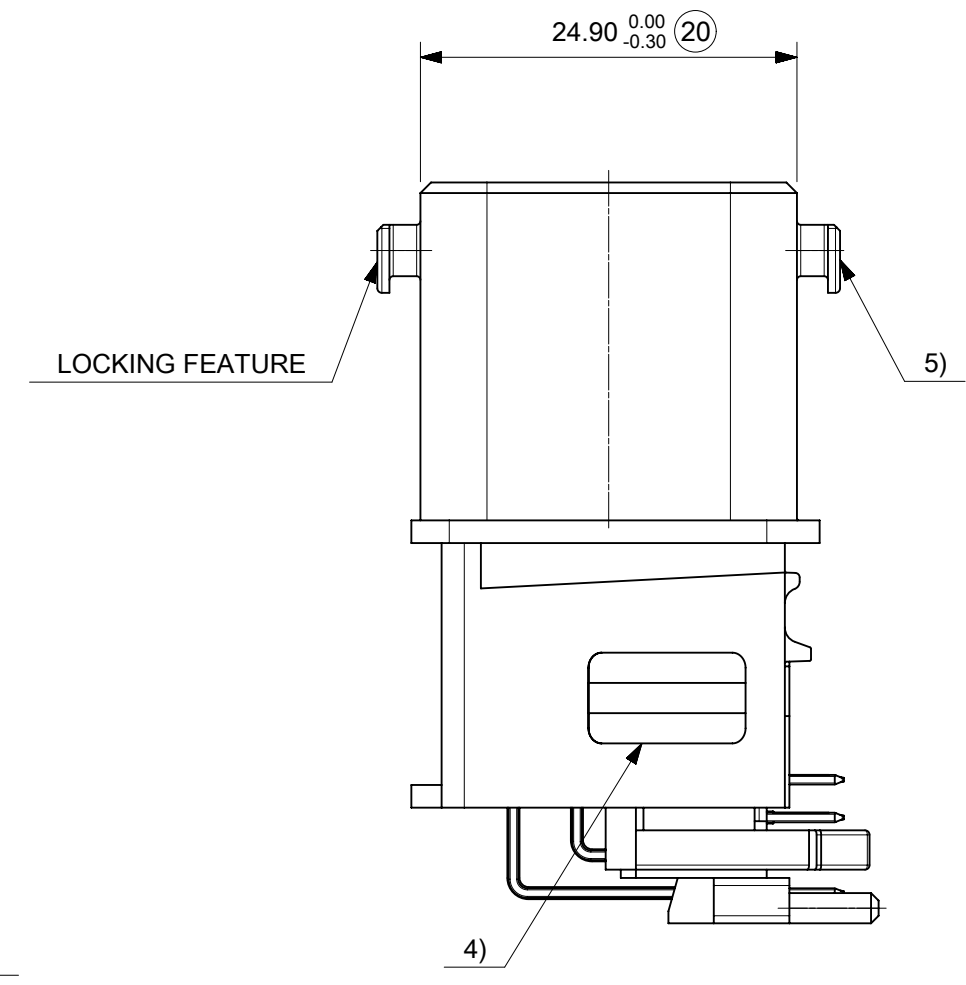
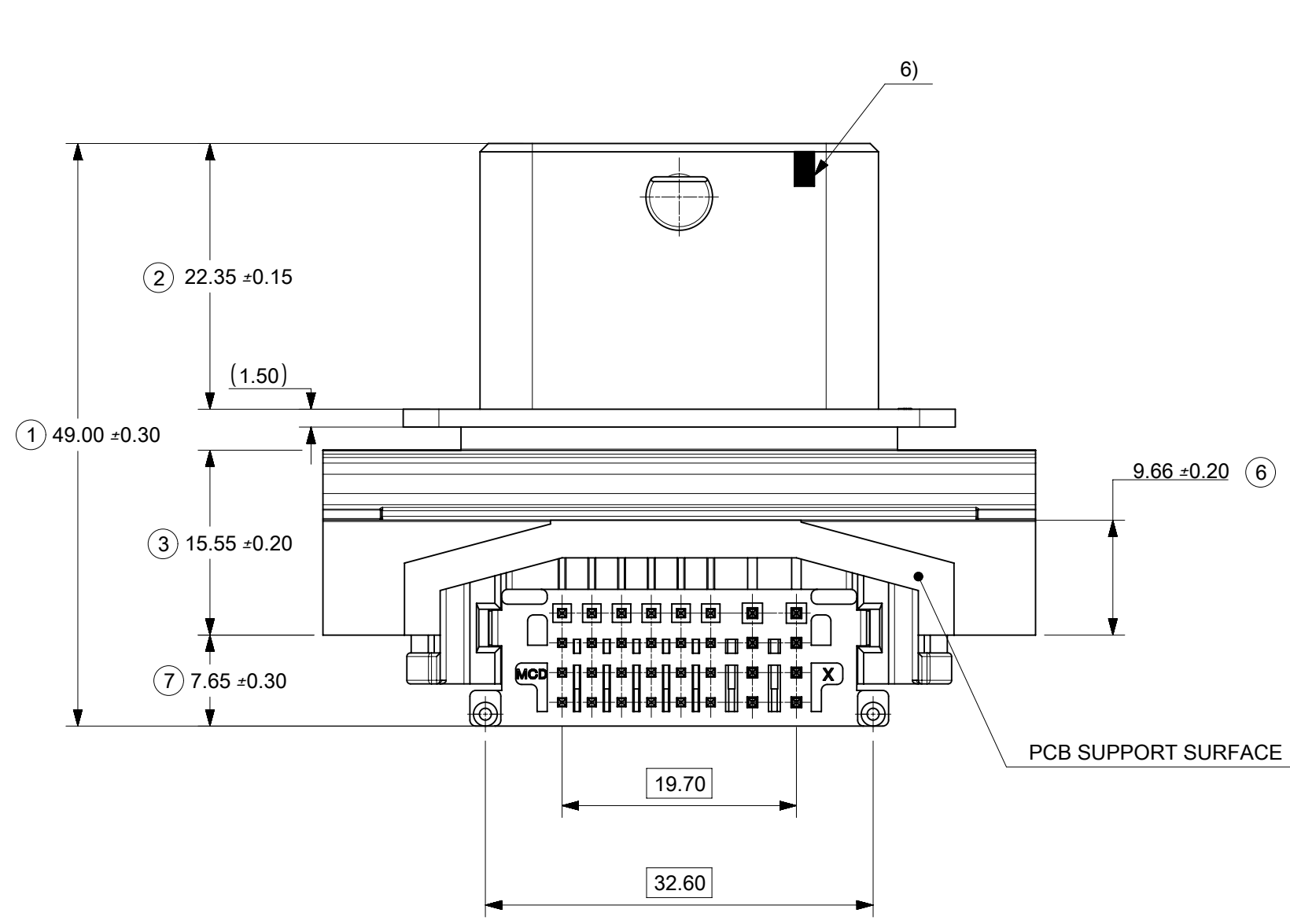
THIS DRAWING CONTAINS INFORMATION THAT IS PROPRIETARY TO MOLEX ELECTRONIC TECHNOLOGIES, LLC AND SHOULD NOT BE USED WITHOUT WRITTEN PERMISSION

|                                                      |       |                                                                              |                                       |
|------------------------------------------------------|-------|------------------------------------------------------------------------------|---------------------------------------|
| DIMENSION UNITS                                      | SCALE | CURRENT REV DESC: REFER TO REVISION CHANGE LOG FOR DETAILS IN G-2 OF SHEET 1 | <b>molex</b>                          |
| mm                                                   | 2:1   | 1                                                                            |                                       |
| DRAFT WHERE APPLICABLE MUST REMAIN WITHIN DIMENSIONS |       | THIRD ANGLE PROJECTION                                                       | DRAWING SERIES                        |
| A2-SIZE                                              |       | 64334                                                                        | MATERIAL NUMBER CUSTOMER SHEET NUMBER |
| SEE TABLE                                            |       | GENERAL MARKET                                                               | 1 OF 2                                |

EC NO: 629431  
DRWN: HKANG03 2019/12/02  
CHK'D: HWBAI 2020/02/12  
APPR: SLAFAURE 2020/02/18

INITIAL REVISION:  
DRWN: TLUO 2009/04/15  
APPR: GGLEE 2009/05/11

DOCUMENT NUMBER: SD-64334-100  
DOC TYPE: PSD  
DOC PART: 005  
REVISION: D



NOTES:

1. THE VIEW "RECOMMENDED PCB LAYOUT" SHOWS THE SECTION OF THE HOLE POSITION CONCERNING THE HEADER-PIN, GUIDING AND LOCKING LAYOUT.
2. THIS VIEW OF THE HOLE PATTERN DOESN'T POINT TO THE ABSOLUTE POSITION ON THE PCB.
3. THE HOLE PATTERN IS COPY OF THE HEADER LAYOUT.
4. PLEASE COMBINE THE TWO ELEMENTS (HEADER AND VIEW OF THE HOLE PATTERN) TO CREATE PCB LAYOUT.

|          |              |                                                                                                                                                                                                                                                                                                                           |
|----------|--------------|---------------------------------------------------------------------------------------------------------------------------------------------------------------------------------------------------------------------------------------------------------------------------------------------------------------------------|
| D        | 629431       | 1. UPDATED VIEWS FROM PAP PRE-LOCK TO FINAL-LOCK<br>2. UPDATED DIM 12 FROM 4.65 TO 6.80 DUE TO GUIDE PLATE RELOCATION<br>3. CHANGED LETTERS FROM LOWER CASE TO CAPITAL<br>4. REMOVED BALLOON NUMBER FOR BASIC DIMENSIONS<br>5. ADDED INSPECTION BALLOON NUMBER LOG<br>6. UPDATED NOTES 6 FROM WHITE INK TO THERMAL RIBBON |
| C        | 619506       | 1) REMOVE PAGES OF INTERFACE DRAWING SD-98644-006<br>2) REMOVE QA COUNT FROM TITLE BLOCK<br>3) REMOVE GERMAN TEXT ON PAGES<br><br>SHEET 1<br>4) UPDATE "NOTES" SEE REVISION SYMBOL C FOR DETAIL<br>5) ADD BLUE CODING "TOOLED PART LIST" TABLE<br><br>SHEET 2<br>6) ADD REVISION LOG                                      |
| B1       | GCA2011-0026 | UPDATE TEST SPEC OF SOLDERABILITY                                                                                                                                                                                                                                                                                         |
| B        | GCA2011-0001 | UPDATE NEW REVISION INTERFACE DRAWING                                                                                                                                                                                                                                                                                     |
| A1       | GCA2009-0059 | 1) ADD DIM 6, 7, 8<br>2) CORRECT HEADER WEIGHT<br>3) ADD PCB LAYOUT AND NOTES                                                                                                                                                                                                                                             |
| A        | 610245       | VOIDED BY ECTR MIGRATION TEAM DUE TO SHEET NUMBER CHANGED                                                                                                                                                                                                                                                                 |
| 4        | GCA2009-0033 | ADD NOTES 7:<br>MATES WITH CMC CONNECTOR 32CKT                                                                                                                                                                                                                                                                            |
| 3        | G2009-0257   | 1) CHANGE WRITTEN FAILURE OF PS:<br>OLD: PS-64319-002<br>NEW: PS-64319-001<br>2) ADD AND ADDITIONA PAGE<br>CHANGE FRAME SIZE OF PAGE 1, 2, 3, 4 AND 5 FROM<br>DIN A1 INTO DIN A2<br>3) CHANGE TITLE:<br>OLD: CMC HEADER ASSY 32CKT./HARNESS<br>DIRECTION RIGHT<br>NEW: CMC HEADER 32CKT./ASSEMBLED/<br>SOLDER VERSION     |
| 2        | G2009-0220   | CHANGE MATERIAL DESCRIPTION ON PART                                                                                                                                                                                                                                                                                       |
| 1        | G2009-0081   | INITIAL RELEASE                                                                                                                                                                                                                                                                                                           |
| REVISION | EC#          | DESCRIPTIONS                                                                                                                                                                                                                                                                                                              |

MODIFICATION LOG

THIS DRAWING CONTAINS INFORMATION THAT IS PROPRIETARY TO MOLEX ELECTRONIC TECHNOLOGIES, LLC AND SHOULD NOT BE USED WITHOUT WRITTEN PERMISSION

|                                                      |                        |                                                                              |
|------------------------------------------------------|------------------------|------------------------------------------------------------------------------|
| DIMENSION UNITS                                      | SCALE                  | CURRENT REV DESC: REFER TO REVISION CHANGE LOG FOR DETAILS IN G-2 OF SHEET 1 |
| mm                                                   | 2:1                    |                                                                              |
|                                                      |                        | EC NO: 629431                                                                |
|                                                      |                        | DRWN: HKANG03 2019/12/02                                                     |
|                                                      |                        | CHK'D: HWBAI 2020/02/12                                                      |
|                                                      |                        | APPR: SLAFAURE 2020/02/18                                                    |
|                                                      |                        | INITIAL REVISION:                                                            |
|                                                      |                        | DRWN: TLUO 2009/04/15                                                        |
|                                                      |                        | APPR: GGLEE 2009/05/11                                                       |
| DRAFT WHERE APPLICABLE MUST REMAIN WITHIN DIMENSIONS | THIRD ANGLE PROJECTION | DRAWING                                                                      |
|                                                      |                        | A2-SIZE                                                                      |
|                                                      |                        | SERIES                                                                       |
|                                                      |                        | 64334                                                                        |
|                                                      |                        | MATERIAL NUMBER                                                              |
|                                                      |                        | SEE TABLE                                                                    |
|                                                      |                        | CUSTOMER                                                                     |
|                                                      |                        | GENERAL MARKET                                                               |
|                                                      |                        | SHEET NUMBER                                                                 |
|                                                      |                        | 2 OF 2                                                                       |

**molex**

CMC HEADER 32CKT  
ASSEMBLED SOLDER VERSION

PRODUCT CUSTOMER DRAWING

|                 |          |          |          |
|-----------------|----------|----------|----------|
| DOCUMENT NUMBER | DOC TYPE | DOC PART | REVISION |
| SD-64334-100    | PSD      | 005      | D        |