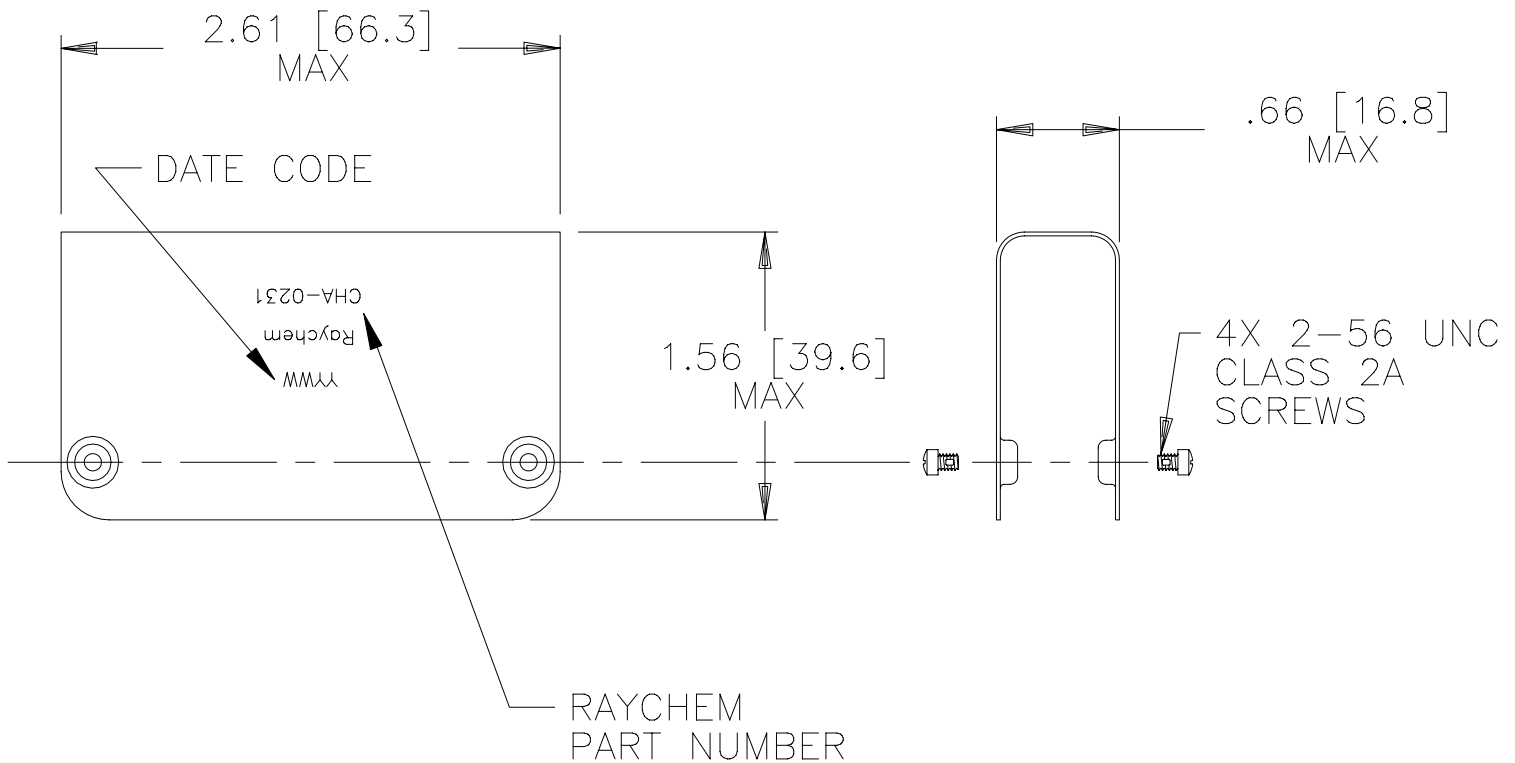


REVISIONS			
LTR	DESCRIPTION	DATE	APPROVED
A	REVISED PER ECN T-19774	1-9-95	R.H.
B	REVISED PER DCR# T-22580	1/25/99	M.HIGGY

NOTES:

MATERIAL: BACKSHELL: ALUMINUM ALLOY PER QQ-A-225
 SCREWS: STAINLESS STEEL PER QQ-S-763

FINISH: BACKSHELL: CADMIUM PLATED PER QQ-P-416
 OVER NICKEL UNDERPLATE
 SCREWS: CADMIUM PLATED PER QQ-P-416



SPECIFICATION CONTROL DRAWING

If this document is printed it becomes uncontrolled.
 Check with the web for latest revision.

UNLESS OTHERWISE SPECIFIED
 DIMENSIONS ARE IN INCHES.
 METRIC DIMENSIONS ARE
 IN BRACKETS.

DEC .XXX ±
 DEC .XX ± N/A
 ANGLES ±

DRAWN	HAWKINGS	89 APR 03
CHECKED		
APPROVED	J.BLAIR	89 APR 24
APPROVED	J.CRAMRON	89 APR 25
CAD NAME	T22580.DWG	

Raychem

RAYCHEM CORPORATION
 300 CONSTITUTION DRIVE
 MENLO PARK, CALIFORNIA 94025

TITLE
 BACKSHELL, PROTECTIVE,
 2" FOR RIGHT ANGLE
 BREAKOUT OF FCC,
 MTC SERIES

THIRD ANGLE PROJECTION	
---------------------------	--

SIZE A	CODE IDENT. NO. 06090	DWG. NO. CHA-0231	REV B
DO NOT SCALE THIS DRAWING			SHEET 1 OF 1

WEIGHT: MAXIMUM
 10.80 grams