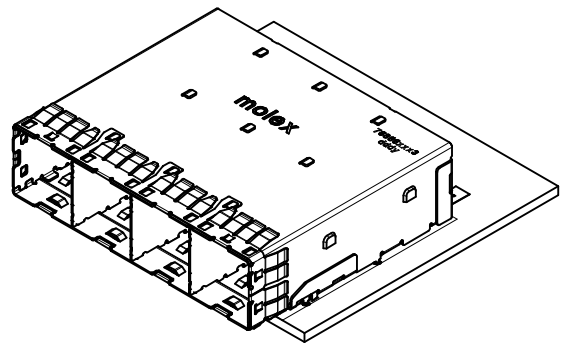


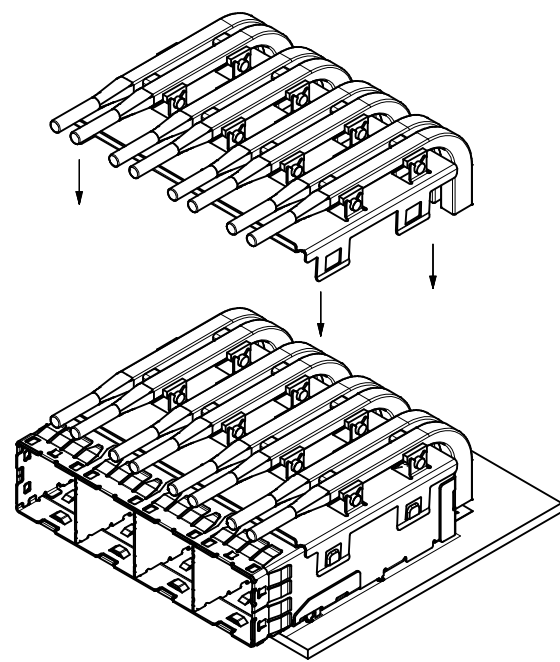
NOTES:

- MATERIALS:
LIGHT PIPE: HALOGEN FREE, CLEAR POLYCARBONATE
COVER: STAINLESS STEEL ALLOY
- PACKAGING SPECIFICATION: PK-76994-001
- MATES WITH: 76866-00*3

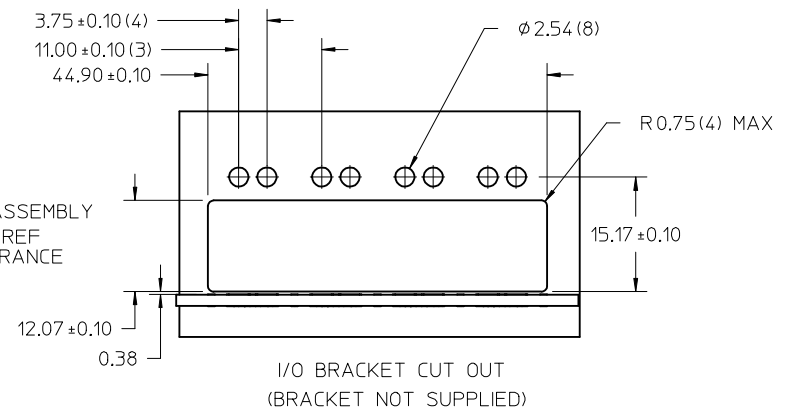
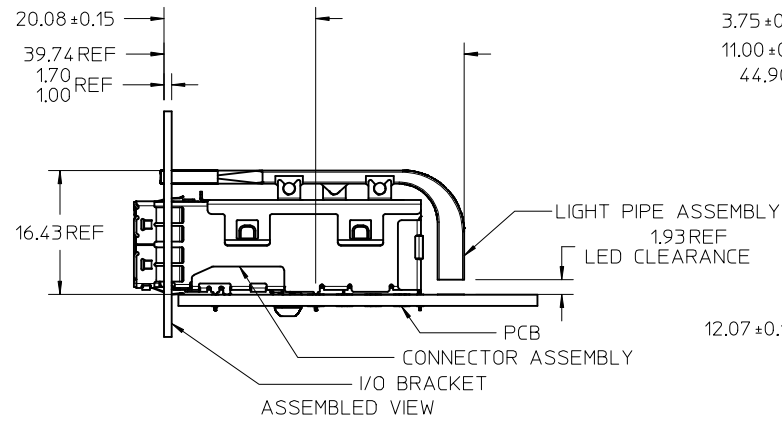
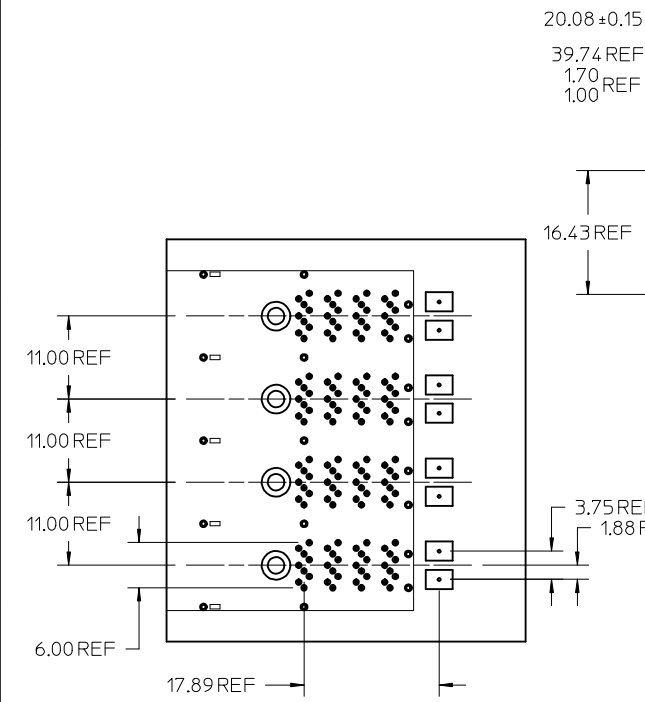
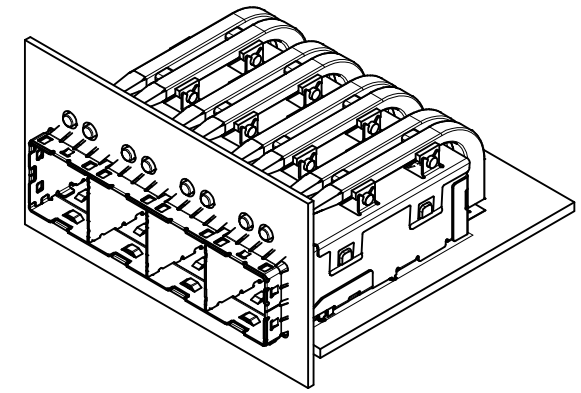
UPDATED MATL SPEC EC NO: UCP2014-1665 IDRW:TMCCLELL 2013/10/15 CHKD:TMCCLELLAND 2013/10/16 APPR:MBANAKIS 2013/10/17	QUALITY SYMBOLS	GENERAL TOLERANCES (UNLESS SPECIFIED)	DIMENSION STYLE MM ONLY	SCALE 4:1	DESIGN UNITS METRIC	THIRD ANGLE PROJECTION
	▽=0	mm INCH	DRAWN BY DATE KLANG 2009/05/04	TITLE IPASS PLUS HD 1X4 PIGHT PIPE & CLIP ASSEMBLY		
	▽=0	4 PLACES ± --- ± ---	CHECKED BY DATE TMCCLELLAND 2013/10/16	moLEX DOCUMENT NO. SD-76994-004 SHEET NO. 1 OF 2		
	▽=0	3 PLACES ± --- ± ---	APPROVED BY DATE MBANAKIS 2010/01/14			
REV	DESCRIPTION	ANGULAR ±1/2°	MATERIAL NO. 76994-0004			
B3		DRAFT WHERE APPLICABLE MUST REMAIN WITHIN DIMENSIONS	SIZE C	THIS DRAWING CONTAINS INFORMATION THAT IS PROPRIETARY TO MOLEX. INCORPORATED AND SHOULD NOT BE USED WITHOUT WRITTEN PERMISSION		



CONNECTOR AS APPLIED TO PCB

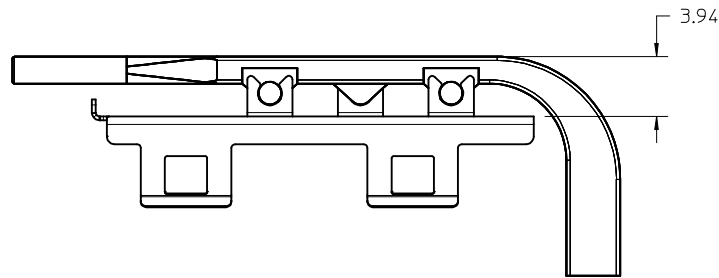
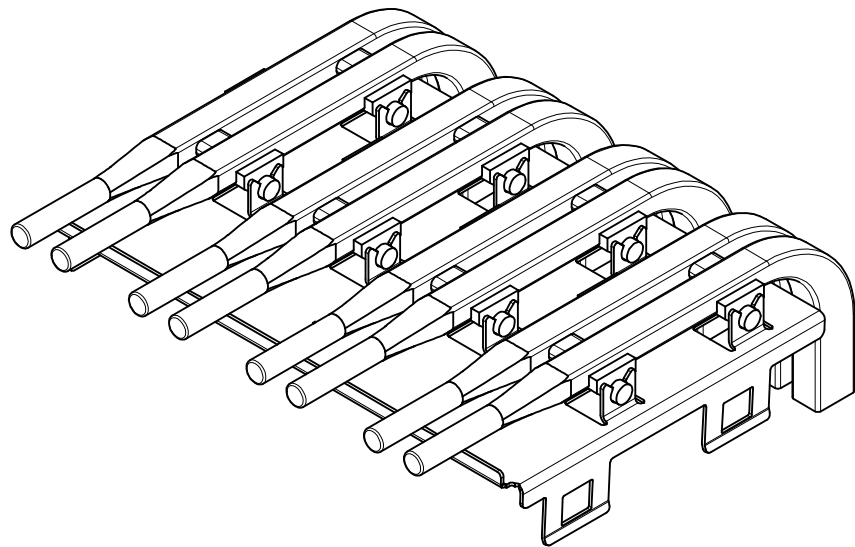
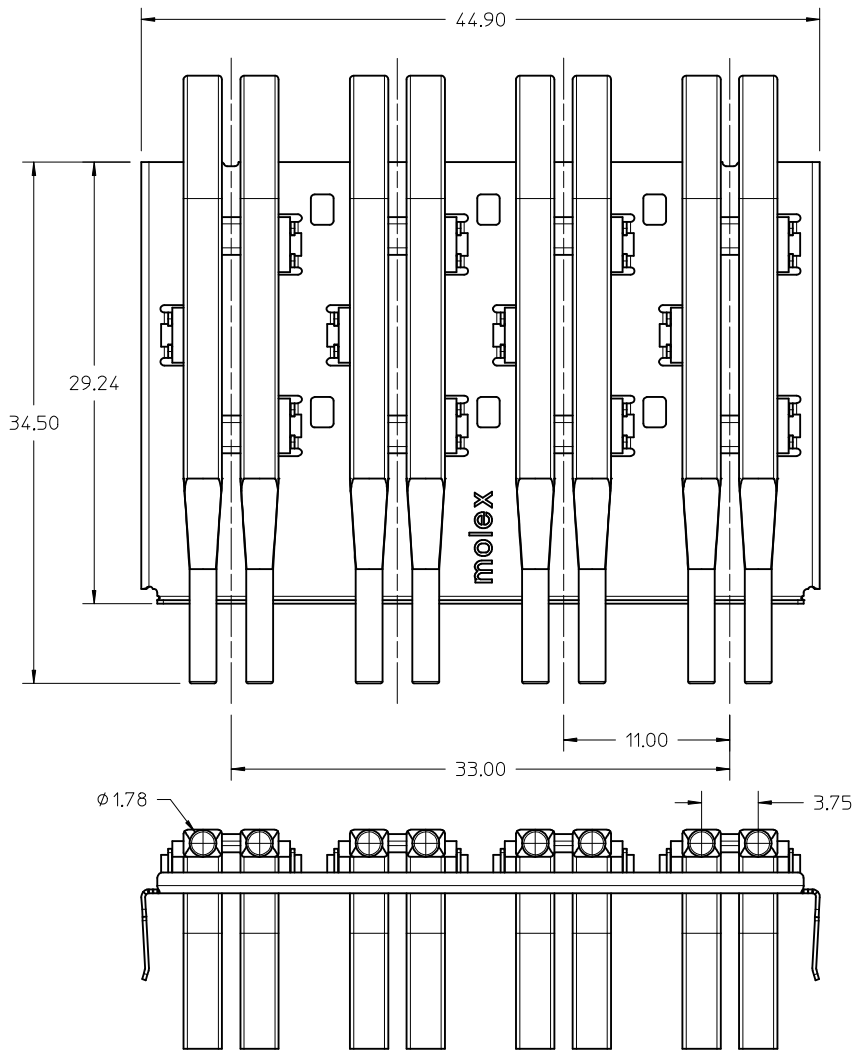


LIGHT PIPES AS APPLIED TO CONNECTOR



I/O BRACKET CUT OUT (BRACKET NOT SUPPLIED)

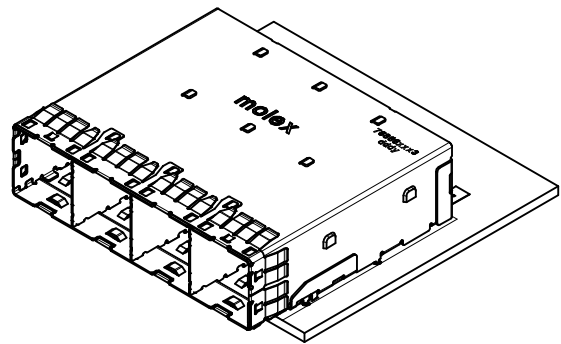
SEE SHEET 1 EC NO: UCP2014-1665 DRAWN: MCCLELL 2013/10/15 CHKD: MCCLELLAND 2013/10/16 APPR: MBANAKIS 2013/10/17	QUALITY SYMBOLS ∇=0 ∇=0 ∇=0	GENERAL TOLERANCES (UNLESS SPECIFIED) mm INCH 4 PLACES ± --- ± --- 3 PLACES ± --- ± --- 2 PLACES ± 0.13 ± --- 1 PLACE ± 0.25 ± --- ANGULAR ± 1/2°	DIMENSION STYLE MM ONLY DRAWN BY DATE KLANG 2009/05/04 CHECKED BY DATE TMCCLELLAND 2013/10/16 APPROVED BY DATE MBANAKIS 2010/01/14	SCALE 2:1 DESIGN UNITS METRIC THIRD ANGLE PROJECTION	TITLE IPASS PLUS HD 1X4 PIGHT PIPE & CLIP ASSEMBLY	MOLEX INCORPORATED	DOCUMENT NO. SD-76994-004	SHEET NO. 2 OF 2	
	DRAFT WHERE APPLICABLE MUST REMAIN WITHIN DIMENSIONS		SEE SHEET 1	MOLEX INCORPORATED		SD-76994-004		SHEET NO. 2 OF 2	
	THIS DRAWING CONTAINS INFORMATION THAT IS PROPRIETARY TO MOLEX INCORPORATED AND SHOULD NOT BE USED WITHOUT WRITTEN PERMISSION								
	B3								



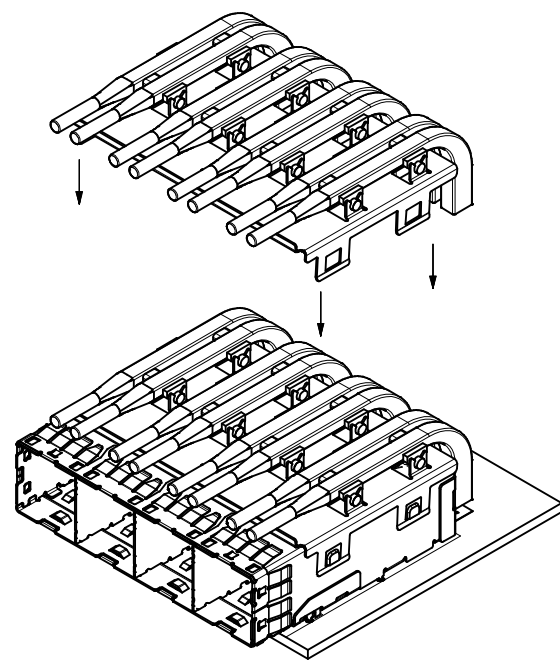
NOTES:

1. MATERIALS:
LIGHT PIPE: HALOGEN FREE, CLEAR POLYCARBONATE
COVER: STAINLESS STEEL ALLOY
2. PACKAGING SPECIFICATION: PK-76994-001
3. MATES WITH: 76866-00*3

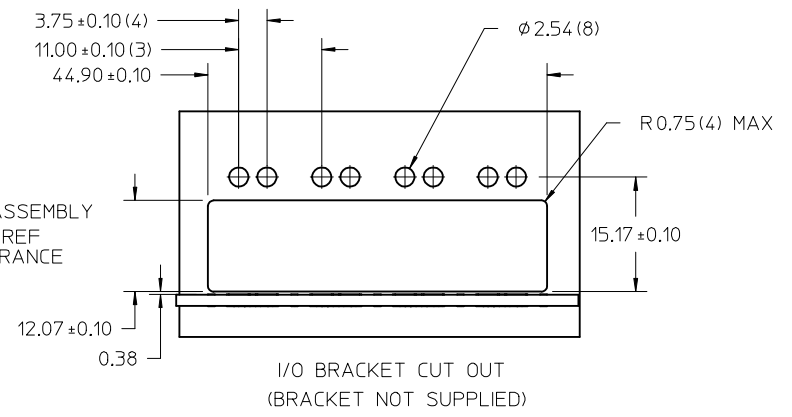
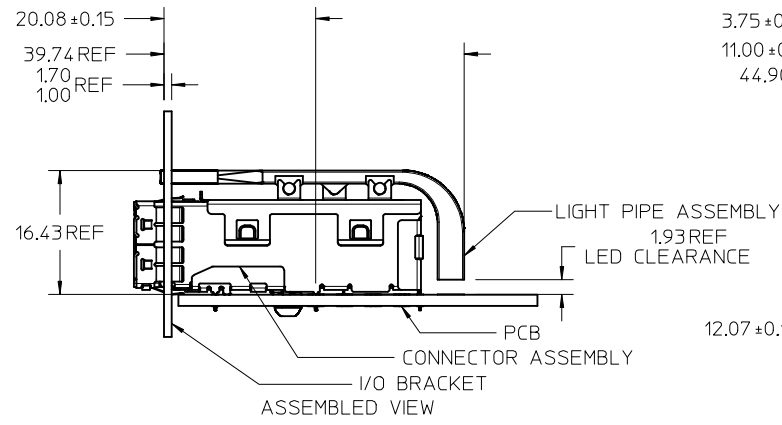
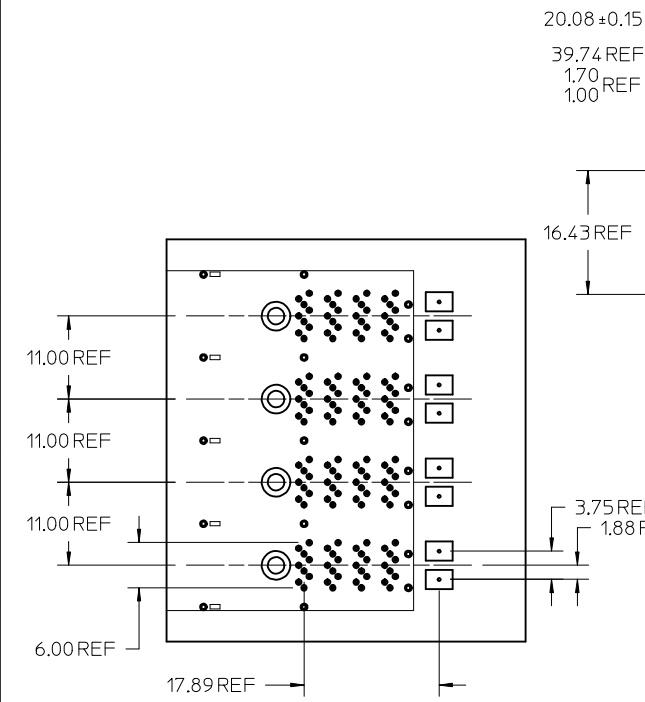
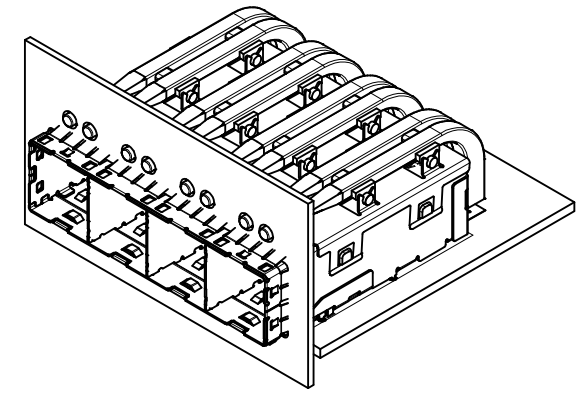
UPDATED MATL SPEC EC NO: UCP2014-1665 IDRW:TMCCLELL 2013/10/15 CHKD:TMCCLELLAND 2013/10/16 APPR:MBANAKIS 2013/10/17	QUALITY SYMBOLS 	GENERAL TOLERANCES (UNLESS SPECIFIED)		DIMENSION STYLE	SCALE	DESIGN UNITS	THIRD ANGLE PROJECTION	
				MM ONLY	4:1	METRIC		
				DRAWN BY	DATE	TITLE		
				KLANG	2009/05/04	IPASS PLUS HD 1X4 PIGHT PIPE & CLIP ASSEMBLY		
B3	DESCRIPTION REV			CHECKED BY	DATE	molex DOCUMENT NO. SD-76994-004 SHEET NO. 1 OF 2		
				TMCCLELLAND	2013/10/16			
				APPROVED BY		DATE	THIS DRAWING CONTAINS INFORMATION THAT IS PROPRIETARY TO MOLEX. INCORPORATED AND SHOULD NOT BE USED WITHOUT WRITTEN PERMISSION	
				MBANAKIS		2010/01/14		



CONNECTOR AS APPLIED TO PCB



LIGHT PIPES AS APPLIED TO CONNECTOR



SEE SHEET 1	QUALITY SYMBOLS
EC NO: UCP2014-1665	▽=0
DRWN:TMCCLELL 2013/10/15	▽=0
CHKD:TMCCLELLAND 2013/10/16	▽=0
APPR:MBANAKIS 2013/10/17	
REV	DESCRIPTION
B3	

GENERAL TOLERANCES (UNLESS SPECIFIED)	
	mm INCH
4 PLACES ± ---	± ---
3 PLACES ± ---	± ---
2 PLACES ± 0.13	± ---
1 PLACE ± 0.25	± ---
ANGULAR ± 1/2°	
DRAFT WHERE APPLICABLE MUST REMAIN WITHIN DIMENSIONS	

DIMENSION STYLE	
MM ONLY	
DRAWN BY	DATE
KLANG	2009/05/04
CHECKED BY	DATE
TMCCLELLAND	2013/10/16
APPROVED BY	DATE
MBANAKIS	2010/01/14
MATERIAL NO.	
SEE SHEET 1	

SCALE	DESIGN UNITS	THIRD ANGLE PROJECTION
2:1	METRIC	
TITLE		
IPASS PLUS HD 1X4 PIGHT PIPE & CLIP ASSEMBLY		
MOLEX INCORPORATED		SHEET NO.
DOCUMENT NO.		2 OF 2
THIS DRAWING CONTAINS INFORMATION THAT IS PROPRIETARY TO MOLEX INCORPORATED AND SHOULD NOT BE USED WITHOUT WRITTEN PERMISSION		