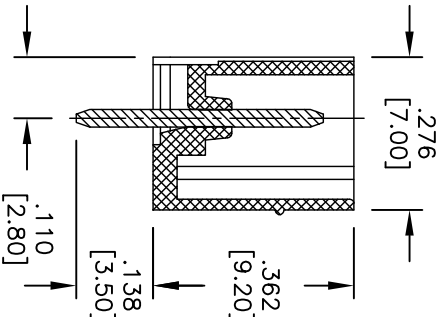
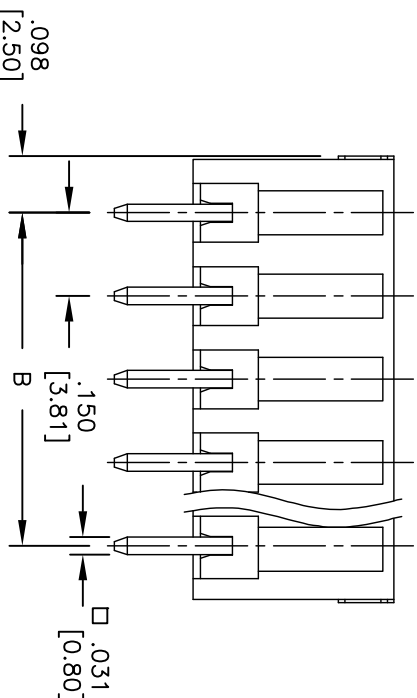
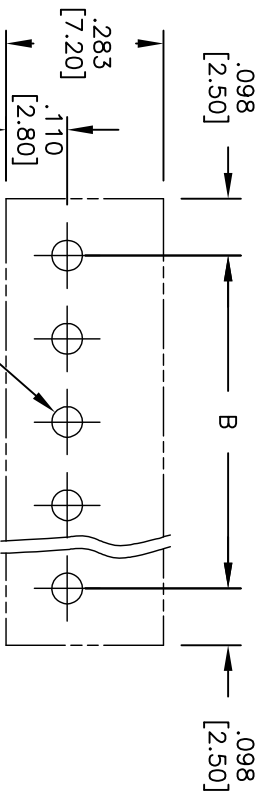
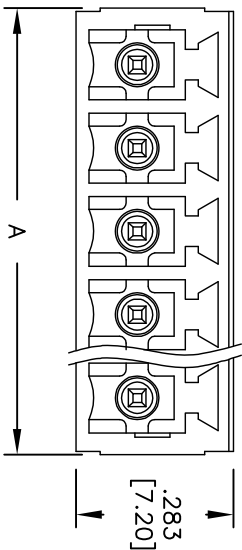


APPROVED: _____
 DATE: _____ TITLE: _____

Rev	AWO #	Description	Date	Appr
-	9427	RELEASED	3/06/09	
A	-	REDRAWN	7/11/11	



Poles	Tolerance
2-6P	±.006 [0.15]
7-12P	±.008 [0.20]
13-18P	±.010 [0.25]
19-24p	±.012 [0.30]

SPECIFICATIONS:

Material:
 Insulator: Thermoplastic, rated UL 94V-0
 Insulator color: Green
 Contact: Copper Alloy, Tin plated.
Electrical:
 Operation voltage: 300 VAC
 Current rating: 10 Amps
Mechanical:
 Withstanding Voltage: 1.6KV
 Environmental:
 Operating temperature: -40°C to +115°C
 Lead free, RoHS compliant.

Poles: 2 thru 24
 A = .150 [3.81] X No. of Spaces + .197 [5.00]
 B = .150 [3.81] X No. of Spaces

UNLESS OTHERWISE SPECIFIED
 ALL DIMENSIONS ARE IN MM
 TOLERANCES: EXCEPT AS NOTED
 INCHES

	HOLDS	
.X	±.10	ØXX
.XX	±.020	ØXXX
.XXX	±.015	ØXXXX
.XXX	±.010	ØXXXX

APPROVALS: _____ DATE: _____
 DRAWN: DY 3/06/09
 CHECKED: _____
 APPROVED: _____

ADAM TECH
 909 Railway Avenue, Union, NJ 07083
 Phone: 908-687-5000 Fax: 908-687-5710

TITLE: .150 [3.81] PITCH, TERMINAL BLOCK, VERTICAL



Lead free, RoHS compliant.