
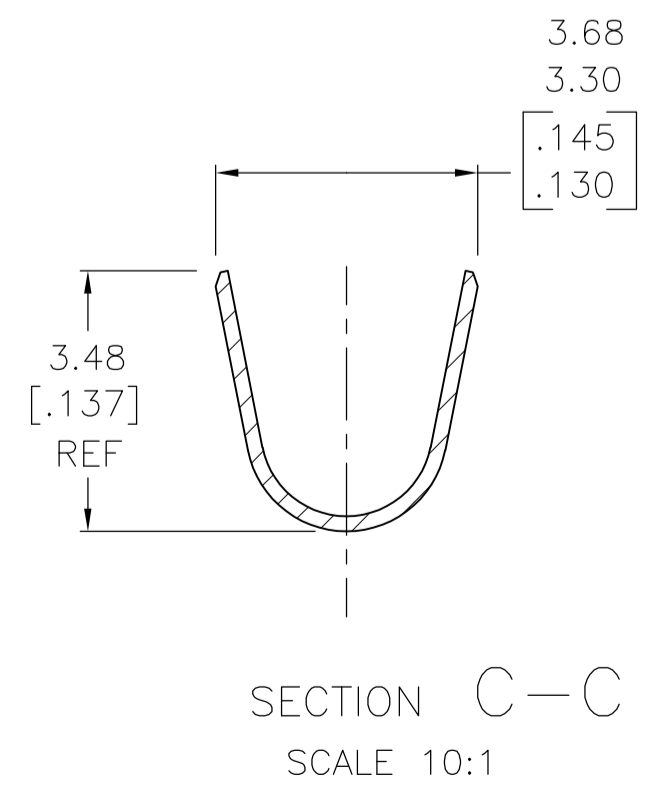
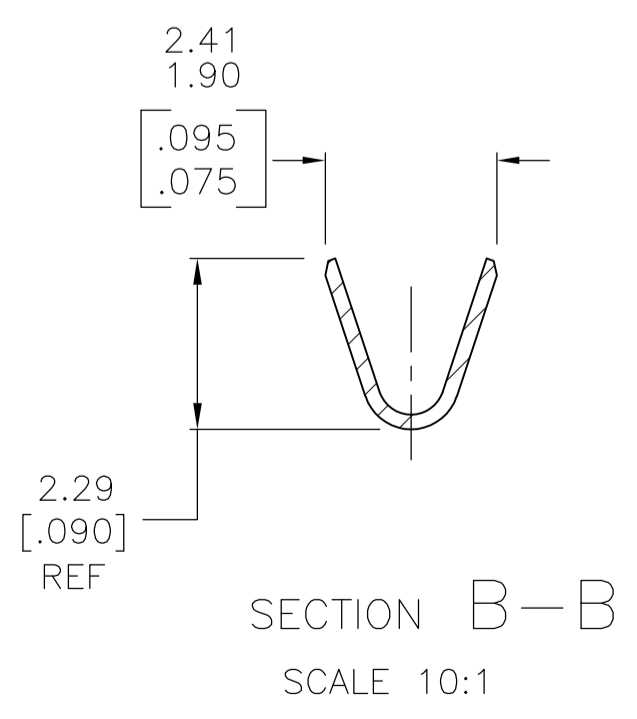
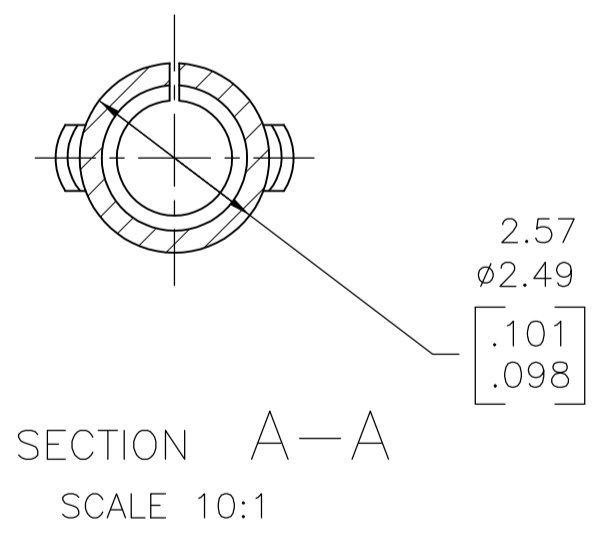
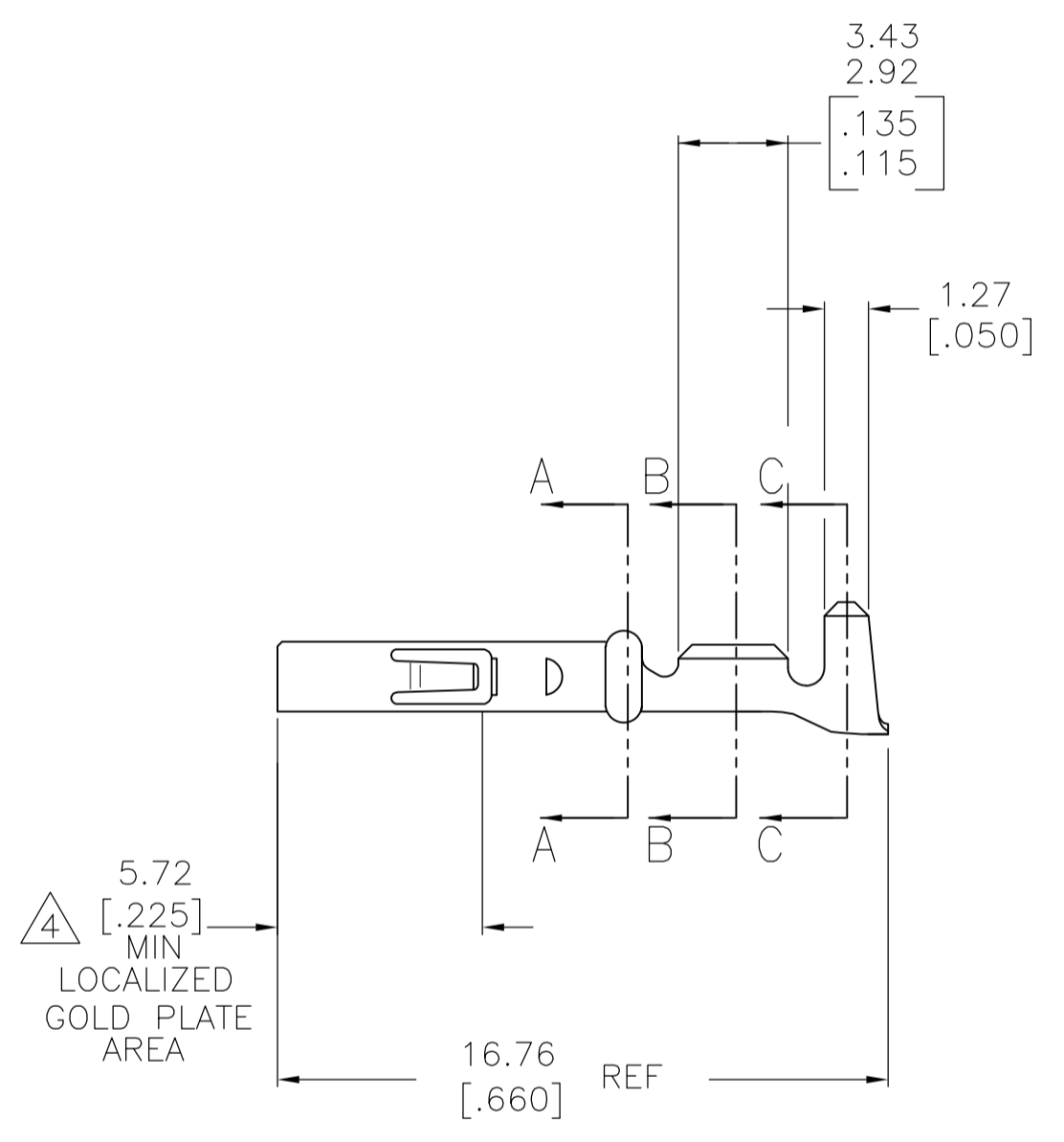
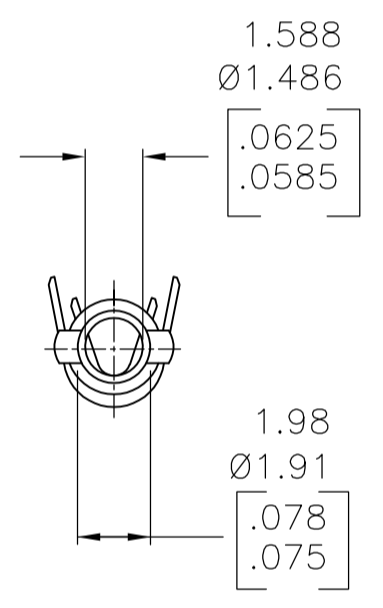
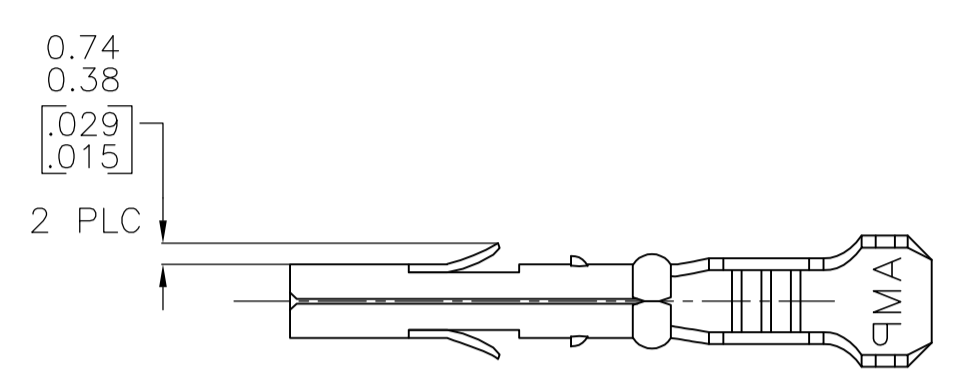



REVISIONS				
P	LTR	DESCRIPTION	DATE	OWN
B2		REVISED PER ECO-16-014163	29SEP2016	NK

- 1 WIRE RANGE: 0.12-0.9mm² (26-18 AWG).
- 2 INSULATION RANGE: 1.27-2.92 [.050-.115] MAX. DIA.
- 3 DIMENSIONS IN BRACKETS ARE IN INCHES.
- 4  PLATE INTERNALLY WITH 0.00076 [.000030] MIN GOLD IN THE LOCALIZED GOLD PLATE AREA, GOLD FLASH ON THE REMAINDER, OVER 0.00127 [.000050] MIN NICKEL UNDERPLATE.



 GOLD STRIPE	0.20 [.008] PHOS BRZ	641300-2
PRE-TIN	0.20 [.008] PHOS BRZ	641300-1
FINISH	MATERIAL	PART NO

THIS DRAWING IS A CONTROLLED DOCUMENT.		DIN K SALMON 3-21-95	TE Connectivity	
DIMENSIONS: mm [INCHES]		CHK R SWING 3-21-95	NAME RECEPTACLE, LOOSE PIECE, MR	
TOLERANCES UNLESS OTHERWISE SPECIFIED:		APPD W LONG 3-21-95	RESTRICTED TO	
0 PLC ± -	1 PLC ± -	APPLICATION SPEC	SIZE A1	CAGE CODE 00779
2 PLC ± -	3 PLC ± 0.13 [.005]	WEIGHT	DRAWING NO C=641300	REV B2
4 PLC ± -	ANGLES ± ± -	CUSTOMER DRAWING	SCALE 5:1	SHEET 1 OF 1