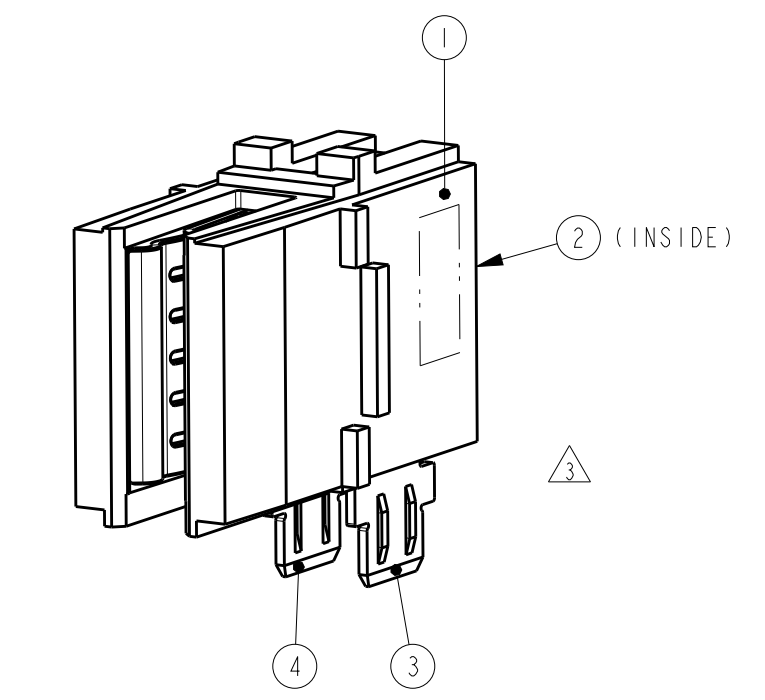
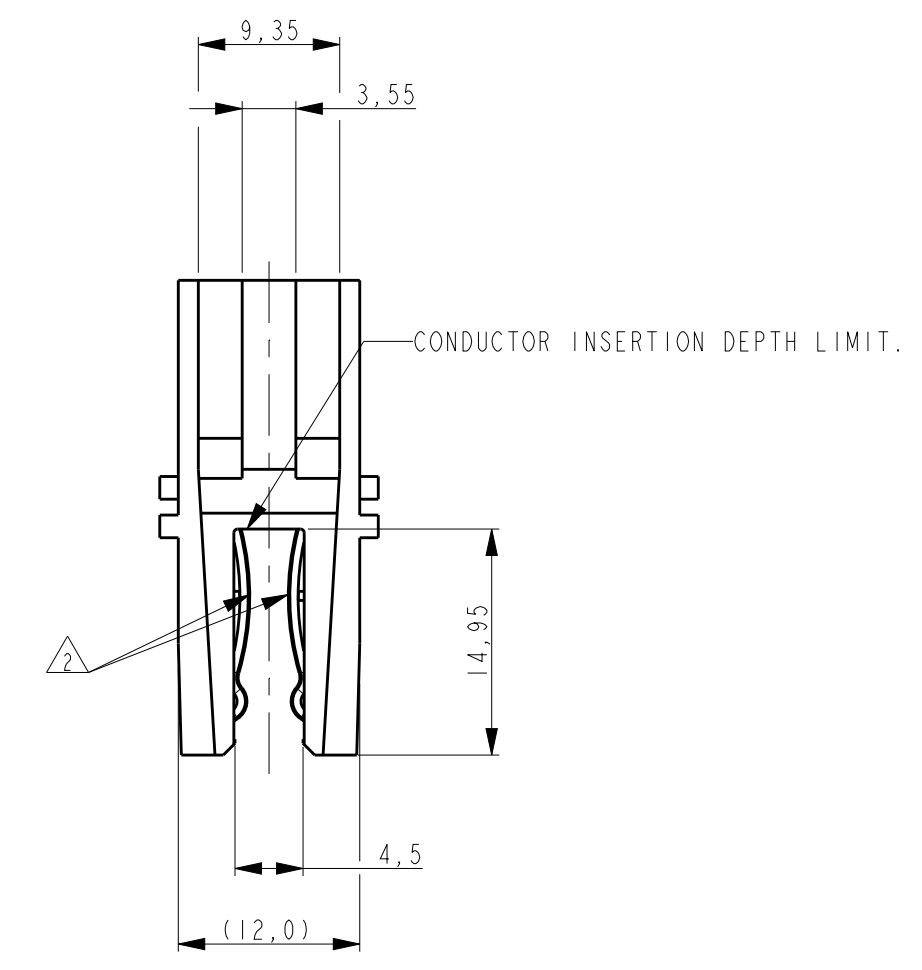
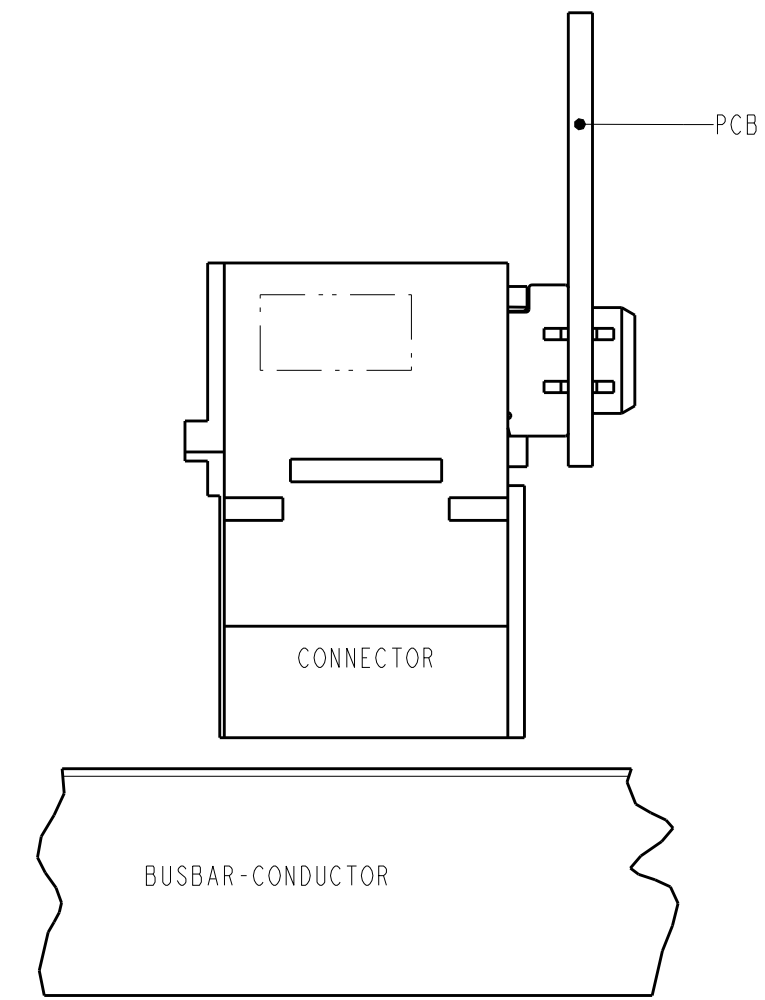
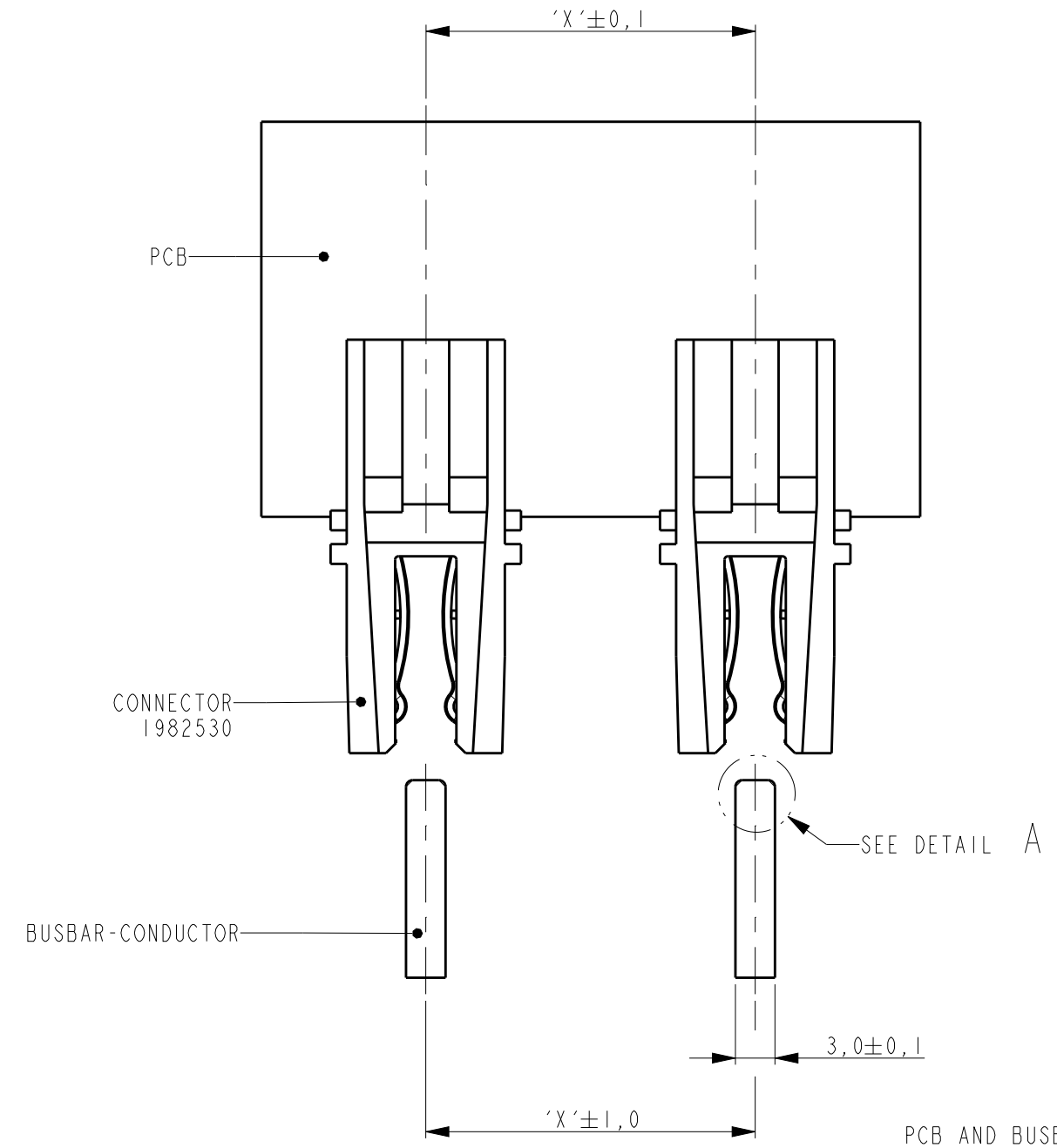
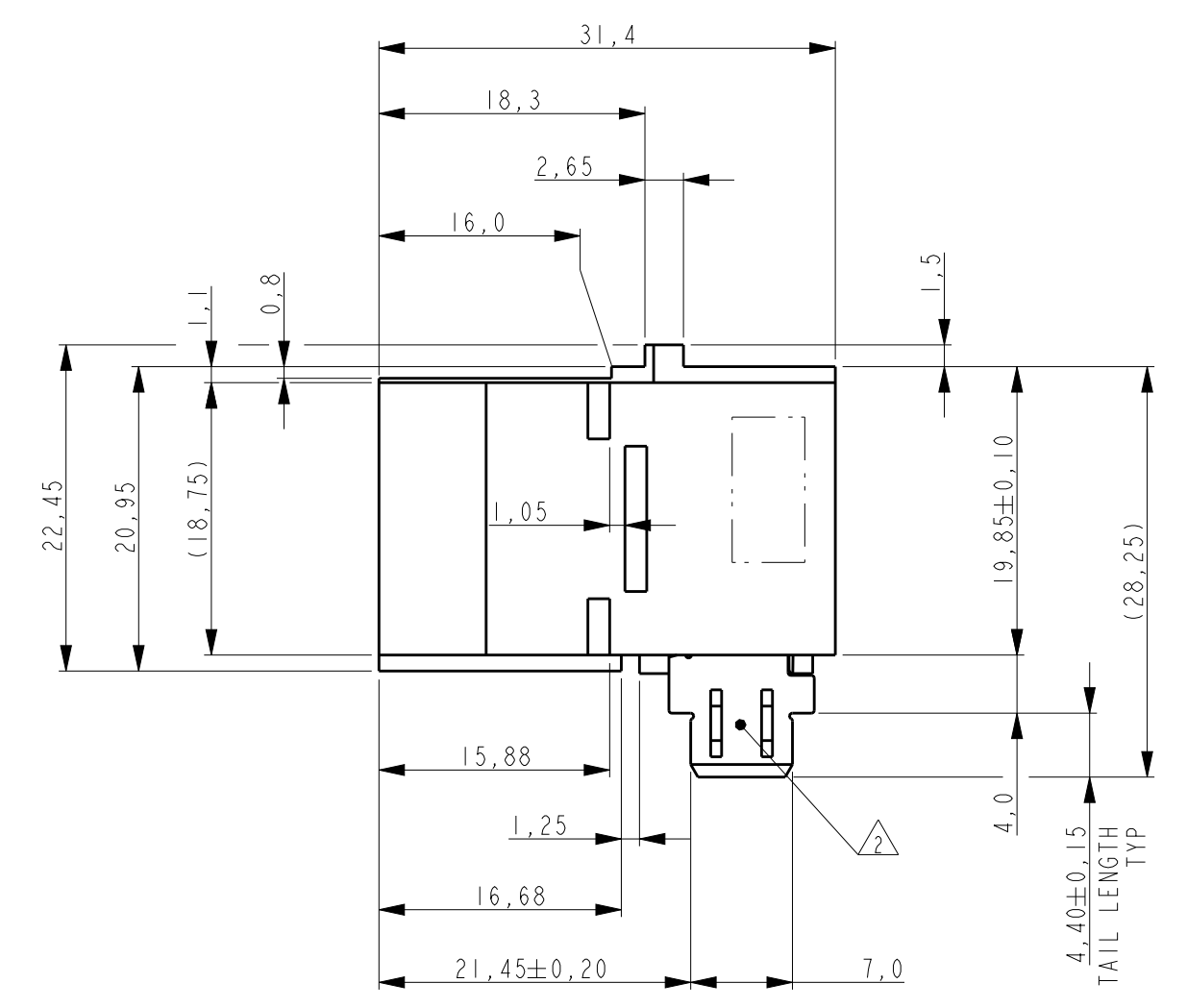
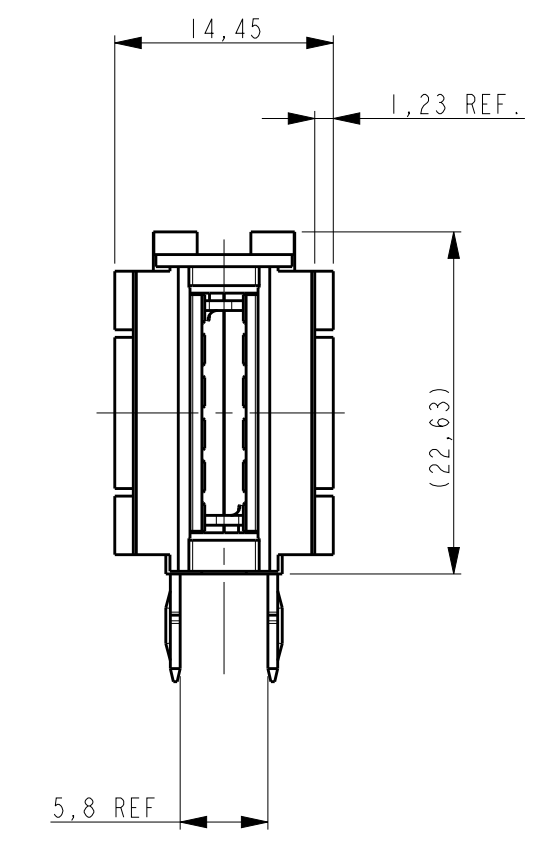
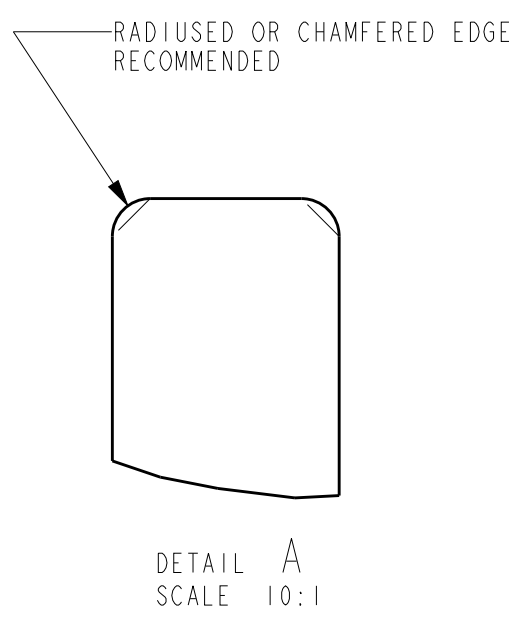
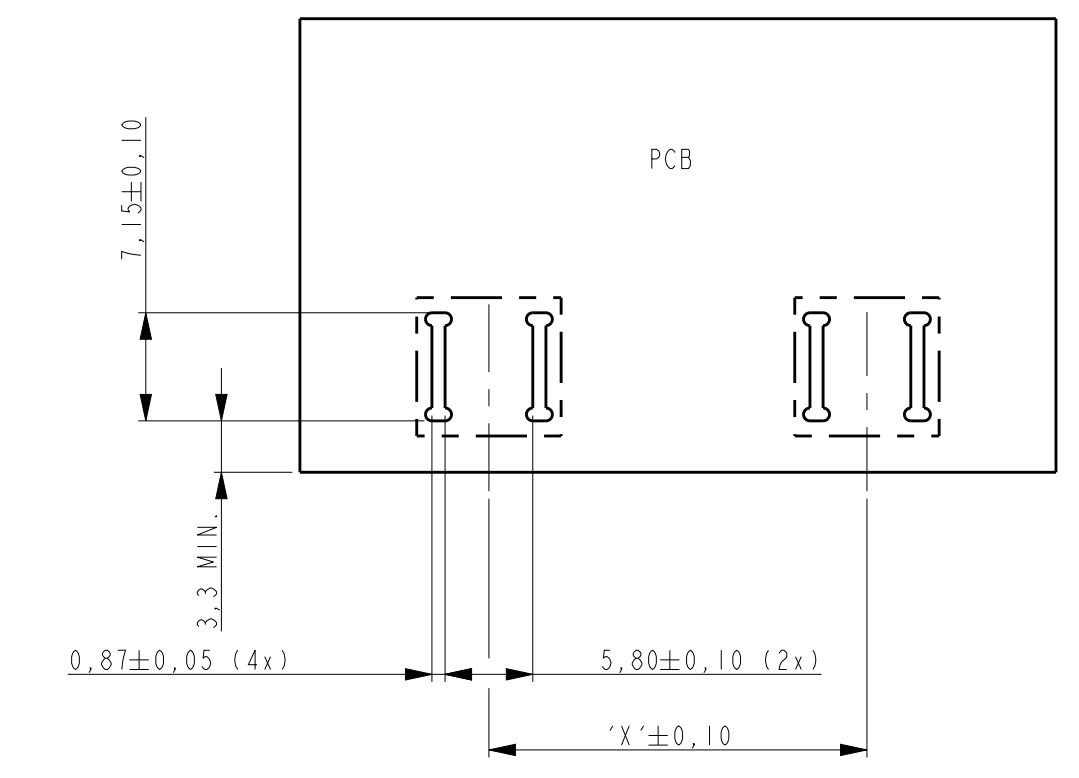


THIS DRAWING IS UNPUBLISHED. RELEASED FOR PUBLICATION  
 © COPYRIGHT - BY - ALL RIGHTS RESERVED.

REVISIONS				
P	LTR	DESCRIPTION	DATE	APVD
A3		REV PER ECR-15-005882	20APR2015	ML SZ



PCB AND BUSBAR-CONDUCTORS, IN THESE VIEWS ARE SHOWN FOR REFERENCE ONLY.



TYCO ELECTRONICS ORDERNUMBER: 2042305-1

ITEM NO.	DESCRIPTION	MATERIAL	FINISH
4	CONTACT LEFT	COPPER ALLOY	SEE NOTE 1
3	CONTACT RIGHT	COPPER ALLOY	SEE NOTE 2
2	CLIP	STAINLESS STEEL	-
1	HOUSING	PBT	BLACK

- NOTES:
- 1 PCB MUST BE SUPPORTED WHILE INSERTING THE CONNECTOR IN THE SLOTS TO AVOID BENDING OF THE BOARD.
  - 2 PLATING: 1,2µm MIN. NICKEL UNDERLAYER ALLOY. 3,0µm MIN. TIN IN INDICATED AREA'S.
  - 3 AREA FOR DATE-CODE
  - 5 MATERIAL:  
 POWER CONTACT: HIGH CONDUCTIVITY COPPER ALLOY.  
 HOUSING: THERMOPLASTIC, BLACK, UL94 V-0.

RECOMMENDED PCB LAY-OUT  
 THICKNESS: 1,5 - 2,0mm

THIS DRAWING IS A CONTROLLED DOCUMENT.		DWN J.VOS 04-Apr-08	TE Connectivity	
DIMENSIONS: mm		CHK R.DAAMEN 04-Apr-08		
TOLERANCES UNLESS OTHERWISE SPECIFIED:		APVD R.VD.SANDT	NAME PLUGGABLE BUSBAR CONNECTOR SOLDER VERSION CROWN CLIP JUNIOR	
0 PLC ±		PRODUCT SPEC 108-19360	SIZE CAGE CODE DRAWING NO	
1 PLC ±0.3		APPLICATION SPEC 114-19128	RESTRICTED TO	
2 PLC ±0.15		WEIGHT -	A2 00779 C-2042305	
3 PLC ±0.050		Customer Drawing	SCALE 2:1 SHEET 1 OF 1 REV A3	
4 PLC ±				
ANGLES ±2°				
FINISH -				