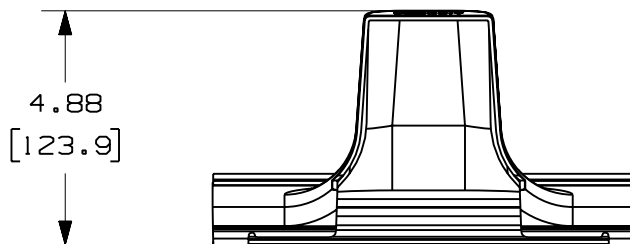
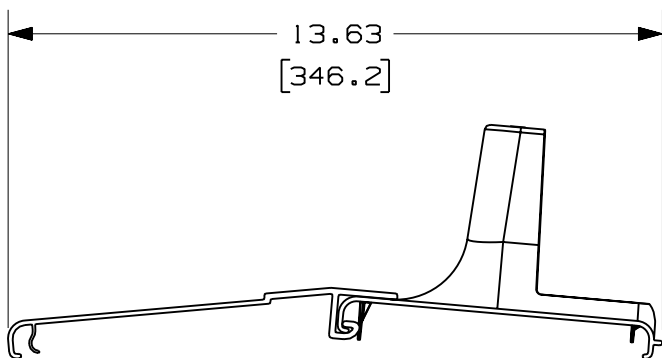
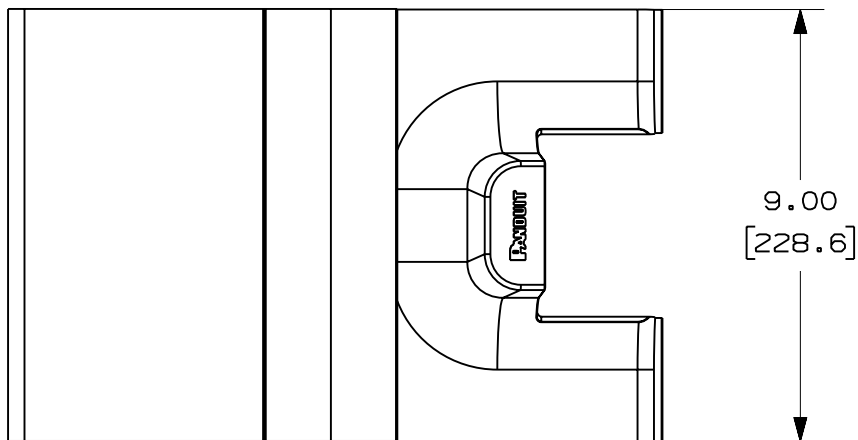


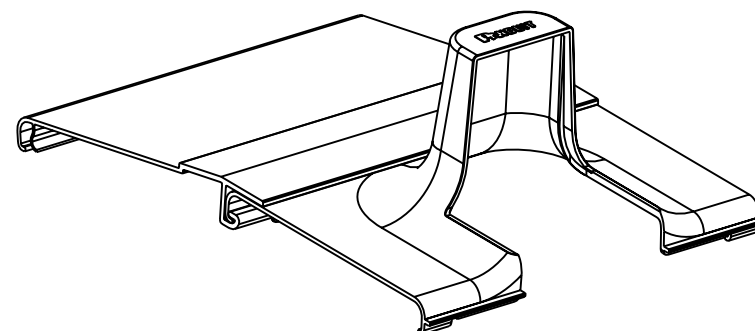
THIS COPY IS PROVIDED ON A RESTRICTED BASIS AND IS NOT TO BE USED IN ANY WAY DETRIMENTAL TO THE INTERESTS OF PANDUIT CORP.



PANDUIT PART NUMBER	WEIGHT
FRSPJC212	0.89 LB/EACH (404g/EACH)

**NOTES:**

1. SEE CURRENT CATALOG FOR ADDITIONAL PART SUFFIXES TO INDICATE COLOR AND/OR PACKAGE QUANTITY.
2. DIMENSIONS IN PARENTHESES ARE IN METRIC.



ENG. REF.: D39851BY\_DC/00 FRSPJC212

CAD FILENAME/LAYERS		FRSPJC212.pdf	
<h1>PANDUIT</h1>		CORP TINLEY PARK, ILLINOIS	
FIBERRUNNER SPILL-OVER JUNCTION WITH 2x2 EXIT - FIBERRUNNER 12x4 CHANNEL COVER (FRSPJC212) CUSTOMER DRAWING			
UNLESS OTHERWISE SPECIFIED, DIMENSIONAL TOLERANCES ARE: (.X) ± (.XXX) ± (.XX) ± .03 (.8) ANGLES ±		UNLESS OTHERWISE SPECIFIED, ALL DIMENSIONS ARE GIVEN IN INCHES, THIRD ANGLE PROJECTION.	
DRAWN BY MSO	MAT'L: ABS/PVC	SCALE NONE	DWG A
DATE 7-6-09	CHK'D EB	DRAWING NO. 39851-22	SIZE A

REV	DATE	BY	CHK	DESCRIPTION	ECN	R	CUST	SUP	GMBH
R	7-6-09	MSO	EB	RELEASED TO PRODUCTION	39851-22	RN	RN		