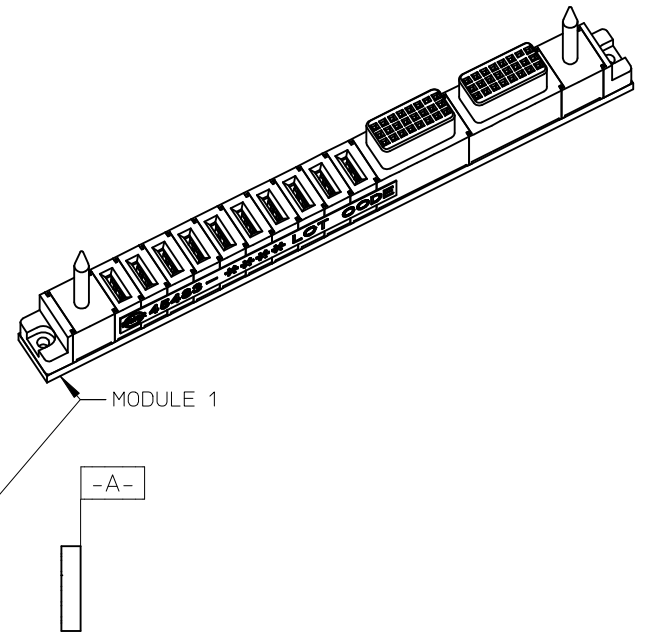
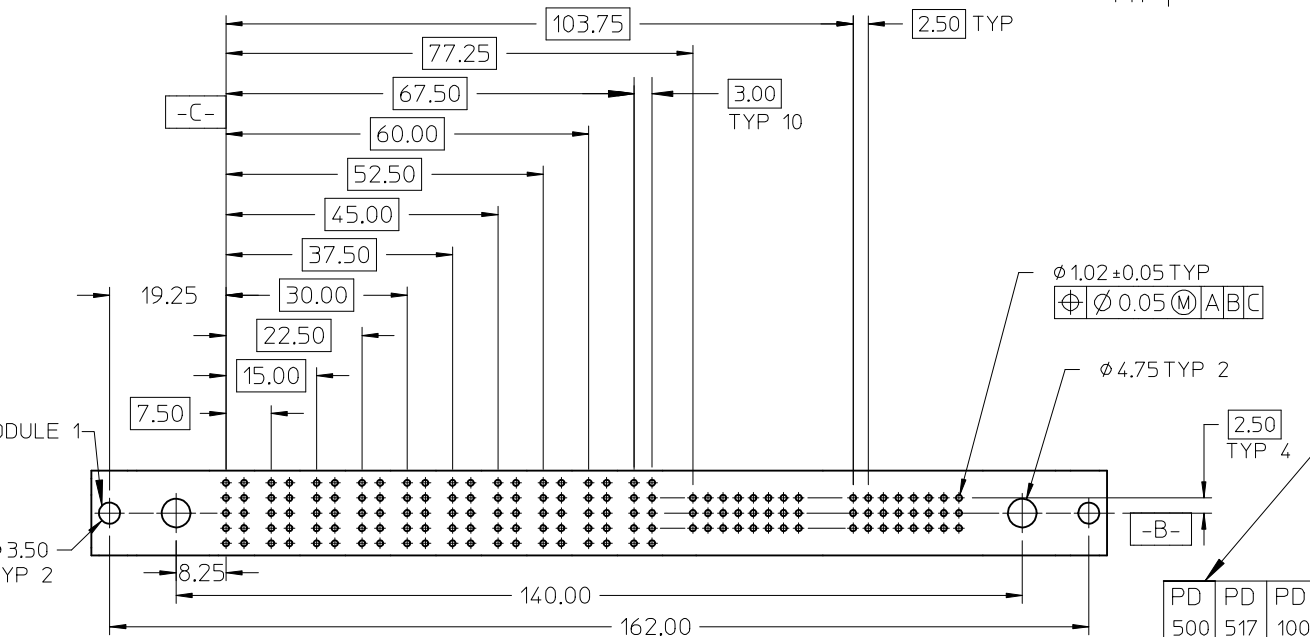
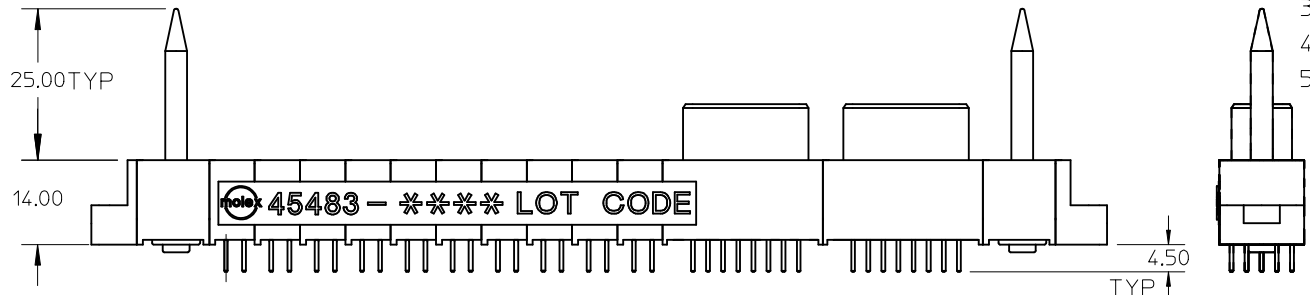


- NOTES:
1. MATERIAL: LCP, GLASS FILLED, UL94V-0, BLACK.
CONTACTS: COPPER ALLOY
 2. FINISH: SELECT GOLD: 30 MI MIN.
SELECT TIN: 100 MI MIN.
BOTH OVER NICKEL.
 3. PRODUCT SPECIFICATION: PS-45424-001.
 4. PACKAGING SPECIFICATION: PK-45483-001.
 5. ACTIVE GUIDE ACCEPTS SCREW SIZE: 4-40 UNC-2A.



PD	PD	PD	PD	PD	PD	PD	PD	PD	PD	PD	PD	PD	PD	PD	PD	PD
500	517	100	100	100	100	100	100	100	100	100	100	301	301	517	501	

PCB LAYOUT: COMPONENT SIDE
PCB THICKNESS: 3.18
PCB TOLERANCE: ±0.05

EC NO: UCP2005-1959
DRWN: ADRATN02005/05/12
CHKD: SAMIEC 2005/05/16
APPR: YMARGULI 2005/05/18

GENERAL TOLERANCES (UNLESS SPECIFIED)	mm	INCH
	4 PLACES ± ---	± ---
	3 PLACES ± ---	± ---
	2 PLACES ± 0.25	± ---
	1 PLACE ± 0.38	± ---
ANGULAR ± 1/2°		
DRAFT WHERE APPLICABLE		
MUST REMAIN WITHIN DIMENSIONS		

SCALE	DESIGN UNITS
1:1.33	METRIC
DIMENSION STYLE	
MM ONLY	
DRAWN BY	DATE
SCHAFFER	
CHECKED BY	DATE
SAMIEC	
APPROVED BY	DATE
MARGULIS	

THIRD ANGLE PROJECTION	REVISE ON CAD ONLY	
TITLE	POWER DOCK ASSEMBLY SOCKET VERTICAL SOLDER TAIL	
Molex	MOLEX INCORPORATED	
MATERIAL NO.	DOCUMENT NO.	SHEET NO.
454830149	SD-45483-149	1 OF 1
THIS DRAWING CONTAINS INFORMATION THAT IS PROPRIETARY TO MOLEX INCORPORATED AND SHOULD NOT BE USED WITHOUT WRITTEN PERMISSION		