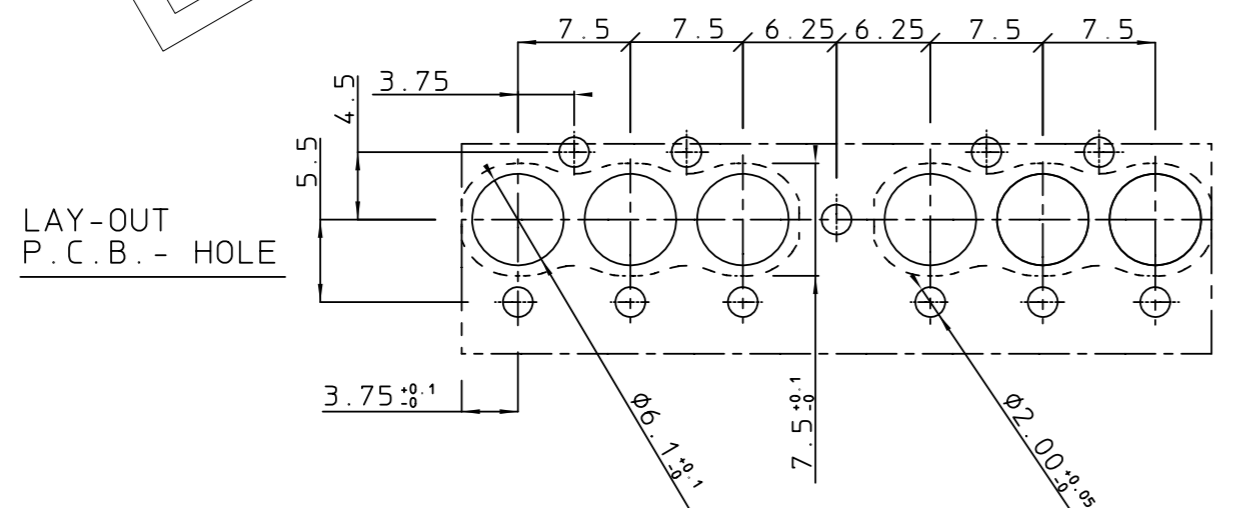
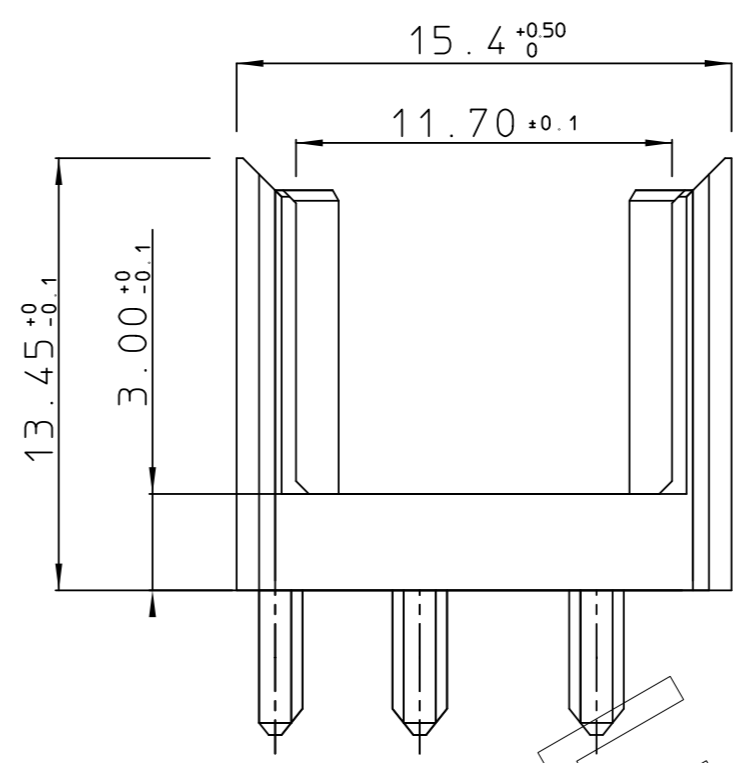
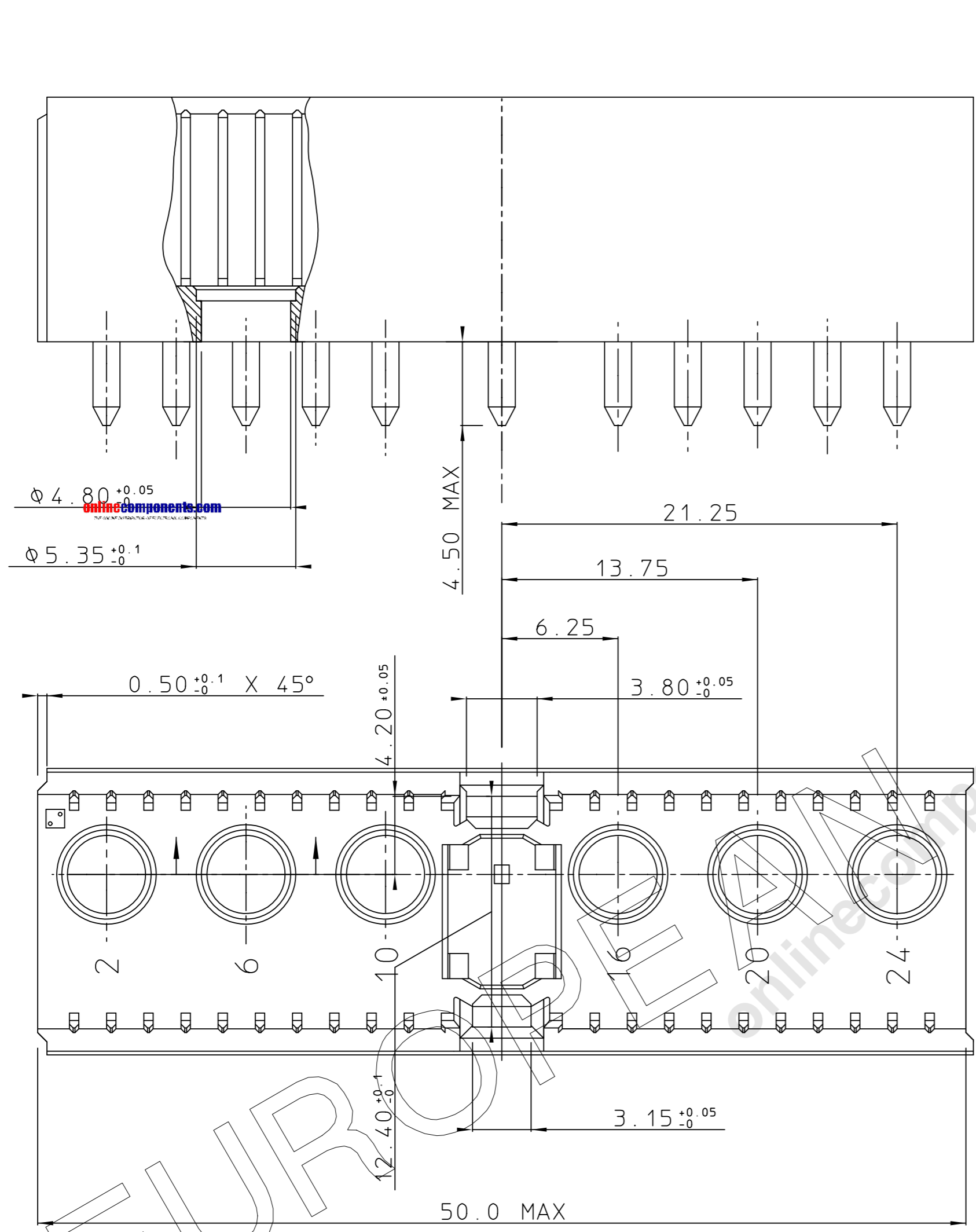


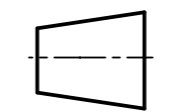
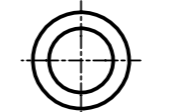

GEN. ST.	01	02	03	04	05	06	07	08	0D	50	60	70	80	90																	
INT. ST.	10	11	12	13	14	18	20	31	32	33	34	38	39	40	42	43	44	45	46	48	56	70	72	73	75	76	81	82	83	84	88

REV.	DATE	DESCRIPTION	BY	C'K'D'
A	14-09-01	CONVERSION REVISION 04	KN	
04	05.06.01	BEC 9.3525	R.M.	



NOTES

1. THIS PRODUCT IS CSA APPROVED.
2. THIS PRODUCT IS UL RECOGNIZED.

MALE BODY FOR 6 SPECIAL CONTACTS (WIDE VERSION)			
1DEC ±0,2 1DEC 2DEC ±0,1 2DEC ANGLES ±1° HOEKEN	<b>APPR.</b>	<b>DATE</b>	<b>SIGN.</b>
WE RESERVE THE RIGHT TO CHANGE DIMENSIONS OR REQUIREMENTS WITHOUT PRIOR NOTICE.	DRAFT	250893	W.Panis
ALL DIMENSIONS IN MM	CHECKED		
 	PROD. MGR.		
ALLE AFMETINGEN IN MM	PR. ENG. MGR.		
	PR. MGT. MGR.		
<b>REFERENCES / REFERENTIES</b>		MILLIPACS 2 / TYPE L	
		<b>CAT. No.</b> HM2P10P1	
		 FCI MECHELEN N.V. A. SPINOYSTRAAAT 8, 2800 MECHELEN	
		SCALE 3 / 1	
		BS,C ,201632,004	
		DRAWING No. CUSTOMER DRAWING	
		REVISION A	

THIS IS OUR EXCLUSIVE PROPERTY. IT IS NOT TO BE COPIED, REPRINTED OR DISCLOSED TO A THIRD PARTY, NOR USED FOR MANUFACTURING WITHOUT OUR WRITTEN CONSENT, AND HAS TO BE RETURNED TO US IN CASE OF NO USAGE

DIT IS ONZE EIGENDOM EN MAG NOCH NAGEMAAKT, HERDRUKT, OVERGEMAAKT AAN DERDEN, NOCH VOOR FABRIKATIE GEBRUIKT WORDEN, ZONDER ONZE SCHRIFTELIJKE TOELATING. BIJ NIET GEBRUIK IS TERUGZENDING VERPLICHT.