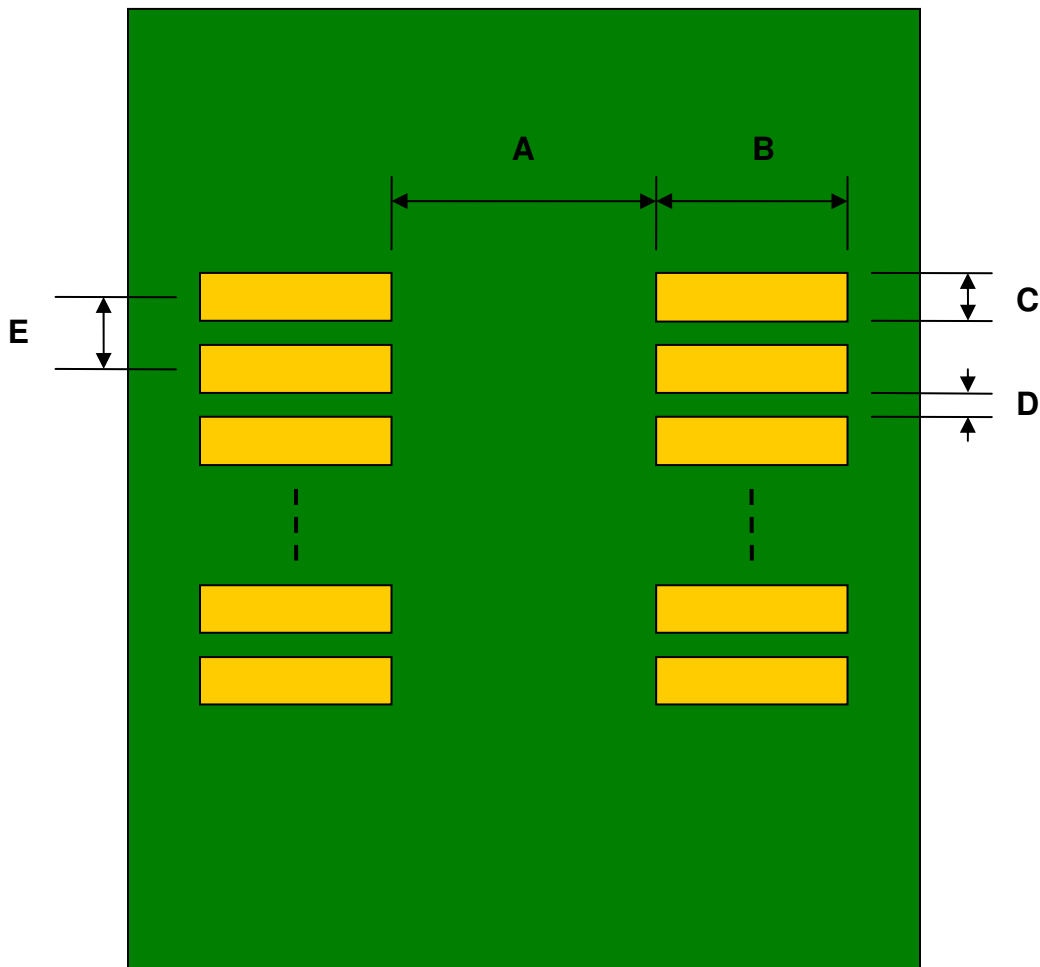


## SOP-36 to DIP-36 SMT Adapter (0.65 mm pitch, 12.8 x 7.5 mm body)

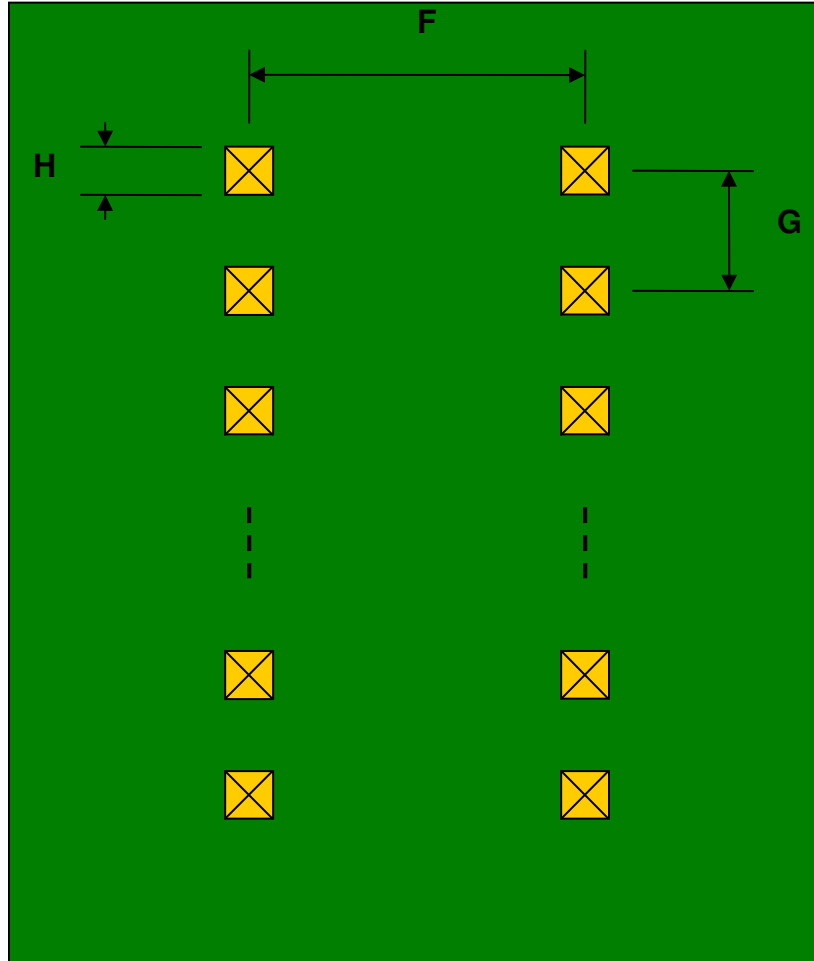
REF.	DIMENSIONS					
	mm			inches		
	MIN.	TYP.	MAX.	MIN.	TYP.	MAX.
A		7.65				
B		2.00				
C		0.40				
D		0.25				
E		0.65				
F					0.600	
G					0.100	
H					0.025	

Top View (SMT Footprint)



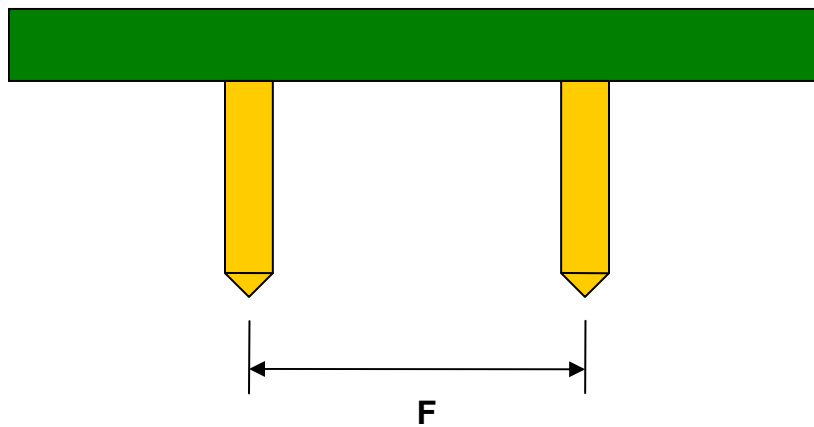
(Representative drawing only - not to scale)

### Bottom View (DIP Pins)



(Representative drawing only - not to scale)

### Side View (DIP Pins)



(Representative drawing only - not to scale)