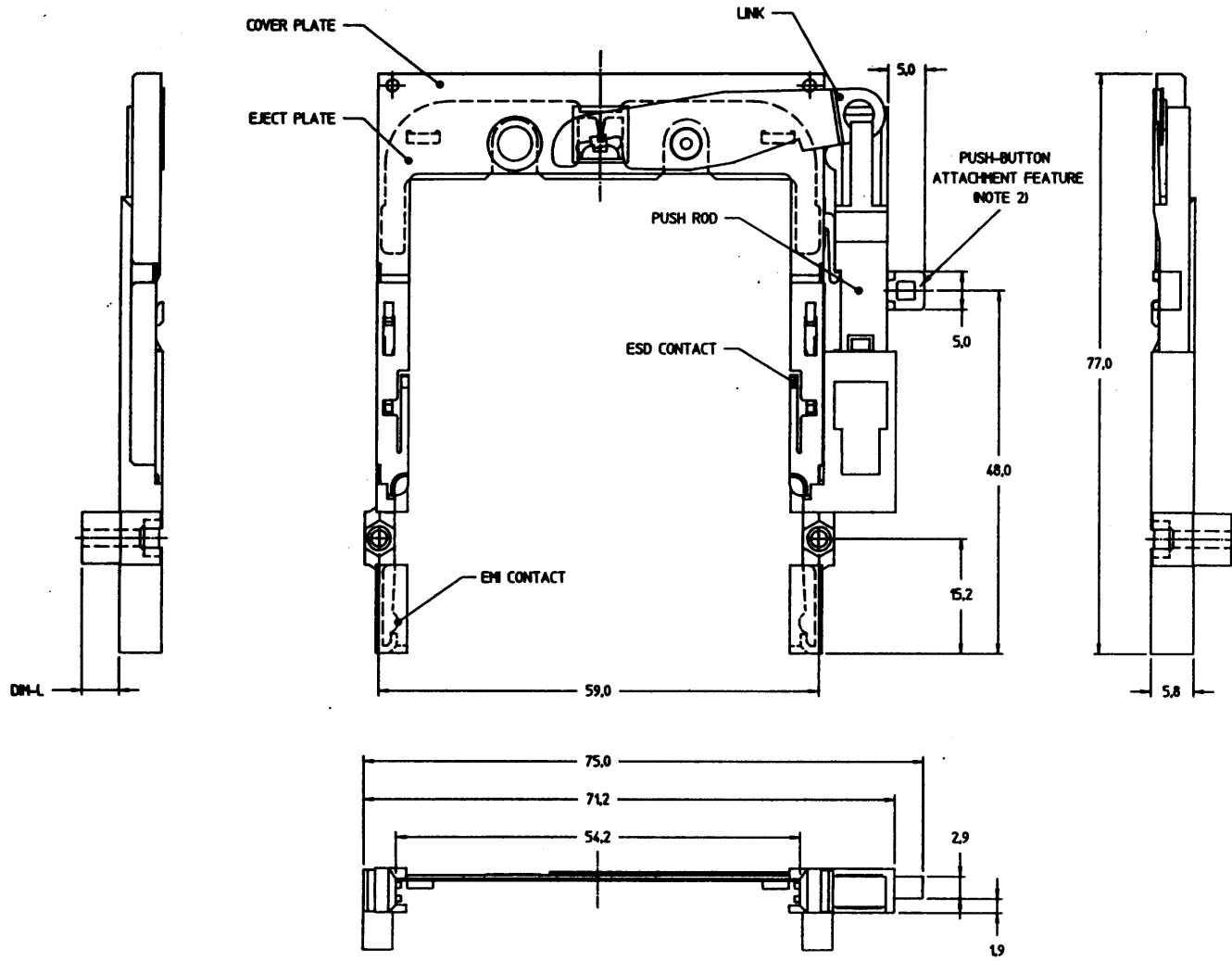


MECHAN	92800-110	92800-111	92800-112
DM-L	0	2.0	5.0



NOTE :

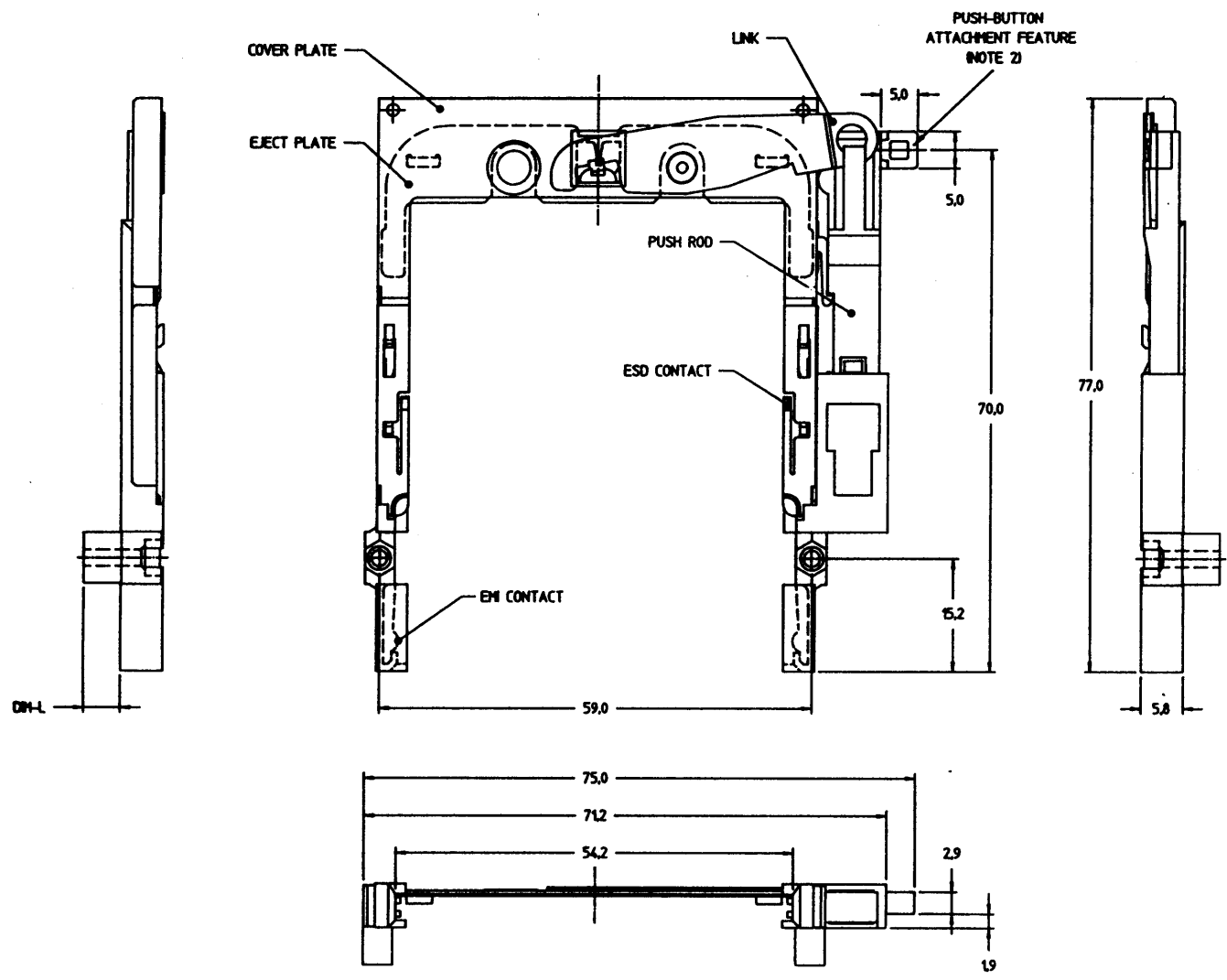
1. EJECT PLATE SHOULD MOVE SMOOTHLY ALONG THE INSIDE WALL OF COVER PLATE AFTER ASSEMBLY WITH THE HEADER.
2. EXTERNAL BUTTON IS TO BE ASSEMBLED BY CUSTOMER ON THE PROVIDED FEATURE. THE BUTTON SHOULD NOT INTERFERE WITH OTHER PARTS, IN ORDER TO ENABLE THE BUTTON TO OPERATE SMOOTHLY.
3. PUSH-BUTTON TRAVEL : 8 mm  
EJECT-PLATE TRAVEL : 4 mm
4. ALL DIMENSIONS ARE FOR REFERENCE ONLY.

**BERG**  
ELECTRONICS

DESCRIPTION  
68P EJECTOR HEADER TYPE-I/II/III  
MECHANISM ASSEMBLY  
DWG. NO. 92800 SHEET 1 OF 4

REV	DESCRIPTION	REVD BY	DATE	GEN. TOLERANCES	NAME	DATE	CUSTOMER COPY
A	RLSD ECR-S30243	L T SOH	03AUG93		DR. L T SOH	20SEP94	SCALE 15:1
B	ECR-S40165	L T SOH	20SEP94	LINEAR	CHK <i>[Signature]</i>	20SEP94	SIZE A3
				ANGLE	APPD. <i>[Signature]</i>		

MECHANISM	92800-120	92800-121	92800-122
DM-L	0	2.0	5.0



NOTE :

1. EJECT PLATE SHOULD MOVE SMOOTHLY ALONG THE INSIDE WALL OF COVER PLATE AFTER ASSEMBLY WITH THE HEADER.
2. EXTERNAL BUTTON IS TO BE ASSEMBLED BY CUSTOMER ON THE PROVIDED FEATURE. THE BUTTON SHOULD NOT INTERFERE WITH OTHER PARTS, IN ORDER TO ENABLE THE BUTTON TO OPERATE SMOOTHLY.
3. PUSH-BUTTON TRAVEL : 8 mm  
EJECT-PLATE TRAVEL : 4 mm
4. ALL DIMENSIONS ARE FOR REFERENCE ONLY.

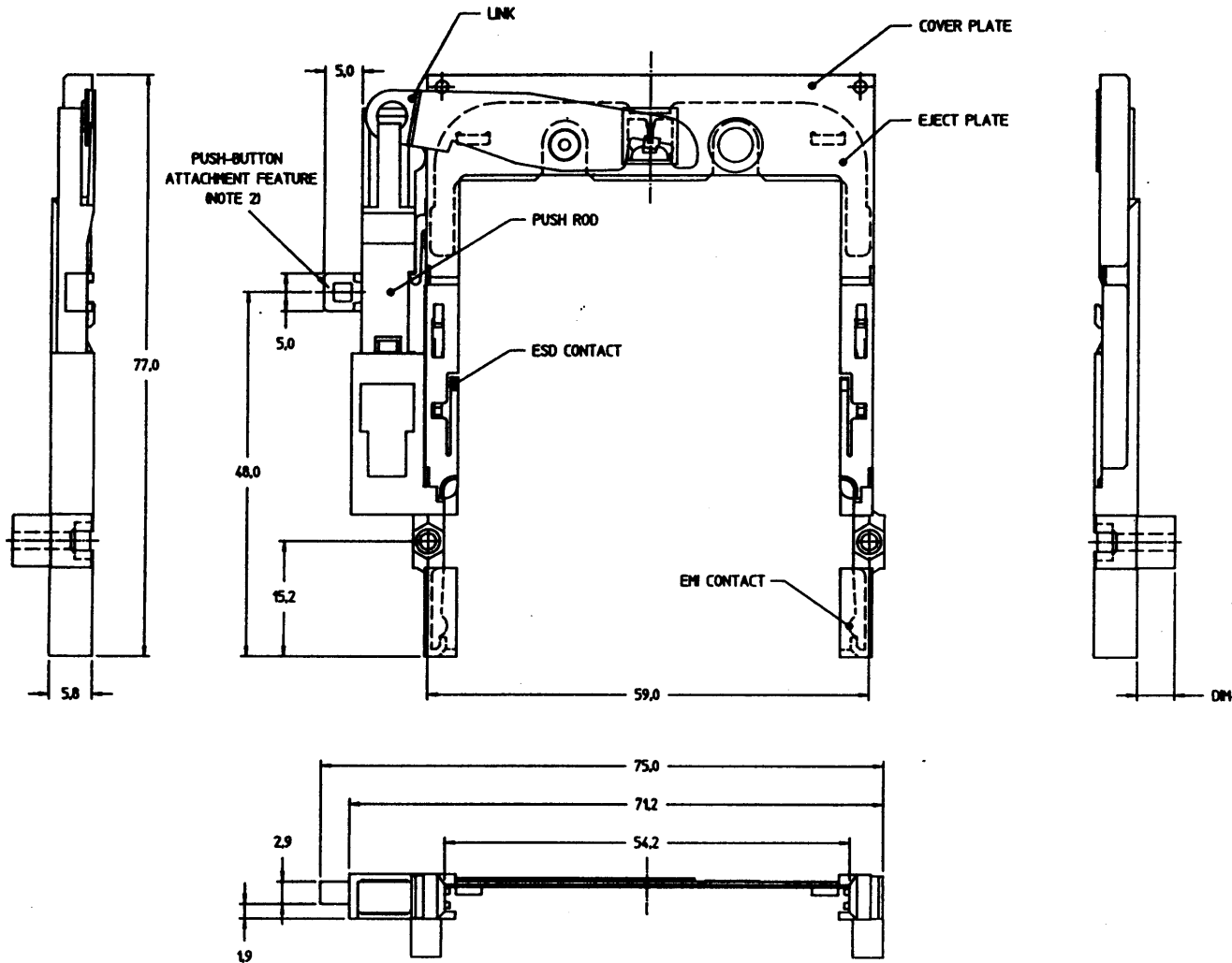
**BERG**  
ELECTRONICS

DESCRIPTION  
68P EJECTOR HEADER TYPE-I/II/III  
MECHANISM ASSEMBLY

DMG. NO. 92800 SHEET 2 OF 4

REV	DESCRIPTION	REVD BY	DATE	GEN. TOLERANCES	NAME	DATE	CUSTOMER COPY
A	RLSD ECR-S30243	L T SOH	03AUG93		DR. L T SOH	20SEP94	
B	ECR-S40165	L T SOH	20SEP94	LINEAR	CHK. <i>[Signature]</i>	20SEP94	
				ANGLE	APPD. <i>[Signature]</i>	20SEP94	

.MECHANIS	92800-210	92800-211	92800-212
DM-L	0	2.0	5.0



NOTE :

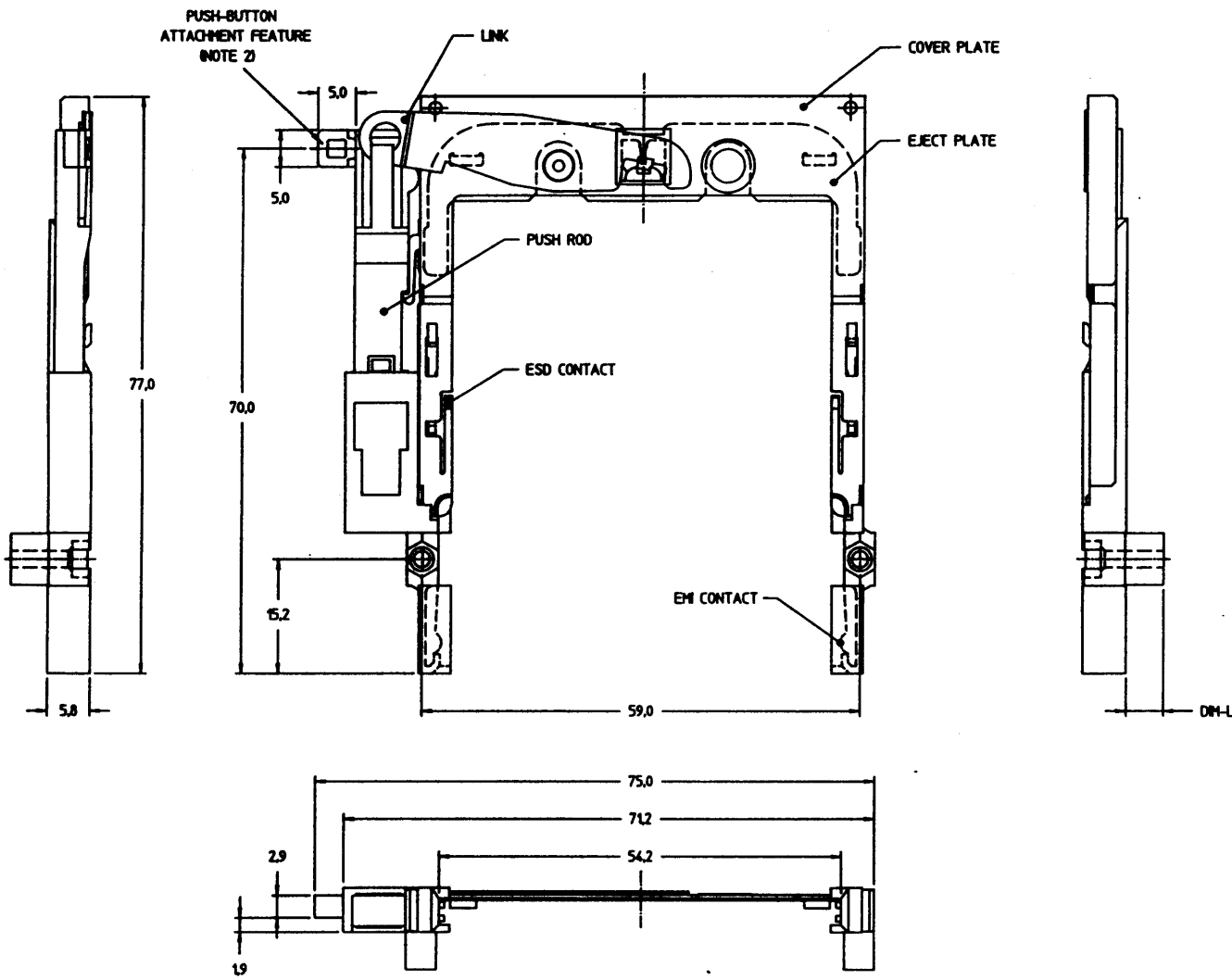
1. EJECT PLATE SHOULD MOVE SMOOTHLY ALONG THE INSIDE WALL OF COVER PLATE AFTER ASSEMBLY WITH THE HEADER.
2. EXTERNAL BUTTON IS TO BE ASSEMBLED BY CUSTOMER ON THE PROVIDED FEATURE. THE BUTTON SHOULD NOT INTERFERE WITH OTHER PARTS, IN ORDER TO ENABLE THE BUTTON TO OPERATE SMOOTHLY.
3. PUSH-BUTTON TRAVEL : 8 mm  
EJECT-PLATE TRAVEL : 4 mm
4. ALL DIMENSIONS ARE FOR REFERENCE ONLY.

**BERG**  
ELECTRONICS

DESCRIPTION  
68P EJECTOR HEADER TYPE-I/II/III  
MECHANISM ASSEMBLY

REV	DESCRIPTION	REV'D BY	DATE	GEN. TOLERANCES	NAME	DATE	CUSTOMER COPY	UNIT	SIZE	DWG. NO.	SHEET
A	RLSD ECR-S30243	L T SOH	03AUG93		DR.	L T SOH	20SEP94	MM	A3	92800	3 OF 4
B	ECR-S40165	L T SOH	20SEP94	LINEAR	CHK.	<i>[Signature]</i>	<i>[Date]</i>	MM	A3	92800	3 OF 4
				ANGLE	APPD.	<i>[Signature]</i>	<i>[Date]</i>	MM	A3	92800	3 OF 4

MECHANIS	92800-220	92800-221	92800-222
DM-L	0	2.0	5.0



- NOTE :
1. EJECT PLATE SHOULD MOVE SMOOTHLY ALONG THE INSIDE WALL OF COVER PLATE AFTER ASSEMBLY WITH THE HEADER.
  2. EXTERNAL BUTTON IS TO BE ASSEMBLED BY CUSTOMER ON THE PROVIDED FEATURE. THE BUTTON SHOULD NOT INTERFERE WITH OTHER PARTS. IN ORDER TO ENABLE THE BUTTON TO OPERATE SMOOTHLY.
  3. PUSH-BUTTON TRAVEL : 8 mm  
EJECT-PLATE TRAVEL : 4 mm
  4. ALL DIMENSIONS ARE FOR REFERENCE ONLY.



REV	DESCRIPTION	REVD BY	DATE	GEN. TOLERANCES	NAME	DATE	CUSTOMER COPY
A	RLSD ECR-S30243	L T SOH	03AUG93		DR. L T SOH	20SEP94	 SCALE 15:1
B	ECR-S40165	L T SOH	20SEP94	LINEAR	CHK. <i>[Signature]</i>	20SEP94	
				ANGLE	APPD. <i>[Signature]</i>	20SEP94	 SIZE A3

DESCRIPTION	
68P EJECTOR HEADER TYPE-I/II/III MECHANISM ASSEMBLY	
DWG. NO. 92800	SHEET 4 OF 4