

注記 NOTES

1. 嵌合相手: 53307-***17,53307-***27,53309-***17,53309-***27
MATES WITH
2. ハウジングの C から隣接するターミナルの C 迄の位置を示す。
SHOW POSITION FROM C OF HOUSING TO C OF ADJACENT TERMINALS.
3. 一對の基板の嵌合に於いて、本製品を2個以上使用することは推奨できません。
MXJ DOSE NOT RECOMMEND THE USAGE OF TWO OR MORE OF THESE CONNECTORS BETWEEN A SINGLE PAIR OF P. C. BOARD.

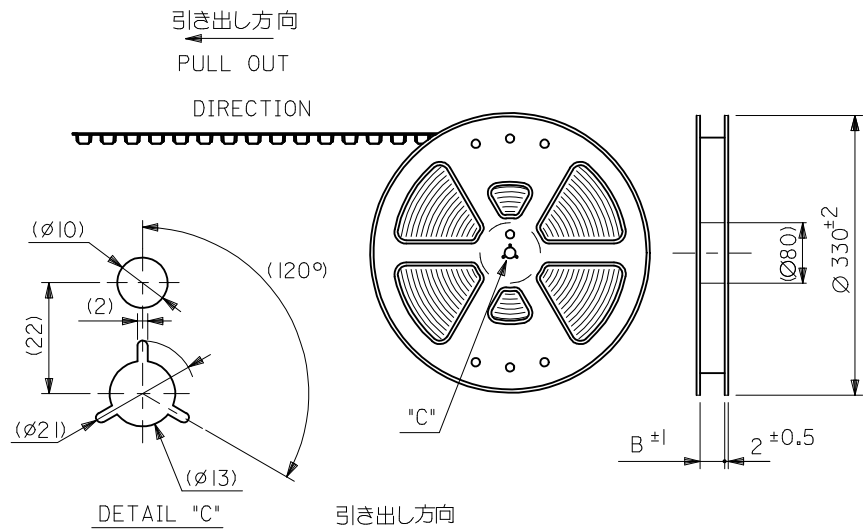
0.4	17.6	16.85	15.2	52465-4027	40
0.8	16.8	16.05	14.4	-3827	38
0.4	16.0	15.25	13.6	-3627	36
0.8	15.2	14.45	12.8	-3427	34
0.4	14.4	13.65	12.0	-3227	32
0.8	13.6	12.85	11.2	-3027	30
0.4	12.8	12.05	10.4	-2827	28
0.8	12.0	11.25	9.6	-2627	26
0.4	11.2	10.45	8.8	-2427	24
0.8	10.4	9.65	8.0	-2227	22
0.4	9.6	8.85	7.2	-2027	20
0.8	8.8	8.05	6.4	-1827	18
0.4	8.0	7.25	5.6	-1627	16
0.8	7.2	6.45	4.8	-1427	14
0.4	6.4	5.65	4.0	-1227	12
0.8	5.6	4.85	3.2	52465-1027	10
D	C	B	A	ENG. NO.	極数 CKT.

角度 ANGLE	±3°								
30以上 OVER	+0.3	B	変更 REVISD (JC60753)	FA	YM	96/4/18			
10以上 30未滿 UNDER	+0.25	A	変更 REVISD (J21207)	TI	ST	93/1/27			
10未滿 UNDER	+0.2	O	新規作成 PROPOSED (J11001)	Y	ST	91/11/15			
一般公差 GENERAL TOLERANCES		記号 LTR	変更内容 REVISION RECORD	DR. CHK.	日付 DATE				

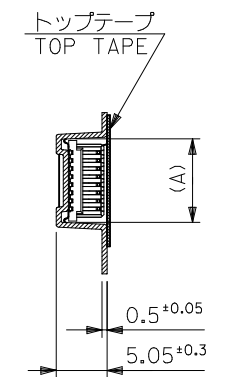
材料 MATERIAL	図中参照 SEE DRAWING
仕上げ FINISH	—
適用電線範囲 WIRE RANGE	—
被覆外径 INS. RANGE	—
DRAWN BY '91/11/14	CHK'D BY '96/4/18
K.ASAKAWA	Y.M. M.FUKUSHIMA
APP'D BY '96/4/18	尺 度 SCALE
M.FUKUSHIMA	—

molex MOLEX-JAPAN CO.,LTD. 日本モレックス株式会社	
REVISE ONLY ON CAD SYSTEM	
TITLE 名称	
0.8 BOARD TO BOARD CONN. HOUSING ASS'Y SMT (WITHOUT BOSS)	
DWG. NO.	REV
SD-52465-***27	B

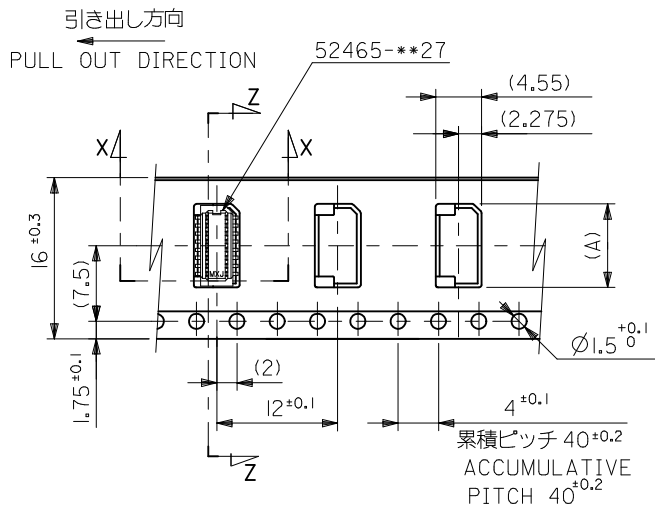
注記 NOTES



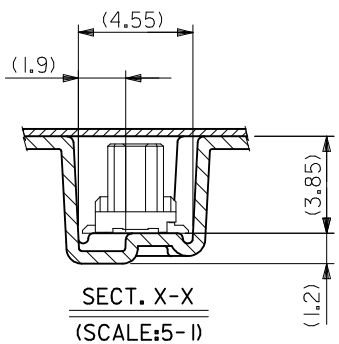
DETAIL "C"



SECT. Z-Z

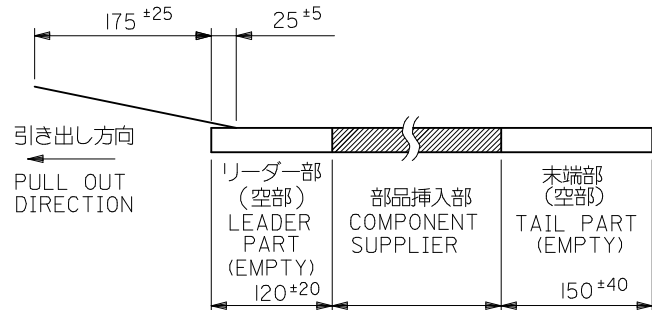


16mm幅キャリアテープ
16mm WIDTH CARRIER TAPE

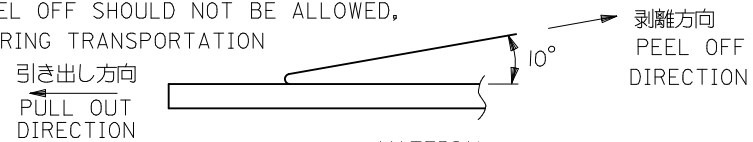


SECT. X-X
(SCALE:5-1)

1. 梱包数量：1000個/リール NUMBER OF CONNECTORS:1000PCS/REEL
2. リードテープ長さ LEAD TAPE LENGTH
 トップテープ TOP TAPE
 リーダー部 LEADER PART トップテープ TOP TAPE
 未接着部 NON-BONDED PART



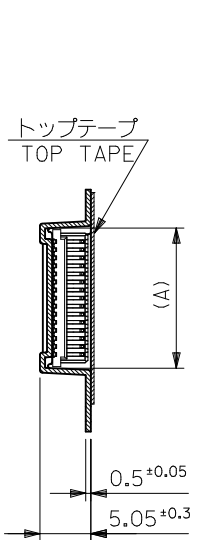
3. トップテープの剥離強度：(剥離方向は下図参照)
 0. 1N~0. 7N (10. 2gf~71. 4gf) 尚、本規格値は、出荷時に適用。
 (但し、輸送時に剥離が発生しない事。)
 PEELING OFF FORCE OF TOP TAPE
 0. 1N~0. 7N(10. 2gf~71. 4gf)(PEELING DIRECTION AS SHOWN IN FOLLOWING FIG.)
 THIS REQUIREMENT SHOULD BE APPLIED AT SHIPMENT
 PEEL OFF SHOULD NOT BE ALLOWED,
 DURING TRANSPORTATION



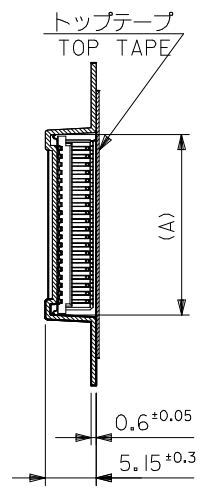
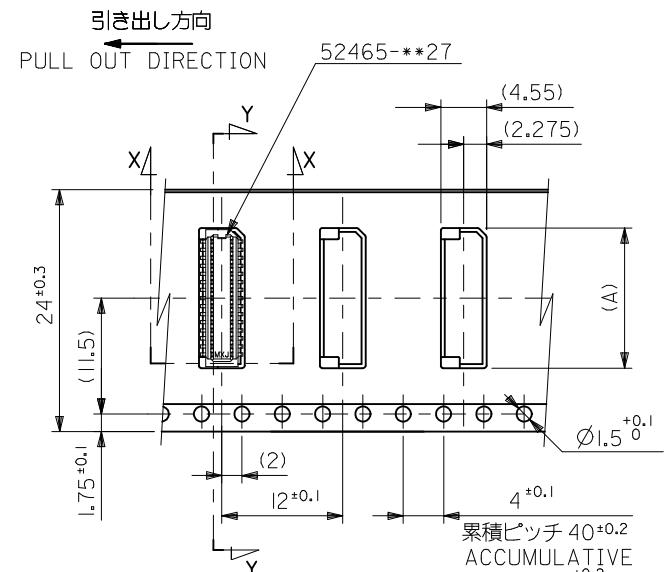
4. 材料
 キャリアテープ：ポリプロピレン (PP) CARRIER TAPE:POLYPROPYLENE
 トップテープ：PET, PE, PEF TOP TAPE:PET,PE,PEF
 リール：ポリスチレン (PS) REEL:POLYSTYRENE(PS)
 <リサイクル材を含む> <RECYCLE MATERIAL CONTAINED>

16	17.5	6.7	52465-1291	12
		5.9	52465-1091	10
キャリアテープ幅 CARRIER TAPE WIDTH	B	(A)	MATERIAL NO.	極数 CIRCUIT

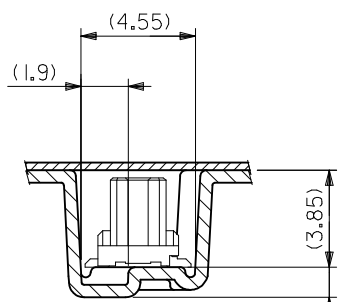
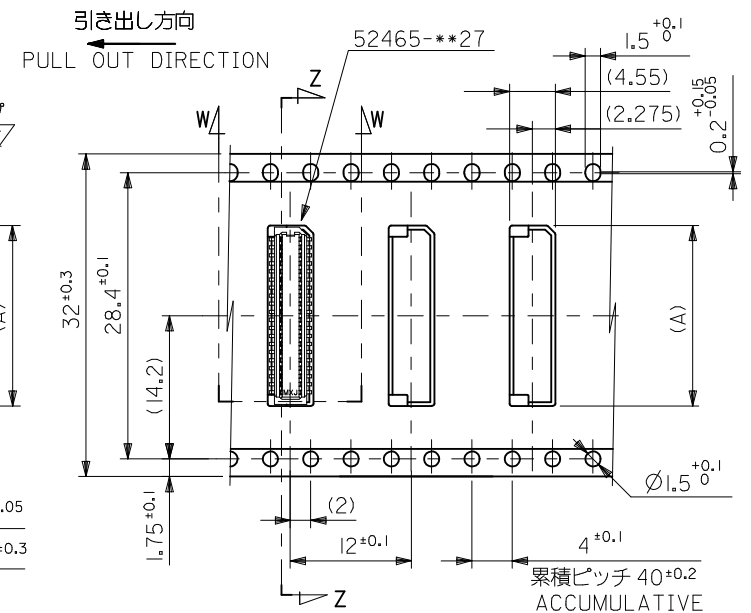
REVISED EC NO: J2009-1417 DRWN:KAKURAA 2008/12/15 CHKD:T. HARUYAMA 2008/12/15 APPR:NIKI ITA 2009/01/14	DESCRIPTION	GENERAL TOLERANCES (UNLESS SPECIFIED)		DIMENSION STYLE MM ONLY		SCALE ---	DESIGN UNITS METRIC	MODEL NO. 52465-***91	
		10 UNDER	± ---	DRAWN BY K. ASAKAWA	DATE '91/11/22	TITLE 0.8 B-T-O-B HSG ASSY SMT EMBSTP PKG			
		10 OVER 30 UNDER	± ---	CHECKED BY T. ITO	DATE '00/12/20	APPROVED BY M. FUKUSHIMA '00/12/20			
		30 OVER	± ---	MATERIAL NO. SEE TABLE		DOCUMENT NO. SD-52465-041		SHEET NO. 1 OF 2	
ANGULAR ± --- °		DRAFT WHERE APPLICABLE MUST REMAIN WITHIN DIMENSIONS		THIS DRAWING CONTAINS INFORMATION THAT IS PROPRIETARY TO MOLEX INCORPORATED AND SHOULD NOT BE USED WITHOUT WRITTEN PERMISSION					



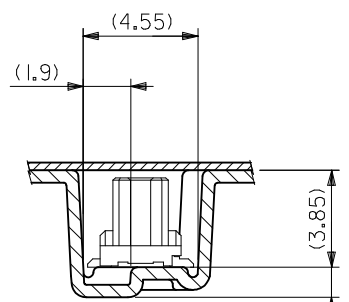
SECT. Y-Y



SECT. Z-Z



SECT. X-X
(SCALE; 5:1)



SECT. W-W
(SCALE; 5:1)

32	33.5	17.9	52465-4091	40
24	25.5	14.7	52465-3291	32
		13.1	52465-2891	28
		12.3	52465-2691	26
		9.9	52465-2091	20
キャリアテープ幅 CARRIER TAPE WIDTH	B	(A)	MATERIAL NO.	極数 CIRCUIT

REVISED EC NO: J2009-1417 DRWN: MAKURAA 2008/12/15 CHKD: T. HARUYAMA 2008/12/15 APPR: NUKITA 2009/01/14	GENERAL TOLERANCES (UNLESS SPECIFIED)		DIMENSION STYLE MM ONLY		SCALE ---	DESIGN UNITS METRIC	MODEL NO. 52465-***91	
	10 UNDER	± ---	DRAWN BY K. ASAKAWA	DATE '91/11/22	TITLE 0.8 B-T-O-B HSG ASSY SMT EMBSTP PKG			
	10 OVER 30 UNDER	± ---	CHECKED BY T. ITO	DATE '00/12/20	APPROVED BY M. FUKUSHIMA '00/12/20			
	30 OVER	± ---	MATERIAL NO.		MOLEX INCORPORATED		SHEET NO. 2 OF 2	
	ANGULAR ± --- °		SEE TABLE		DOCUMENT NO. SD-52465-041			
DRAFT WHERE APPLICABLE MUST REMAIN WITHIN DIMENSIONS		THIS DRAWING CONTAINS INFORMATION THAT IS PROPRIETARY TO MOLEX INCORPORATED AND SHOULD NOT BE USED WITHOUT WRITTEN PERMISSION						