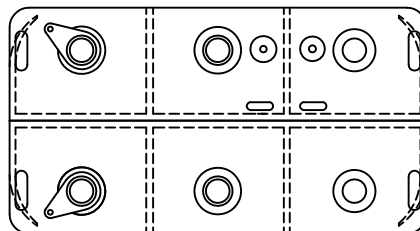
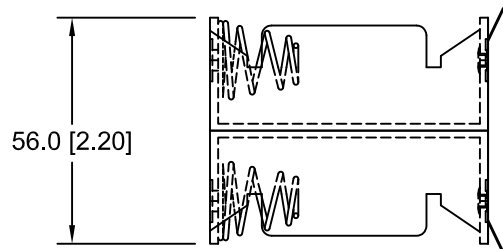
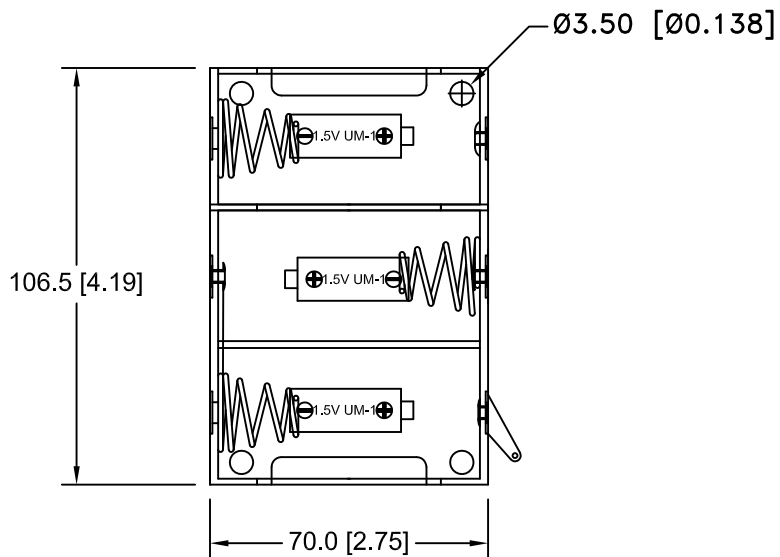



Date	SYM	REVISION RECORD	AUTH	DR.	CK.
09/19/14	A	REDRAWN IN AUTOCAD UPDATED TO ROHS 2 COMPLIANT	T.B.	B.S.	
03/17/17	B	DIM. 70.0 WAS 70.5 DIM. 56.0 WAS 57.0	T.B.	B.S.	
03/31/17	C	ADDED DIM. Ø3.50	T.B.	B.S.	



NOTES:

1. MATERIAL:

HOUSING : BLACK POLYPROPYLENE
 FLAMMABILITY RATING -UL94-HB, UL FILE NO. E216959
 TEMPERATURE RANGE: -10°C to +100°C
 RIVETS: BRASS, NICKEL PLATED.
 SPRING: SPRING STEEL, NICKEL PLATED.
 CONTACT RESISTANCE: UNDER 50mΩ FOR +/- CONTACTS PER
 EIA-540J000
 ROHS 2 COMPLIANT.

Tolerance (Except as noted)	 Memory Protection Devices, Inc 200 Broad Hollow Road, Farmingdale, New York 11735		
decimal ±.5 (.020)		Scale	Drawn By B.S. Approved By T.B.
Fractional ± .8 (.030)	Title SIX "D" CELL HOLDER WITH SOLDER LUGS		
Angular ± 3°	Date 03/31/17	Drawing Number BH36DL	