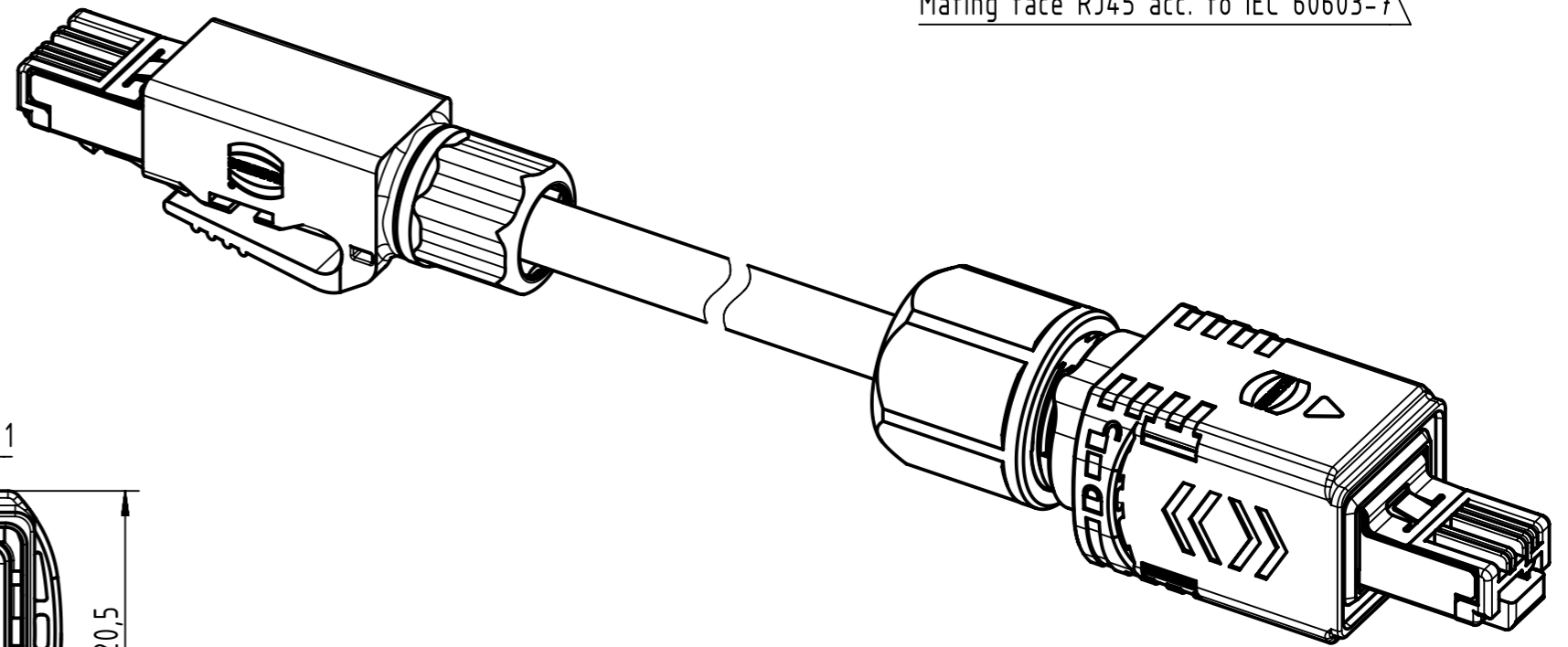
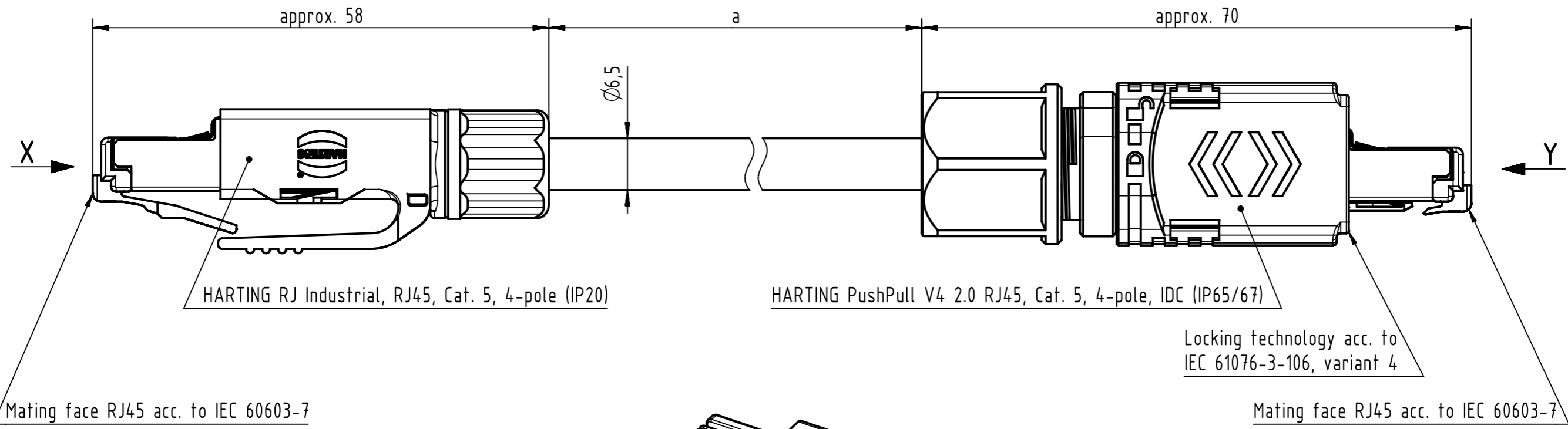


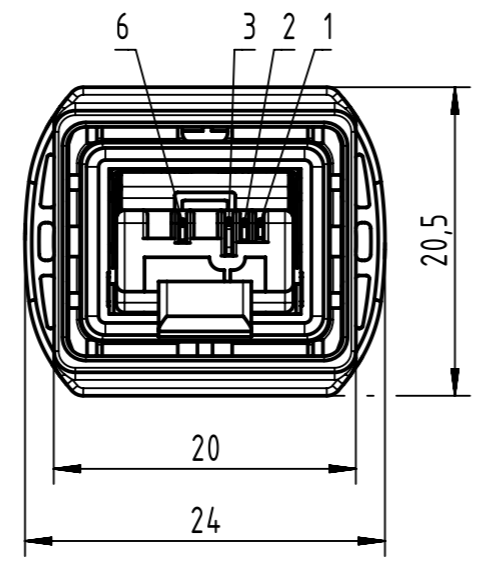
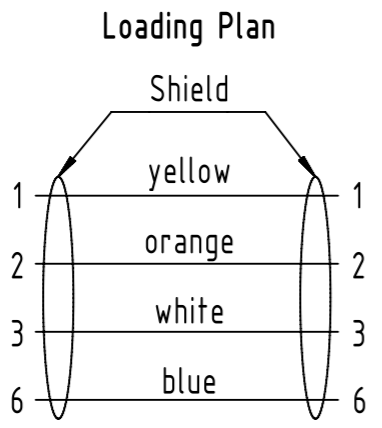
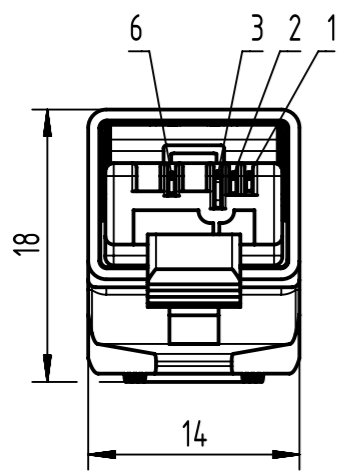
Connector Location A

Connector Location B



X male

Y male



- Temperature range: -40°C ... +70°C

	All rights reserved		Created by STOCHECIC Stocbeci		Inspected by COSTEA Costea		Standardisation MUNTEANV Muntean		Date 2019-10-30		State Final Release		
	Department HCS - RO		Title RJ45 IP20 - PPv4, 4xAWG22		Doc-Key / ECM-Nr. 100155407/UGD/024/F 500000159777		Rev. F		Page 1/2				
HARTING Customised Solutions D-32339 Espelkamp		Type TB		Number 0945701XXXX									

Cont. no.	Part no.	Type of cable	Dim. a[m]	
44	09457010083	RJI Ethernet Stranded Cable, 4xAWG 22/7, PVC outdoor, Cat. 5+, black	100	
43	09457010082		90	
42	09457010081		80	
41	09457010080		70	
40	09457010079		60	
39	09457010078		50	
38	09457010077		40	
37	09457010076		30	
36	09457010075		20	
35	09457010074		15	
34	09457010073		10	
33	09457010072		9	
32	09457010071		8	
31	09457010070		7	
30	09457010069		6	
29	09457010068		5	
28	09457010067		4	
27	09457010066		3	
26	09457010065		2	
25	09457010064		1.5	
24	09457010063		1	
23	09457010062		0.5	
22	09457010061		RJI Ethernet Trailing Cable, 4xAWG 22/7, PUR, Cat. 5+, green	100
21	09457010060			90
20	09457010059			80
19	09457010058			70
18	09457010057	60		
17	09457010056	50		
16	09457010055	40		
15	09457010054	30		
14	09457010053	20		
13	09457010052	15		
12	09457010051	10		
11	09457010031	9		
10	09457010030	8		
9	09457010029	7		
8	09457010028	6		
7	09457010027	5		
6	09457010026	4		
5	09457010025	3		
4	09457010024	2		
3	09457010023	1.5		
2	09457010022	1		
1	09457010021	0.5		

Cont. no.	Part no.	Type of cable	Dim. a[m]	
88	09457011183	RJI Ethernet Stranded Cable, 4xAWG 22/7, PVC, Cat. 5+, green	100	
87	09457011182		90	
86	09457011181		80	
85	09457011180		70	
84	09457011179		60	
83	09457011178		50	
82	09457011177		40	
81	09457011176		30	
80	09457011175		20	
79	09457011174		15	
78	09457011173		10	
77	09457011172		9	
76	09457011171		8	
75	09457011170		7	
74	09457011169		6	
73	09457011168		5	
72	09457011167		4	
71	09457011166		3	
70	09457011165		2	
69	09457011164		1.5	
68	09457011163		1	
67	09457011162		0.5	
66	09457011161		RJI Ethernet Standard Cable, 4xAWG 22/1, PVC, Cat. 5+, green	100
65	09457011160			90
64	09457011159			80
63	09457011158			70
62	09457011157	60		
61	09457011156	50		
60	09457011155	40		
59	09457011154	30		
58	09457011153	20		
57	09457011152	15		
56	09457011151	10		
55	09457011131	9		
54	09457011130	8		
53	09457011129	7		
52	09457011128	6		
51	09457011127	5		
50	09457011126	4		
49	09457011125	3		
48	09457011124	2		
47	09457011123	1.5		
46	09457011122	1		
45	09457011121	0.5		

	All rights reserved	Created by STOCHECIC StocheCi	Inspected by COSTEA Costea	Standardisation MUNTEANV Muntean	Date 2019-10-30	State Final Release
	Department HCS - RO	Title RJ45 IP20 - PPv4, 4xAWG22		Doc-Key / ECM-Nr. 100155407/UGD/024/F 500000159777		
HARTING Customised Solutions D-32339 Espelkamp	Type TB	Number 0945701XXXX		Rev. F	Page 2/2	