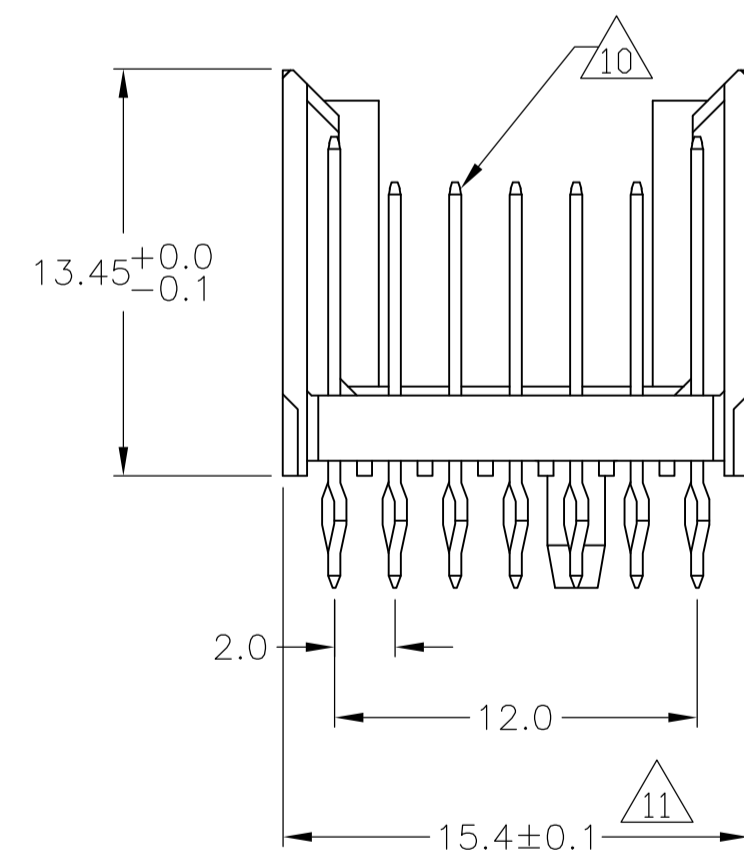
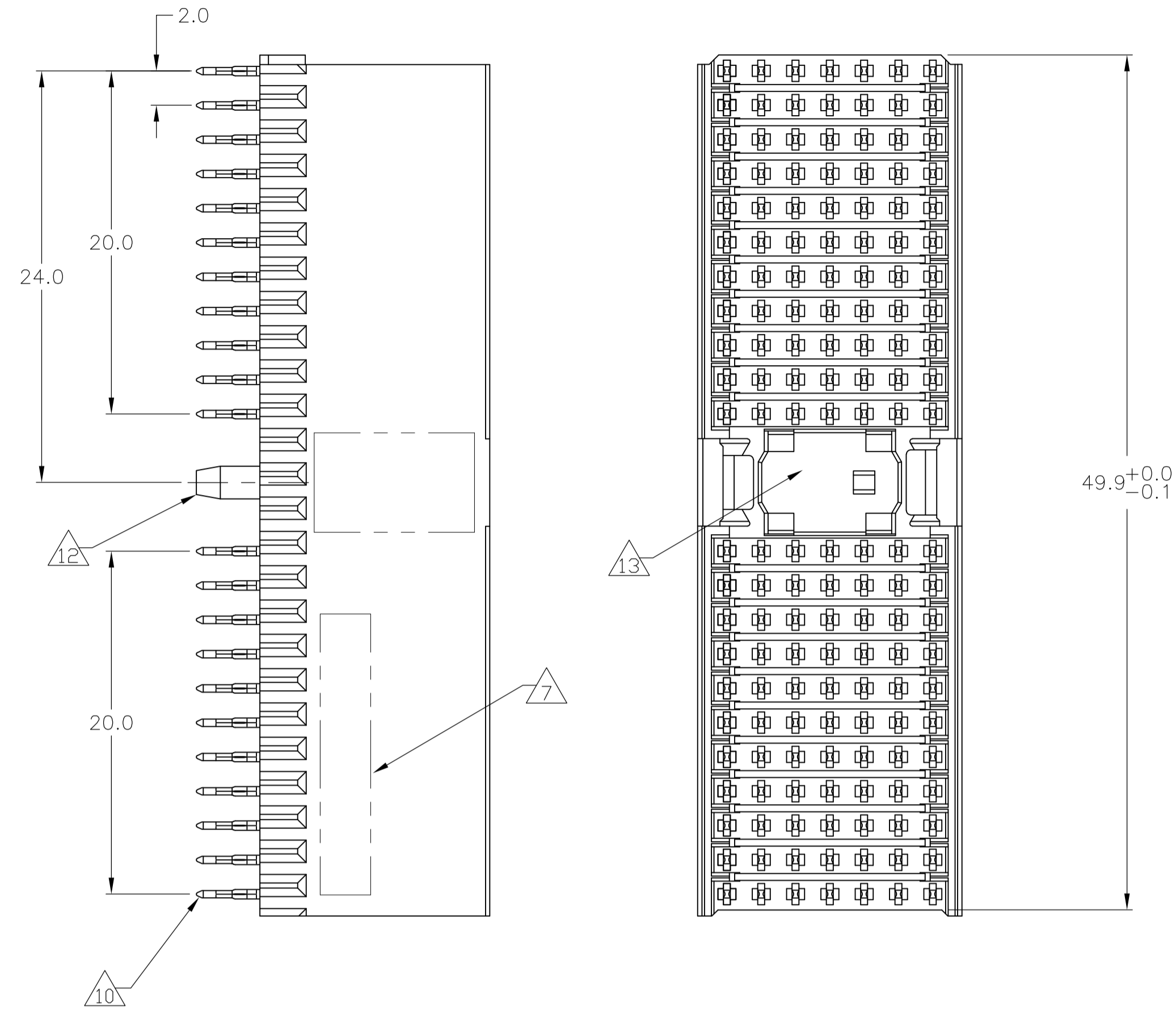
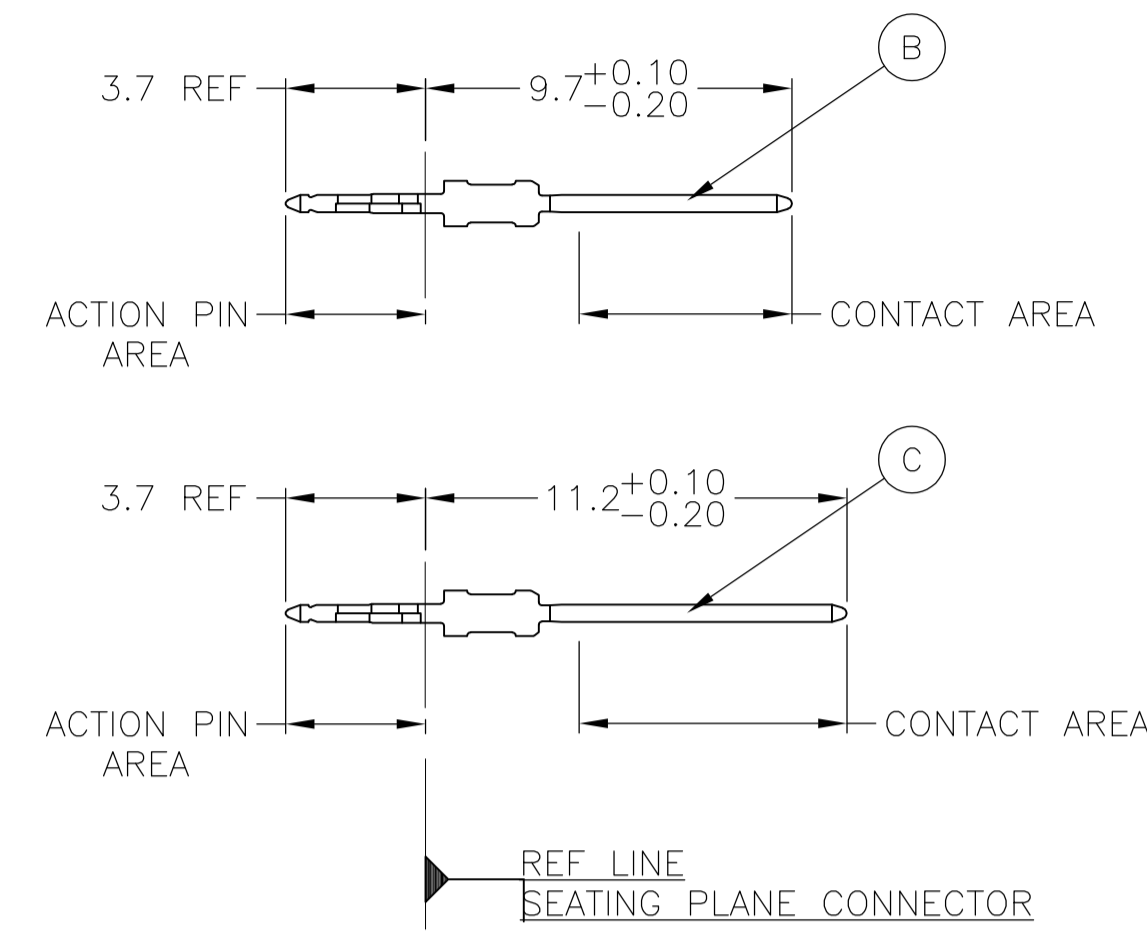


LOC		DIST		REVISIONS			
AD	00	P	LTR	DESCRIPTION	DATE	DMN	APVD
		B		REVISED PER EC OS12-0306-05	24MAY06	BC	GS
		B1		REVISED PER ECO-10-000444	16JAN10	KK	AEQ
		C		ECR-10-019054	15SEP10	DP	MQW

CONNECTOR ASSEMBLY EXAMPLARY LOADED $\triangle 9$



CONTACT DIMENSIONS SCALE 5:1

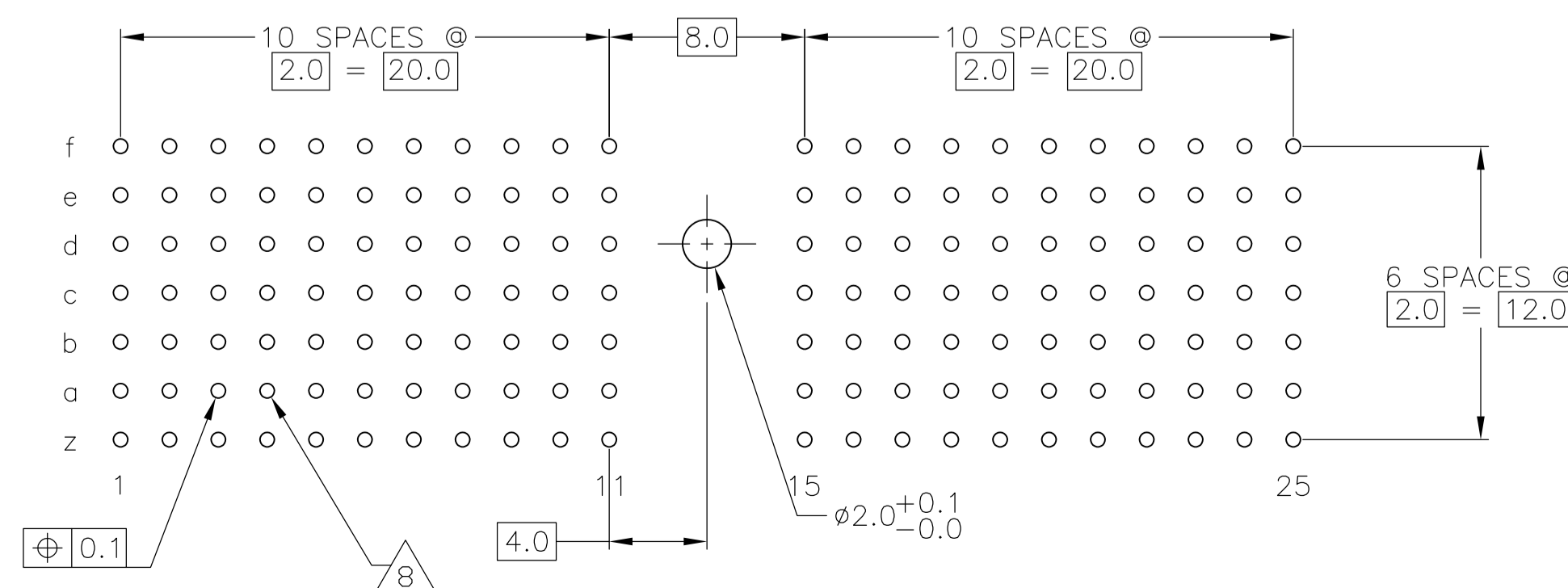


CONTACT LAYOUT

	z	a	b	c	d	e	f
1	C	B	B	B	B	B	C
2	C	B	B	B	B	B	C
3	C	B	B	B	B	B	C
4	C	B	B	B	B	B	C
5	C	B	B	B	B	B	C
6	C	B	B	B	B	B	C
7	C	B	B	B	B	B	C
8	C	B	B	B	B	B	C
9	C	B	B	B	B	B	C
10	C	B	B	B	B	B	C
11	C	B	B	B	B	B	C
MULTI PURPOSE CENTER							
15	C	B	B	B	B	B	C
16	C	B	B	B	B	B	C
17	C	B	B	B	B	B	C
18	C	B	B	B	B	B	C
19	C	B	B	B	B	B	C
20	C	B	B	B	B	B	C
21	C	B	B	B	B	B	C
22	C	B	B	B	B	B	C
23	C	B	B	B	B	B	C
24	C	B	B	B	B	B	C
25	C	B	B	B	B	B	C

RECOMMENDED PCB-HOLE LAYOUT COMPONENT SIDE SHOWN

PLATED THRU HOLES PARAMETERS REFERENCE APPLICATION SPECIFICATION



$\triangle 15$ OBSOLETE	$\triangle 2$ $\triangle 6$ $\triangle 14$	-1-5188399-9-
	$\triangle 2$ $\triangle 5$ $\triangle 14$	5188399-9
	$\triangle 2$ $\triangle 4$	5188399-4
	$\triangle 2$ $\triangle 3$	5188399-1
FINISH		PART NUMBER

THIS DRAWING IS A CONTROLLED DOCUMENT.


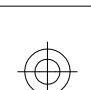
DIMENSIONS:	TOLERANCES UNLESS OTHERWISE SPECIFIED:	DIN B CARBO 06JAN05	Tyco Electronics Corporation Harrisburg, PA, 17105-3608
MM	0-PLC ± 1-PLC ±0.2 2-PLC ± 3-PLC ± ANGLES ±	CHK G SKIPPER 06JAN05	APVD G SKIPPER 06JAN05
MATERIAL	FINISH SEE TABLE	NAME	MALE ASSEMBLY, Z-PACK 2mm HM, TYPE A
		SIZE	CAGE CODE DRAWING NO
		WEIGHT	108-19082
			114-19029
		CUSTOMER DRAWING	A1 00779 ©=5188399

SCALE 4:1 SHEET 1 OF 2 REV C

THIS DRAWING IS UNPUBLISHED. RELEASED FOR PUBLICATION
 © COPYRIGHT BY TYCO ELECTRONICS CORPORATION. ALL RIGHTS RESERVED.

LOC		DIST		REVISIONS			
IF	LTR	DESCRIPTION	DATE	DRN	APVO		
AD	00	SEE SHEET 1	-	-	-		

- 1 MATERIAL:
CONTACT: PHOSPHOR BRONZE.
HOUSING: GLASS-FILLED POLYESTER.
- 2 GENERAL PLATING SPECIFICATION: UNDERPLATING
(ENTIRE CONTACT): 1.27µm MIN NICKEL AND ACTION
PIN: 0.5µm MIN TIN.
FOR PLATING OF MATING SURFACES SEE APPLICABLE
SPECIFICATION REFERENCE FOR EACH DASH NUMBER.
- 3 CONFORMS TO ALL TESTING ACCORDING TO IEC 61076-4-101
PERFORMANCE LEVEL 2.
- 4 CONFORMS TO ALL TESTING ACCORDING TO IEC 61076-4-101
PERFORMANCE LEVEL 1.
- 5 CONNECTOR TESTED AND QUALIFIED AGAINST TELCORDIA GR-1217-CORE QUALITY LEVEL 3,
CENTRAL OFFICE APPLICATIONS.
- 6 CONNECTOR TESTED AND QUALIFIED AGAINST TELCORDIA GR-1217-CORE QUALITY LEVEL 3,
UNCONTROLLED ENVIROMENT APPLICATIONS.
- 7 CONNECTOR MARKED WITH PART NUMBER AND DATE CODE.
ADDITIONAL CHARACTERS OR MARKINGS, AS WELL AS THE LOCATION OF THE MARKINGS,
MAY BE ADDED FOR TRACEABILITY BASED UPON MANUFACTURERS DISCRETION.
- 8 PLATED-THROUGH HOLES AT 2x2mm SQUARE GRID
PATTERN DEFINED BY CONTACT LAYOUT.
- 9 FOR ACTUAL PIN LOADING SEE "CONTACT LAYOUT".
- 10 FOR ACTUAL PIN DIMENSIONS SEE "CONTACT DIMENSIONS".
- 11 TO BE MEASURED AT BOTTOM OF SHROUD.
- 12 POLARIZATION FEATURE.
- 13 AREA RESERVED FOR KEYING PART (BASIC P/N 100525)
- 14 CONNECTOR LUBRICATED WITH BELCORE APPROVED LUBRICANT,
TECHNICAL REFERENCE: TR-NWT-001217 ISSUE 1, SEP 1992.
- 15 OBSOLETE PARTS: OBSOLETE CIS STREAMLINING PER D.RENAUD/D.SINISI

THIS DRAWING IS A CONTROLLED DOCUMENT.		DRN B. CARBO	06JAN05	 Tyco Electronics Corporation Harrisburg, PA, 17105-3608
DIMENSIONS: MM		CHK G. SKIPPER	06JAN05	
	TOLERANCES UNLESS OTHERWISE SPECIFIED:	APRD G. SKIPPER	06JAN05	NAME MALE ASSEMBLY, Z-PACK 2mm HM, TYPE A
	0-PLG ±	PRODUCT SPEC		108-19082
	1-PLG ±0.1	APPLICATION SPEC		114-19029
MATERIAL SEE SHEET 1	FINISH SEE SHEET 1	WEIGHT -		SIZE A1
CUSTOMER DRAWING		SCALE 4:1		SHEET 2 OF 2