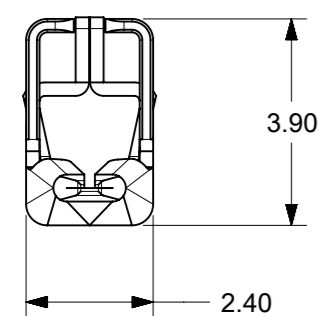
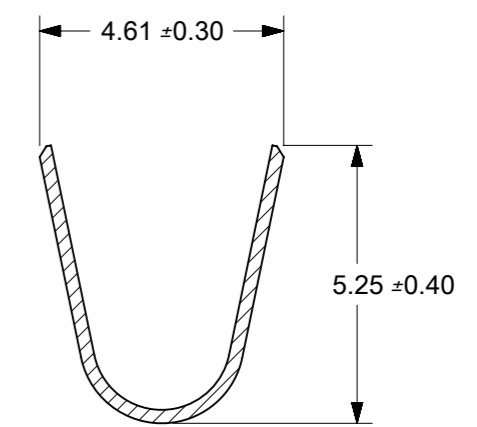
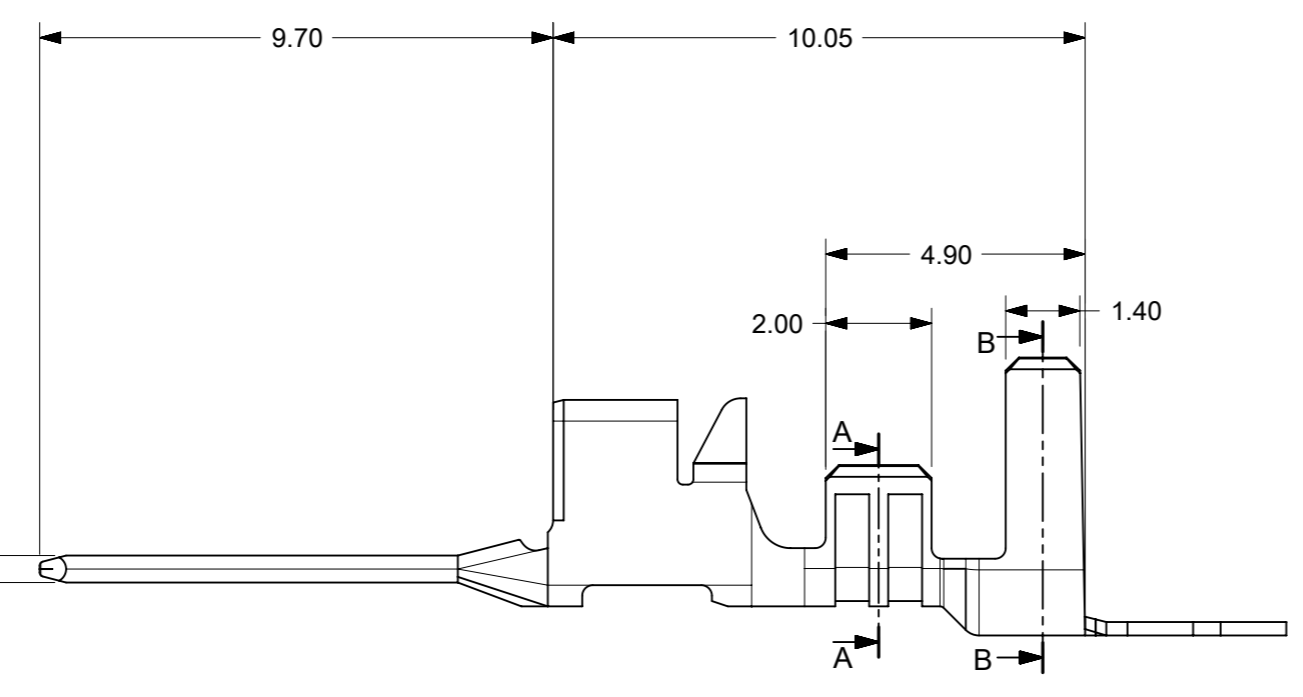
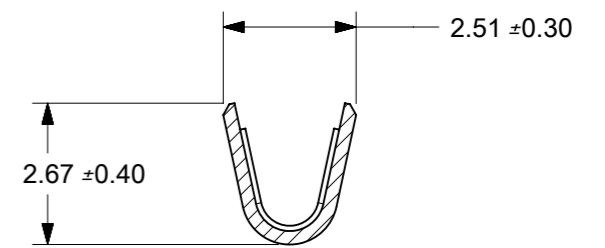
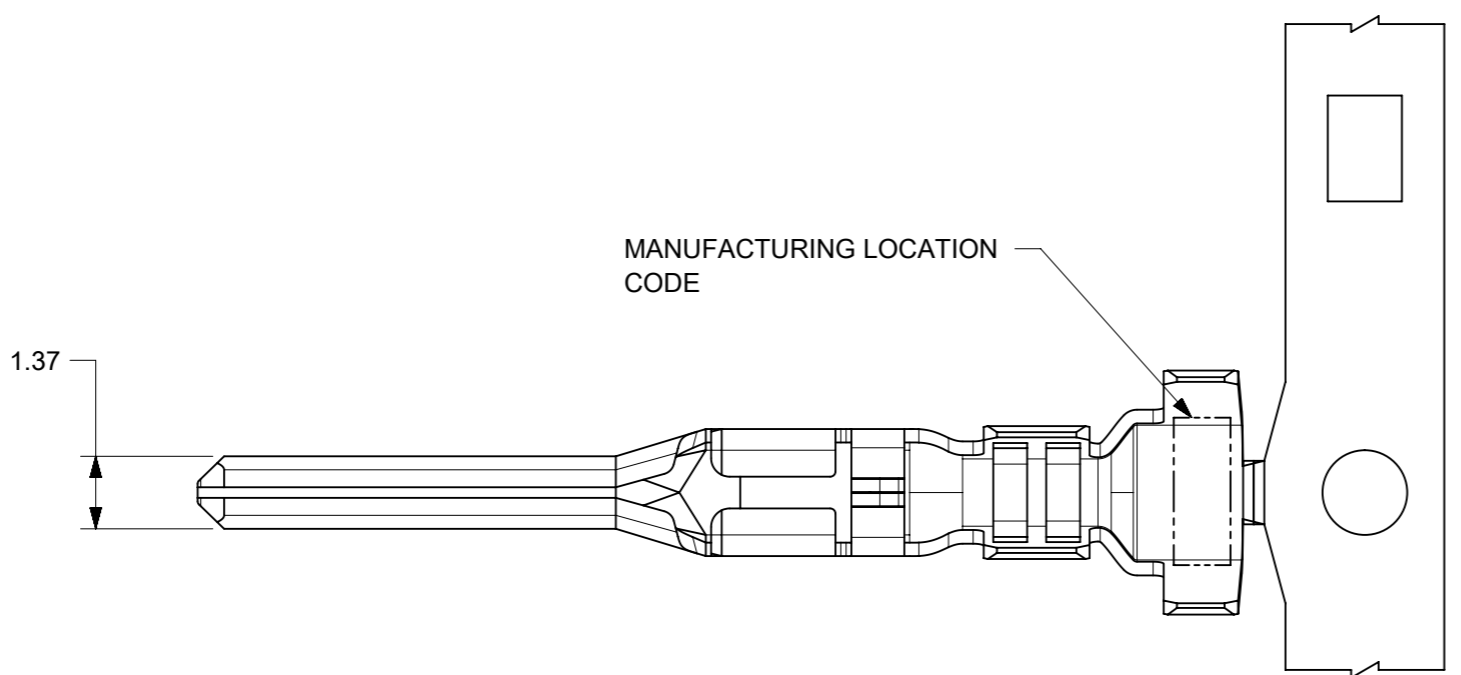


10 9 8 7 6 5 4 3 2 1

F
E
D
C
B
A



FORM	PART NO.
CHAIN	2050338000

- NOTES:
1. APPLICABLE HOUSING: 203438 SERIES
 2. MATERIAL: COPPER ALLOY
THICKNESS: 0.25MM
PLATING: TIN PLATING
 3. INSULATOR RANGE: $\varnothing 2.0 \sim \varnothing 3.3$
(WHEN RETAINER IS USED, $\varnothing 2.5 \text{ MAX.}$)
 4. WIRE RANGE: AWG 16 ~ AWG 20

SYMBOLS	THIS DRAWING CONTAINS INFORMATION THAT IS PROPRIETARY TO MOLEX ELECTRONIC TECHNOLOGIES, LLC AND SHOULD NOT BE USED WITHOUT WRITTEN PERMISSION		<div style="text-align: center;"> <p>CP6.5 WTW CRIMP TERMINAL FOR AWG 16 ~ 20</p> </div>		
	DIMENSION UNITS	SCALE			
$\nabla = 0$	mm	7:1	EC NO: 615738		
$\nabla = 0$	GENERAL TOLERANCES (UNLESS SPECIFIED)		DRWN: SMAHAJANSHET 2019/04/25		
$\nabla = 0$	ANGULAR TOL $\pm 3.0^\circ$		CHK'D: NCSR 2019/04/26		
$\nabla = 0$	4 PLACES	\pm	APPR: NCSR 2019/04/26		
$\nabla = 0$	3 PLACES	\pm	INITIAL REVISION:		
$\nabla = 0$	2 PLACES	± 0.25	DRWN: SMAHAJANSHET 2019/01/30		
$\nabla = 0$	1 PLACE	\pm	APPR: NCSR 2019/02/20		
$\nabla = 0$	0 PLACES	\pm	DOCUMENT NUMBER		
$\square = 0$	DRAFT WHERE APPLICABLE MUST REMAIN WITHIN DIMENSIONS		2050338000-SD		
$\nabla = 0$	THIRD ANGLE PROJECTION	DRAWING	SERIES	MATERIAL NUMBER	CUSTOMER
		A3-SIZE	205033	SEE TABLE	GENERAL MARKET
					DOC TYPE DOC PART REVISION
					PSD 000 B
					SHEET NUMBER
					1 OF 1

DOCUMENT STATUS	P1	RELEASE DATE	2019/04/26	22:05:53
-----------------	----	--------------	------------	----------

10 9 8 7 6 5 4 3 2 1