

# SAC-4P-20,0-PUR/M 8FR - Sensor/actuator cable



1405487

<https://www.phoenixcontact.com/us/products/1405487>

Please be informed that the data shown in this PDF document is generated from our online catalog. Please find the complete data in the user documentation. Our general terms of use for downloads are valid.



Sensor/actuator cable, 4-position halogen-free, free cable end, on Socket angled M8, coding: A, cable length: 20 m

## Commercial data

|                                      |                                |
|--------------------------------------|--------------------------------|
| Item number                          | 1405487                        |
| Packing unit                         | 1 pc                           |
| Minimum order quantity               | 1 pc                           |
| Note                                 | Made to order (non-returnable) |
| Sales key                            | BF01                           |
| Product key                          | BF1BCA                         |
| GTIN                                 | 4046356746854                  |
| Weight per piece (including packing) | 432.66 g                       |
| Weight per piece (excluding packing) | 432.66 g                       |
| Customs tariff number                | 85444290                       |
| Country of origin                    | DE                             |

1405487

<https://www.phoenixcontact.com/us/products/1405487>

## Technical data

### Product properties

|                      |                       |
|----------------------|-----------------------|
| Product type         | Sensor/actuator cable |
| Number of positions  | 4                     |
| No. of cable outlets | 1                     |
| Shielded             | no                    |
| Coding               | A                     |

### Insulation characteristics

|                      |    |
|----------------------|----|
| Overvoltage category | II |
| Degree of pollution  | 3  |

### Material specifications

|  |   |
|--|---|
| Flammability rating according to UL 94 | HB  |
| Seal material                          | NBR   |
| Material of grip body                  | TPU, hardly inflammable, self-extinguishing |
| Contact material                       | CuSn  |
| Contact surface material               | Ni/Au                                       |
| Contact carrier material               | TPU GF                                      |
| Material for screw connection          | Zinc die-cast, nickel-plated                |

### Electrical properties

|                       |                            |
|-----------------------|----------------------------|
| Contact resistance    | $\leq 5 \text{ m}\Omega$   |
| Insulation resistance | $\geq 100 \text{ M}\Omega$ |
| Nominal voltage $U_N$ | 48 V AC                    |
|                       | 60 V DC                    |
| Nominal current $I_N$ | 4 A                        |

### Signaling

|                        |    |
|------------------------|----|
| Status display         | No |
| Status display present | No |

### Connector

#### Connection 1

|      |                |
|------|----------------|
| Type | free cable end |
|------|----------------|

#### Connection 2

|                     |                  |
|---------------------|------------------|
| Type                | Socket angled M8 |
| Number of positions | 4                |
| Coding type         | A                |
| Number of positions | 4                |

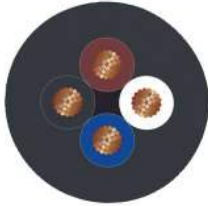
### Cable/line

# SAC-4P-20,0-PUR/M 8FR - Sensor/actuator cable



1405487

<https://www.phoenixcontact.com/us/products/1405487>

|   |  |
|---|--|
| Cable length                                  | 20 m   |
| PUR halogen-free black [PUR]                  |  |
| Dimensional drawing                           |    |
| Cable weight                                  | 23 kg/km   |
| UL AWM Style                                  | 20549 / 10493 (80°C/300 V)   |
| Number of positions                           | 4  |
| Shielded                                      | no   |
| Cable type                                    | PUR halogen-free black [PUR]   |
| Conductor structure signal line               | 32x 0.10 mm  |
| AWG signal line                               | 24   |
| Conductor cross section                       | 4x 0.25 mm <sup>2</sup> (Signal line)  |
| Wire diameter incl. insulation                | 1.17 mm ±0.02 mm (Signal line)   |
| External cable diameter                       | 3.95 mm ±0.15 mm   |
| Outer sheath, material                        | PUR  |
| External sheath, color                        | black-gray RAL 7021  |
| Conductor material                            | Bare Cu litz wires   |
| Material wire insulation                      | PP   |
| Single wire, color                            | brown, white, blue, black  |
| Thickness, insulation                         | ≥ 0.21 mm (Core insulation)<br>approx. 0.5 mm (Outer cable sheath)   |
| Overall twist                                 | 4 wires, twisted   |
| Max. conductor resistance                     | max. 78 Ω/km (at 20 °C)  |
| Insulation resistance                         | ≥ 100 GΩ*km (at 20 °C)   |
| Nominal voltage, cable                        | ≤ 300 V  |
| Test voltage                                  | ≥ 3000 V   |
| Smallest bending radius, fixed installation   | 20 mm  |
| Smallest bending radius, movable installation | 40 mm  |
| Max. bending cycles                           | 10000000   |
| Halogen-free                                  | in accordance with DIN VDE 0472 part 815   |
| Flame resistance                              | in accordance with UL 758/1581 FT2<br>DIN EN 60332-2-2 (20 s)  |
| Resistance to oil                             | in accordance with DIN EN 60811-2-1  |
| Other resistance                              | Highly resistant to acids, alkaline solutions and solvents<br>hydrolysis and microbe resistant<br>partly UV-resistant in accordance with DIN EN ISO 4892-2-A<br>Flexible cable conduit capable |

# SAC-4P-20,0-PUR/M 8FR - Sensor/actuator cable



1405487

<https://www.phoenixcontact.com/us/products/1405487>

|                                 |   |
|---------------------------------|---|
| Special properties              | Silicone-free   |
|                                 | Free of substances which would hinder coating with paint or varnish |
| Ambient temperature (operation) | -40 °C ... 80 °C (cable, fixed installation)                        |
|                                 | -25 °C ... 80 °C (Cable, flexible installation)                     |

## Environmental and real-life conditions

### Ambient conditions

|                                 |  |
|---------------------------------|--|
| Degree of protection            | IP65   |
|                                 | IP67   |
| Ambient temperature (operation) | -25 °C ... 90 °C (Plug / socket)               |
|                                 | -40 °C ... 80 °C (cable, fixed installation)   |
|                                 | -5 °C ... 80 °C (Cable, flexible installation) |

## Standards and regulations

|                          |                 |
|--------------------------|-----------------|
| Standard designation     | M8 connector    |
| Standards/specifications | IEC 61076-2-104 |

# SAC-4P-20,0-PUR/M 8FR - Sensor/actuator cable

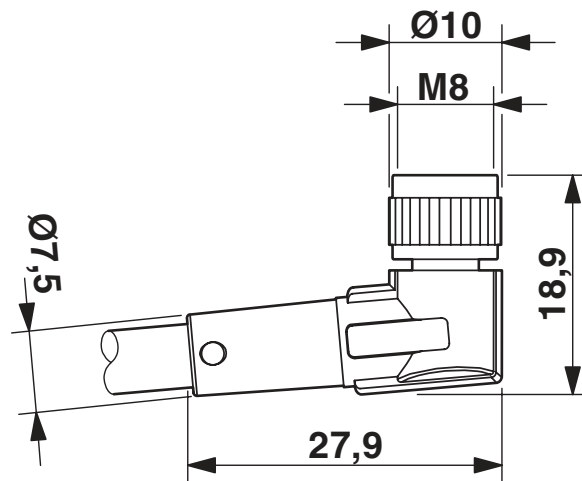
1405487

<https://www.phoenixcontact.com/us/products/1405487>



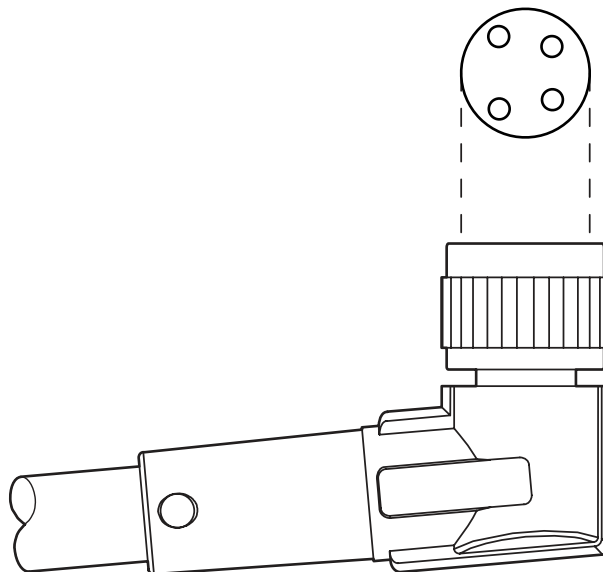
## Drawings

Dimensional drawing



Socket M8 x 1, angled

Schematic diagram



Layout of connector pin assignments

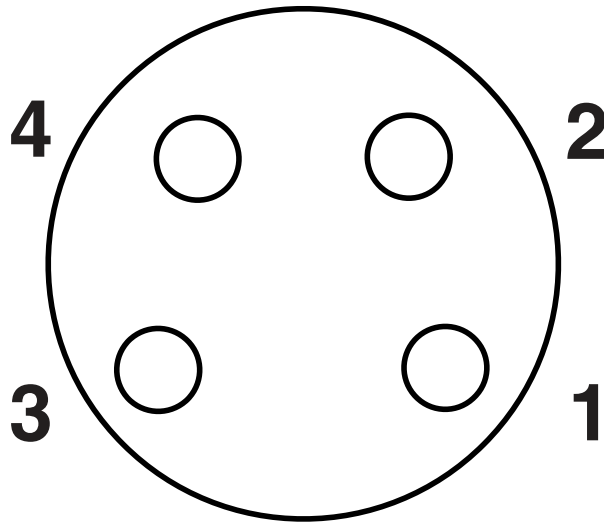
# SAC-4P-20,0-PUR/M 8FR - Sensor/actuator cable



1405487

<https://www.phoenixcontact.com/us/products/1405487>

Schematic diagram



Pin assignment M8 socket, 4-pos., view female side

Circuit diagram



# SAC-4P-20,0-PUR/M 8FR - Sensor/actuator cable





1405487

<https://www.phoenixcontact.com/us/products/1405487>

## Approvals

To download certificates, visit the product detail page: <https://www.phoenixcontact.com/us/products/1405487>

|  <b>UL Listed</b><br>Approval ID: FILE E 221474 |                       |                       |                   |                             |
|--|-----------------------|-----------------------|-------------------|-----------------------------|
|  | Nominal voltage $U_N$ | Nominal current $I_N$ | Cross section AWG | Cross section $\text{mm}^2$ |
|  | 30 V                  | 4 A                   | -                 | -                           |

|  <b>cUL Listed</b><br>Approval ID: FILE E 221474 |                       |                       |                   |                             |
|---|-----------------------|-----------------------|-------------------|-----------------------------|
|   | Nominal voltage $U_N$ | Nominal current $I_N$ | Cross section AWG | Cross section $\text{mm}^2$ |
|   | 30 V                  | 4 A                   | -                 | -                           |

| <b>cULus Listed</b> |  |  |  |  |
|---------------------|--|--|--|--|
|---------------------|--|--|--|--|

# SAC-4P-20,0-PUR/M 8FR - Sensor/actuator cable



1405487

<https://www.phoenixcontact.com/us/products/1405487>

## Classifications

### ECLASS

|             |          |
|-------------|----------|
| ECLASS-11.0 | 27060311 |
| ECLASS-12.0 | 27060311 |
| ECLASS-13.0 | 27060311 |

### ETIM

|          |          |
|----------|----------|
| ETIM 8.0 | EC001855 |
|----------|----------|

### UNSPSC

|             |          |
|-------------|----------|
| UNSPSC 21.0 | 26121600 |
|-------------|----------|



# SAC-4P-20,0-PUR/M 8FR - Sensor/actuator cable



1405487

<https://www.phoenixcontact.com/us/products/1405487>

## Environmental product compliance

|            |   |
|------------|---|
| China RoHS | Environmentally friendly use period: unlimited = EFUP-e |
|            | No hazardous substances above threshold values          |

# SAC-4P-20,0-PUR/M 8FR - Sensor/actuator cable



1405487

<https://www.phoenixcontact.com/us/products/1405487>

## Accessories

### PABA WH/23 - Insert label

1013779

<https://www.phoenixcontact.com/us/products/1013779>



Insert label, Strip, white, unlabeled, can be labeled with: CMS-P1-PLOTTER, mounting type: slide-on, cable diameter range: 1.5 ... 35 mm, lettering field size: 23 x 4 mm, Number of individual labels: 20

---

### PABA YE/23 - Insert label

1013782

<https://www.phoenixcontact.com/us/products/1013782>



Insert label, Strip, yellow, unlabeled, can be labeled with: CMS-P1-PLOTTER, mounting type: slide-on, cable diameter range: 1.5 ... 35 mm, lettering field size: 23 x 4 mm, Number of individual labels: 20

# SAC-4P-20,0-PUR/M 8FR - Sensor/actuator cable



1405487

<https://www.phoenixcontact.com/us/products/1405487>

## B-STIFT - Marker pen

1051993

<https://www.phoenixcontact.com/us/products/1051993>



Marker pen, for manual labeling of unprinted Zack strips, smear-proof and waterproof, line thickness 0.5 mm

---

## CUTFOX-S VDE - Diagonal cutter

1212207

<https://www.phoenixcontact.com/us/products/1212207>



Diagonal cutter for hard (piano wire) and soft wires, VDE 1000 V AC/1500 V DC tested

# SAC-4P-20,0-PUR/M 8FR - Sensor/actuator cable

1405487

<https://www.phoenixcontact.com/us/products/1405487>

## WIREFOX SAC-1 - Stripping tool

1212757

<https://www.phoenixcontact.com/us/products/1212757>



Stripping pliers, for halogen-free sensor/actuator cables (SAC cables), with PUR and PVC insulation, from Ø of 3.2 to 4.4 mm, any stripping length

---

## WIREFOX SAC - Stripping tool

1212623

<https://www.phoenixcontact.com/us/products/1212623>



Stripping pliers, for halogen-free sensor/actuator cables (SAC cables), with PUR and PVC insulation, from Ø of 4.4 to 7 mm, any stripping length

# SAC-4P-20,0-PUR/M 8FR - Sensor/actuator cable



1405487

<https://www.phoenixcontact.com/us/products/1405487>

## WIREFOX 10 - Stripping tool

1212150

<https://www.phoenixcontact.com/us/products/1212150>



Stripping tool, for cables and conductors from 0.02 - 10 mm<sup>2</sup>, self-adjusting, stripping length of up to 18 mm, cutting capacity of up to 10 mm<sup>2</sup> stranded/1.5 mm<sup>2</sup> solid, replaceable stripping blade

---

## WP-CTA POM 13,0 BK - Protective hose adapter

1422884

<https://www.phoenixcontact.com/us/products/1422884>



Protective hose adapter, for corrugated hoses with a nominal size of 13 (10 x 13), corrugated in parallel

# SAC-4P-20,0-PUR/M 8FR - Sensor/actuator cable



1405487

<https://www.phoenixcontact.com/us/products/1405487>

## WP-PA HF 13,0 BK - Protective hose

3240681

<https://www.phoenixcontact.com/us/products/3240681>



Protective hose, material: PA 6, UV-resistant: yes, flexible, degree of protection: IP68, color: black, flammability rating in acc. with UL 94: V0, inner diameter: 10 mm, Total length: 50 m

---

## WP-PA HF-HB 13,0 BK - Protective hose

3240839

<https://www.phoenixcontact.com/us/products/3240839>



Protective hose, material: PA 6, UV-resistant: yes, flexible, degree of protection: IP68, color: black, flammability rating in acc. with UL 94: HB, inner diameter: 10 mm, Total length: 50 m

## SAC-4P-20,0-PUR/M 8FR - Sensor/actuator cable

1405487

<https://www.phoenixcontact.com/us/products/1405487>



## PROT-M 8 MS-PA-CHAIN - Screw plug

1430860

<https://www.phoenixcontact.com/us/products/1430860>

M8 sealing cap made of plastic with fixing band for sensor cables, for M8 sockets



---

## TSD 02 SAC - Torque screwdriver

1208487

<https://www.phoenixcontact.com/us/products/1208487>

Torque screwdriver, with preset torque of 0.2 Nm and 4 mm hexagonal drive for M8 connectors



# SAC-4P-20,0-PUR/M 8FR - Sensor/actuator cable



1405487

<https://www.phoenixcontact.com/us/products/1405487>

## SAC BIT M8-D10 - Tool

1208461

<https://www.phoenixcontact.com/us/products/1208461>



Nut for assembling M8 connectors with longitudinal knurl and a knurl diameter of 10 mm, for 4 mm hexagonal drive

---

Phoenix Contact 2023 © - all rights reserved

<https://www.phoenixcontact.com>

Phoenix Contact USA  
586 Fulling Mill Road  
Middletown, PA 17057, United States  
(+717) 944-1300  
[info@phoenixcon.com](mailto:info@phoenixcon.com)