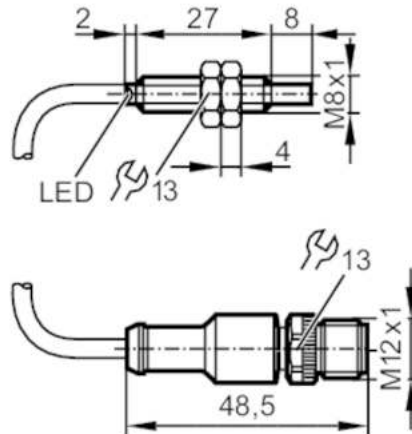


IE5352



Inductive sensor

IEBC005-ASKG/0,3M/US



Product characteristics

Electrical design		PNP/NPN
Output function		normally open
Sensing range	[mm]	5
Housing		threaded type
Dimensions	[mm]	M8 x 1 / L = 37

Electrical data

Operating voltage	[V]	10...30 DC
Current consumption	[mA]	< 10; (only in 3-wire operation)
Protection class		III
Reverse polarity protection		yes

Outputs

Electrical design		PNP/NPN
Output function		normally open
Max. voltage drop switching output DC	[V]	2.8
Minimum load current	[mA]	2; (only in 2-wire operation)
Max. leakage current	[mA]	0.5; (only in 2-wire operation)
Permanent current rating of switching output DC	[mA]	100
Switching frequency DC	[Hz]	700
Short-circuit protection		yes
Type of short-circuit protection		pulsed
Overload protection		yes

Detection zone

Sensing range	[mm]	5
Real sensing range Sr	[mm]	5 ± 10 %
Operating distance	[mm]	0...4.05

IE5352



Inductive sensor

IEBC005-ASKG/0,3M/US

Accuracy / deviations		
Correction factor	steel: 1 / stainless steel: 0.7 / brass: 0.5 / aluminium: 0.4 / copper: 0.3	
Hysteresis [% of Sr]	1...15	
Switch point drift [% of Sr]	-10...10	
Operating conditions		
Ambient temperature [°C]	0...60	
Protection	IP 67	
Tests / approvals		
EMC	EN 60947-5-2	
MTTF [years]	2988	
UL approval	Ta	-25...80 °C
	Enclosure type	Type 1
	power supply	Limited Voltage/Current
	File number UL	E174191
Mechanical data		
Weight [g]	30.5	
Housing	threaded type	
Mounting	non-flush mountable	
Dimensions [mm]	M8 x 1 / L = 37	
Thread designation	M8 x 1	
Materials	brass white bronze coated; sensing face: LCP	
Displays / operating elements		
Display	switching status	1 x LED, yellow
Accessories		
Items supplied	lock nuts: 2	
Remarks		
Pack quantity	1 pcs.	

IE5352



Inductive sensor

IEBC005-ASKG/0,3M/US

Electrical connection - plug

Cable: 0.3 m, PVC; 3 x 0.14 mm²

Connector: 1 x M12; coding: A; Locking: rotatable

