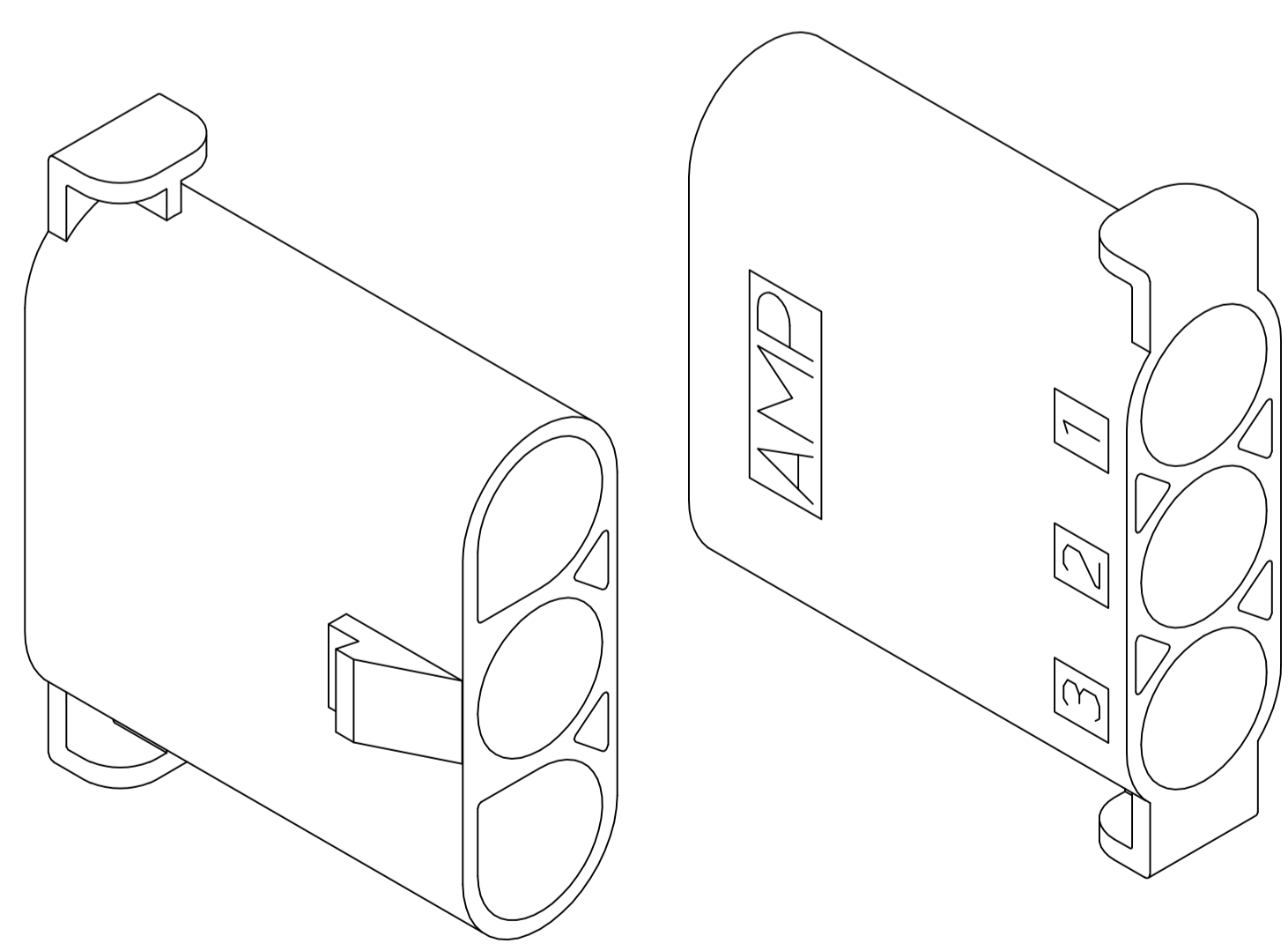
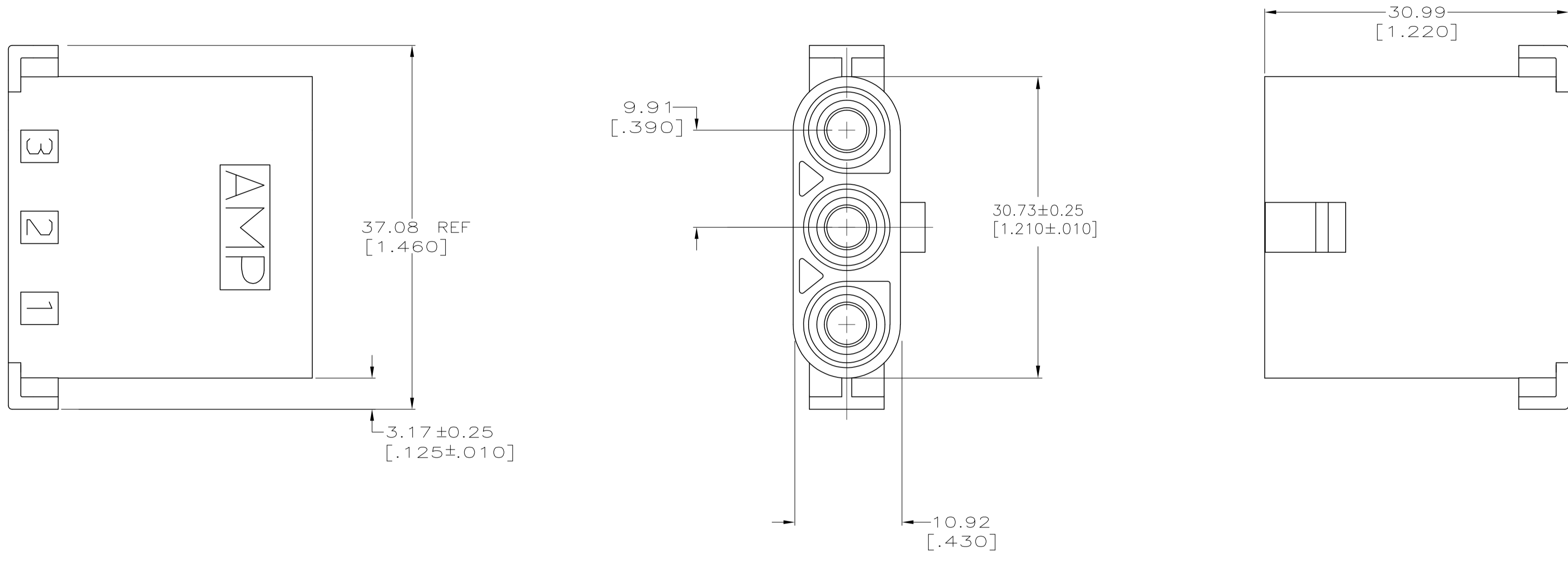
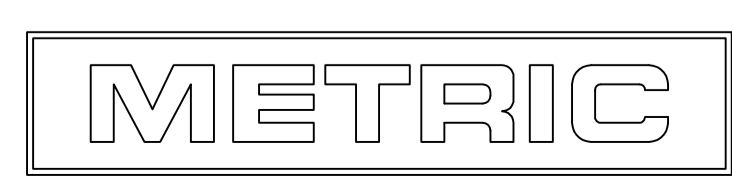
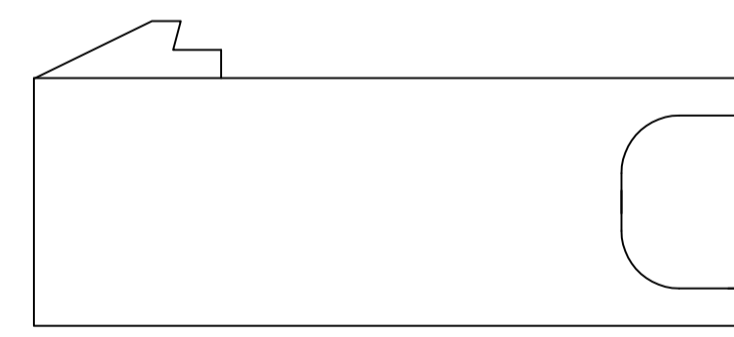


| | | | | | | | |
|-----|------|-----------|-----|---------------|---------|-----|------|
| LOC | DIST | REVISIONS | | | | | |
| CM | 53 | P | LTR | DESCRIPTION | DATE | DMN | APVD |
| | | A | | ECO-07-027216 | 16NOV07 | KW | CC |

1. TO BE USED WITH APPROPRIATE 3.96 [.156] MATE-N-LOK™ PINS.
2. DIMENSIONS IN BRACKETS ARE IN INCHES.



3-DIMENSIONAL MODEL
NTS



794413-1
PART NUMBER

| | | | | |
|--|--|------------------------------|---|--|
| THIS DRAWING IS A CONTROLLED DOCUMENT. | | DIN E. LEWIS 8-05-97 | Tyco Electronics Corporation Harrisburg, PA 17105-3608 | |
| DIMENSIONS: mm [INCHES] | | CHK R. SWING 8-05-97 | NAME CAP_3 CIRCUIT, .156 MATE-N-LOK(TM) | |
| TOLERANCES UNLESS OTHERWISE SPECIFIED: | | APVD C. MARTIN 8-05-97 | PRODUCT SPEC | |
| 0. PLC ± - | | APPLICATION SPEC | | |
| 1. PLC ± - | | SIZE | | |
| 2. PLC ± - | | CAGE CODE | | |
| 3. PLC ± 0.13 [.005] | | DRAWING NO | | |
| 4. PLC ± - | | RESTRICTED TO | | |
| ANGLES ± - | | WEIGHT | | |
| FINISH - | | A1 00779 C=794413 | | |
| MATERIAL NYLON | | CUSTOMER DRAWING | | |
| | | SCALE 3:1 SHEET 1 OF 1 REV A | | |