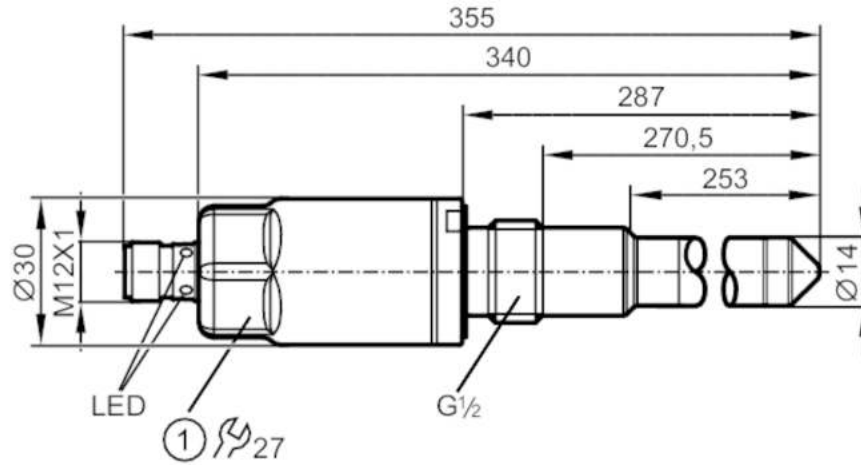


# LMT105



## Sensor for point level detection

LMECE-A12E-QSKG-2/US



1 Tightening torque 20...25 Nm



### Product characteristics

|                              |  |
|------------------------------|--|
| Number of inputs and outputs | Number of digital outputs: 2           |
| Factory setting              | hydrous media                          |
| Process connection           | threaded connection G 1/2 sealing cone |

### Application

|  |  |
|--|--|
| Special feature                                | Gold-plated contacts   |
| Media  | Liquids; viscous media; powder                                   |
| Recommended media                              | water; hydrous media; oils; oil-based media; powder              |
| Cannot be used for                             | See the operating instructions, chapter "Function and features". |
| Probe length [mm]                              | 253  |
| Tank pressure [bar]                            | -1...40  |
| MAWP (for applications according to CRN) [bar] | 40   |

|                                    |                  |
|------------------------------------|------------------|
| Oil                                |                  |
| Medium temperature [°C]            | -20...100        |
| Medium temperature short time [°C] | -20...150; (1 h) |
| Water                              |                  |
| Medium temperature [°C]            | -20...100        |
| Medium temperature short time [°C] | -20...150; (1 h) |

### Electrical data

|                             |            |
|-----------------------------|------------|
| Operating voltage [V]       | 18...30 DC |
| Current consumption [mA]    | < 50       |
| Protection class            | III        |
| Reverse polarity protection | yes        |
| Measuring principle         | capacitive |

# LMT105



## Sensor for point level detection

LMECE-A12E-QSKG-2/US

| Inputs / outputs                                     |  |                    |
|--|--|--------------------|
| Number of inputs and outputs                         | Number of digital outputs: 2                               |                    |
| Outputs  |  |                    |
| Total number of outputs                              | 2  |                    |
| Output signal  | switching signal; IO-Link                                  |                    |
| Electrical design                                    | PNP/NPN  |                    |
| Number of digital outputs                            | 2  |                    |
| Output function                                      | normally open / normally closed; (parameterisable)         |                    |
| Max. voltage drop switching output DC [V]            | 2.5  |                    |
| Permanent current rating of switching output DC [mA] | 100  |                    |
| Short-circuit protection                             | yes  |                    |
| Type of short-circuit protection                     | pulsed   |                    |
| Overload protection                                  | yes  |                    |
| Measuring/setting range                              |  |                    |
| Factory setting                                      | hydrous media  |                    |
| Response times                                       |  |                    |
| Response time [s]                                    | < 0.5  |                    |
| Interfaces   |  |                    |
| Communication interface                              | IO-Link  |                    |
| Transmission type                                    | COM2 (38,4 kBaud)  |                    |
| IO-Link revision                                     | 1.1  |                    |
| SDCI standard  | IEC 61131-9  |                    |
| Profiles   | Smart Sensor: Process Data Variable; Device Identification |                    |
| SIO mode   | yes  |                    |
| Required master port type                            | A  |                    |
| Process data analogue                                | 1  |                    |
| Process data binary                                  | 2  |                    |
| Min. process cycle time [ms]                         | 2.3  |                    |
| Supported DeviceIDs                                  | Type of operation  | DeviceID           |
|  | Default  | 370                |
| Operating conditions                                 |  |                    |
| Ambient temperature [°C]                             | -20...85   |                    |
| Note on ambient temperature                          | Medium temperature: < 100 °C                               |                    |
|  | -20...60 °C  |                    |
|  | Medium temperature: < 150 °C                               |                    |
| Storage temperature [°C]                             | -40...85   |                    |
| Protection   | IP 68; IP 69K  |                    |
| Tests / approvals                                    |  |                    |
| EMC  | DIN EN 61000-6-2   |                    |
|  | DIN EN 61000-6-4   | : closed tanks     |
| Shock resistance                                     | DIN EN 60068-2-27  | 50 g (11 ms)       |
| Vibration resistance                                 | DIN EN 60068-2-6   | 8 g (10...2000 Hz) |

# LMT105



## Sensor for point level detection

LMECE-A12E-QSKG-2/US

|             |                 |      |
|-------------|-----------------|------|
| MTTF        | [years]         | 223  |
| UL approval | UL Approval no. | H001 |

| Mechanical data          |   |
|--------------------------|---|
| Weight                   | [g] 354.8   |
| Materials                | stainless steel (1.4404 / 316L); stainless steel (1.4571/316Ti ); PEEK; PEI; FKM                                      |
| Materials (wetted parts) | stainless steel (1.4404 / 316L); stainless steel (1.4571/316Ti ); PEEK; surface characteristics: Ra < 0,8 / Rz 4; FKM |
| Process connection       | threaded connection G 1/2 sealing cone  |

| Displays / operating elements |                  |             |
|-------------------------------|------------------|-------------|
| Display                       | switching status | LED, yellow |
|                               | operating status | LED, green  |

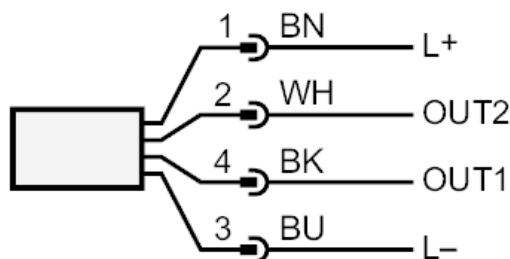
| Remarks       |        |
|---------------|--------|
| Pack quantity | 1 pcs. |

### Electrical connection

Connector: 1 x M12; coding: A; Contacts: gold-plated



### Connection



OUT1: switching output IO-Link Teach  
 OUT2: switching output  
 colours to DIN EN 60947-5-2  
 Core colours :  
 BK = black  
 BN = brown  
 BU = blue  
 WH = white