

**Description: 6-8.5GHz UWB Antenna****Series: Chip Antenna****PART NUMBER: W3340****Features:**

- 6-8.5GHz
- Stable radiation pattern over operating band enables superior performance in impulse radio
- Minimal hand loss
- Keep out area only 7x4.6mm
- Miniature Antenna size 3.2x1.6x1.1mm
- Moisture Sensitivity Level: MSL1

**Applications:**

- Ultra Wide Band radios
- Remote controls
- Key fobs
- M2M, IoT
- Transportation
- Security

All dimensions are in mm / inches

Issue: 2101

In the effort to improve our products, we reserve the right to make changes judged to be necessary.

CONFIDENTIAL AND PROPRIETARY INFORMATION

This document contains confidential and proprietary information of Pulse Electronics, Inc. (Pulse) and is protected by copyright, trade secret and other state and federal laws. Its receipt or possession does not convey any rights to reproduce, disclose its contents, or to manufacture, use or sell anything it may describe. Reproduction, disclosure or use without specific written authorization of Pulse is strictly forbidden.

For more information:

Pulse Worldwide Headquarters  
15255 Innovation Drive #100  
San Diego, CA 92128  
USA  
Tel: 1-858-674-8100

Pulse/Larsen Antennas  
18110 SE 34<sup>th</sup> St Bldg 2 Suite 250  
Vancouver, WA 9863  
USA  
Tel: 1-360-944-7551

Europe Headquarters  
Pulse GmbH & Do, KG  
Zeppelinstrasse 15  
Herrenberg, Germany  
Tel: 49 7032 7806 0

Pulse (Suzhou) Wireless Products Co, Inc.  
99 Huo Ju Road(#29 Bldg,4<sup>th</sup> Phase  
Suzhou New District  
Jiangsu Province, Suzhou 215009 PR China  
Tel: 86 512 6807 9998

**Description: 6-8.5GHz UWB Antenna****Series: Chip Antenna****PART NUMBER: W3340****ELECTRICAL SPECIFICATIONS**

Frequency	6-8.5 GHz
Nominal Impedance	50 $\Omega$
Return loss in free space (*)	9 dB
Total Efficiency in free space (*)	>65 %
Peak Gain in free space (*)	>1.5 dBi
Power withstanding (*)	W

\*Measured on test PCB

Issue: 2101

In the effort to improve our products, we reserve the right to make changes judged to be necessary.

CONFIDENTIAL AND PROPRIETARY INFORMATION

This document contains confidential and proprietary information of Pulse Electronics, Inc. (Pulse) and is protected by copyright, trade secret and other state and federal laws. Its receipt or possession does not convey any rights to reproduce, disclose its contents, or to manufacture, use or sell anything it may describe. Reproduction, disclosure or use without specific written authorization of Pulse is strictly forbidden.

**Description: 6-8.5GHz UWB Antenna****Series: Chip Antenna****PART NUMBER: W3340****MECHANICAL SPECIFICATIONS**

Material	High temperature ceramic
Radiator	Ag
Weight	33mg
Overall Length	3.2*1.6*1.1mm
MSL (Moisture Sensitivity Level)	1

**ENVIRONMENTAL SPECIFICATIONS**

Operating temperature -40/+85° C

**Storage**

To maintain solderability of Pulse ceramic products care must be taken to control the storage and use conditions:

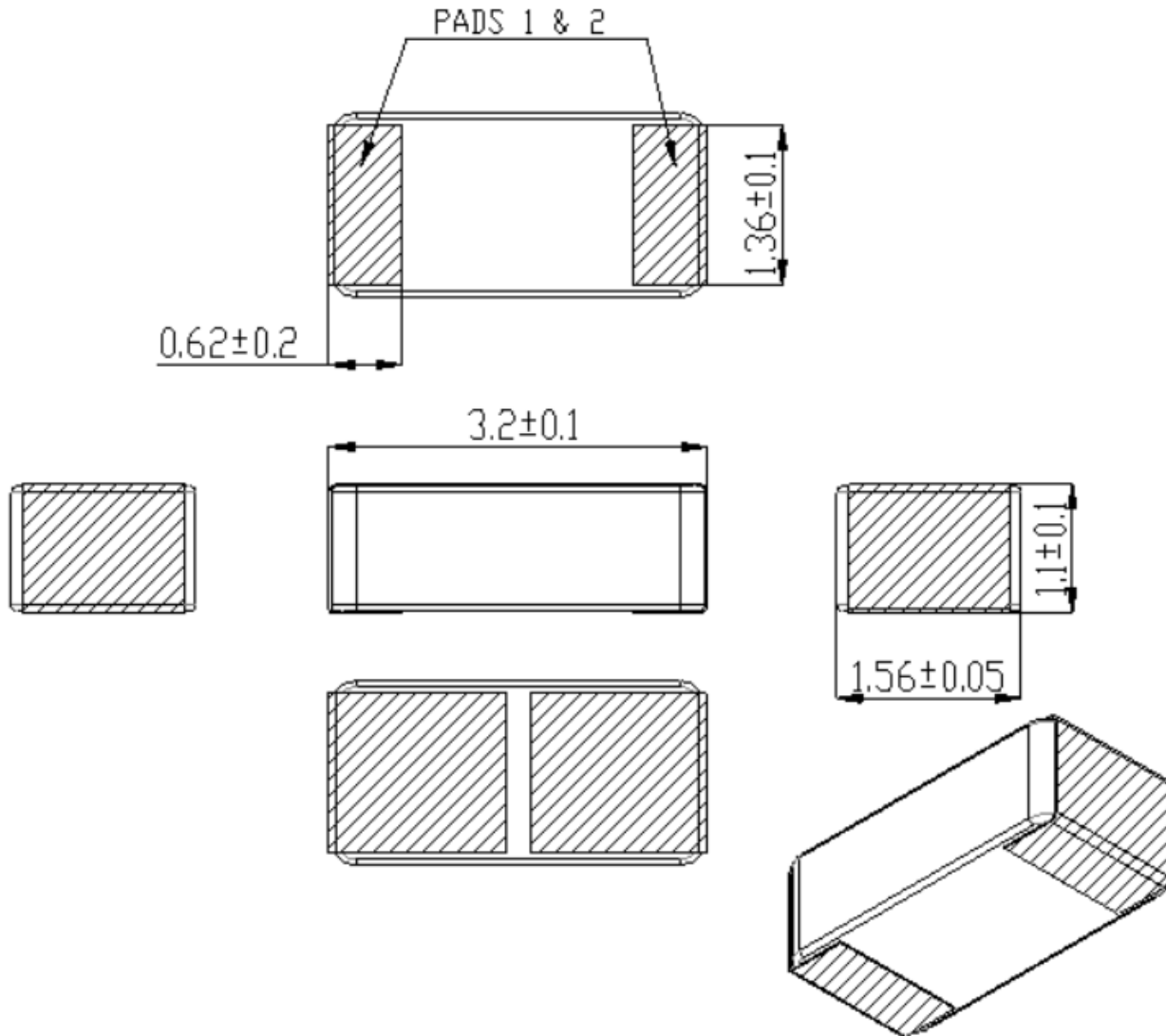
- Do not store or use products in a corrosive atmosphere, especially where chloride, sulphur or sulfide, alkali or acid salts exist in the air. Corrosive gases may cause oxidation of electrodes and reduce solderability
- Keep temperature and humidity stable and do not exceed the below mentioned minimum and maximum conditions: Temperature: -10 to +30 Deg C, Humidity: below 60% RH
- Do not store the products under direct sun light.

Description: 6-8.5GHz UWB Antenna

Series: Chip Antenna

PART NUMBER: W3340

## MECHANICAL DRAWING



## Note:

Antenna is symmetrical, pad 1 and 2 orientation can be swapped without affecting performance.

Issue: 2101

In the effort to improve our products, we reserve the right to make changes judged to be necessary.

CONFIDENTIAL AND PROPRIETARY INFORMATION

This document contains confidential and proprietary information of Pulse Electronics, Inc. (Pulse) and is protected by copyright, trade secret and other state and federal laws. Its receipt or possession does not convey any rights to reproduce, disclose its contents, or to manufacture, use or sell anything it may describe. Reproduction, disclosure or use without specific written authorization of Pulse is strictly forbidden.

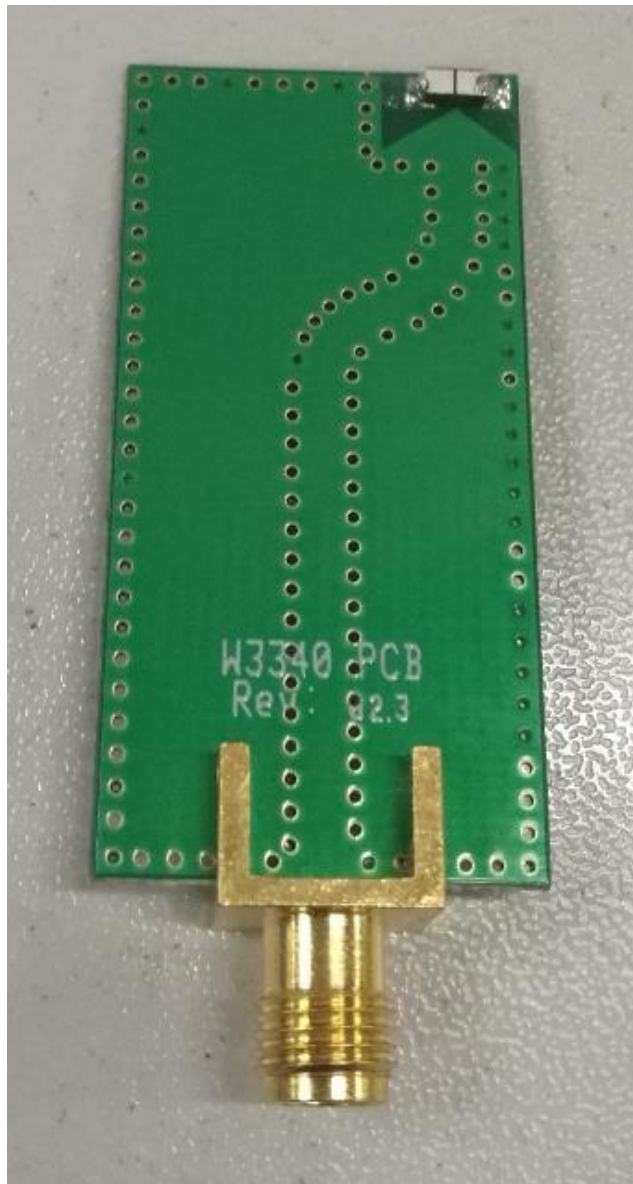
Description: 6-8.5GHz UWB Antenna

Series: Chip Antenna

PART NUMBER: W3340

OTHER SPECIFICATIONS

Test setup for electrical parameters



Issue: 2101

In the effort to improve our products, we reserve the right to make changes judged to be necessary.

CONFIDENTIAL AND PROPRIETARY INFORMATION

This document contains confidential and proprietary information of Pulse Electronics, Inc. (Pulse) and is protected by copyright, trade secret and other state and federal laws. Its receipt or possession does not convey any rights to reproduce, disclose its contents, or to manufacture, use or sell anything it may describe. Reproduction, disclosure or use without specific written authorization of Pulse is strictly forbidden.

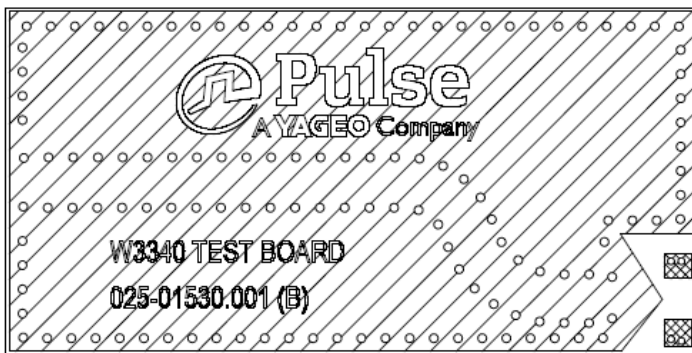
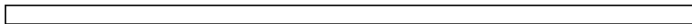
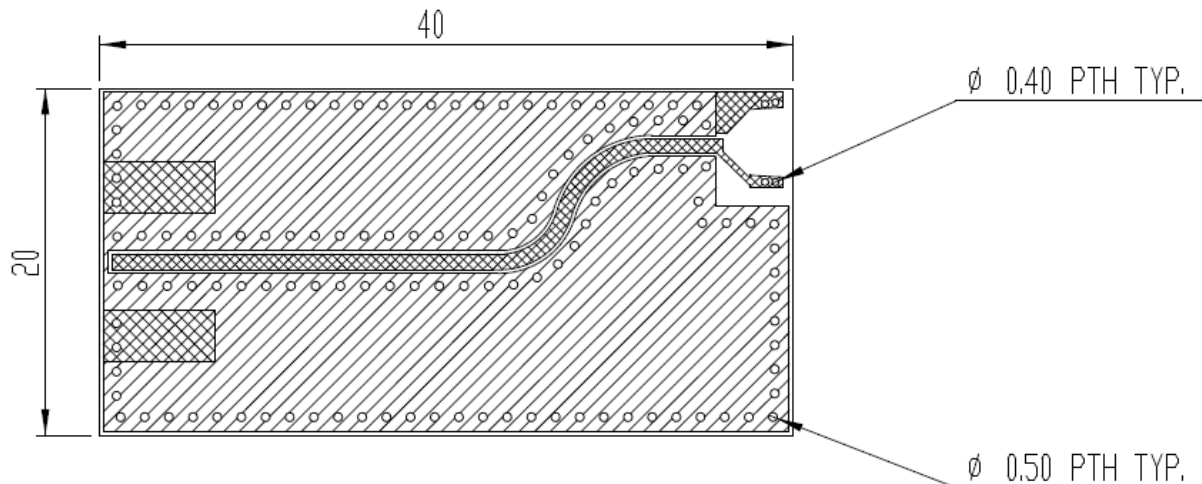
Description: 6-8.5GHz UWB Antenna

Series: Chip Antenna

PART NUMBER: W3340

## MECHANICAL DRAWING

Test PCB and Antenna footprint PCB layout



Issue: 2101

In the effort to improve our products, we reserve the right to make changes judged to be necessary.

CONFIDENTIAL AND PROPRIETARY INFORMATION

This document contains confidential and proprietary information of Pulse Electronics, Inc. (Pulse) and is protected by copyright, trade secret and other state and federal laws. Its receipt or possession does not convey any rights to reproduce, disclose its contents, or to manufacture, use or sell anything it may describe. Reproduction, disclosure or use without specific written authorization of Pulse is strictly forbidden.

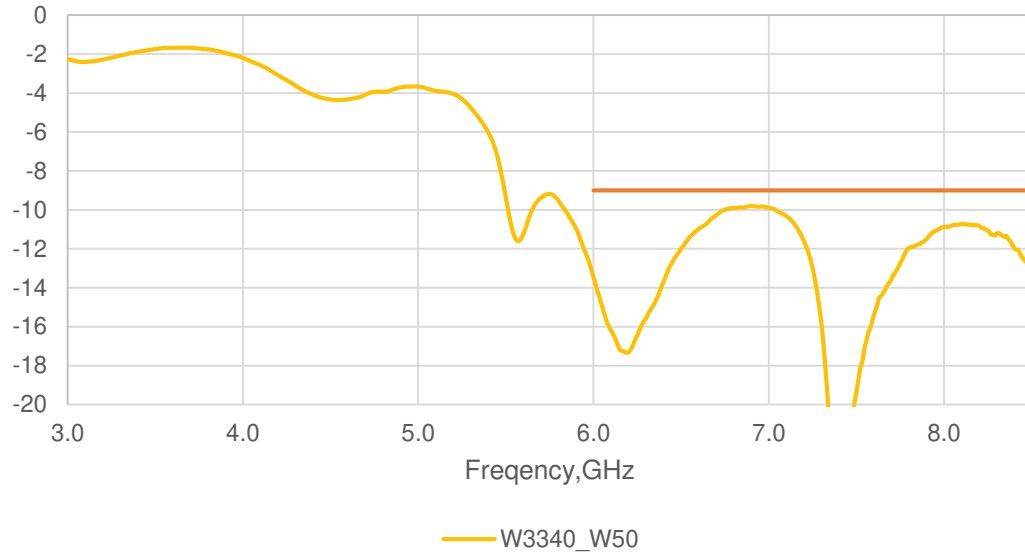
Description: 6-8.5GHz UWB Antenna

Series: Chip Antenna

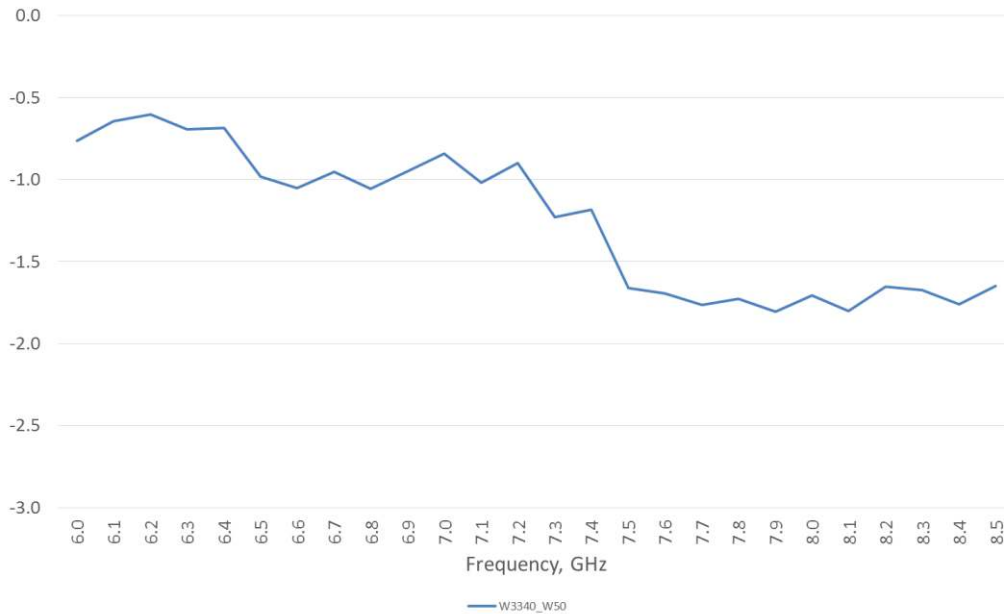
PART NUMBER: W3340

CHARTS

S11 in free space,dB



Total efficiency in free space, dB



Issue: 2101

In the effort to improve our products, we reserve the right to make changes judged to be necessary.

CONFIDENTIAL AND PROPRIETARY INFORMATION

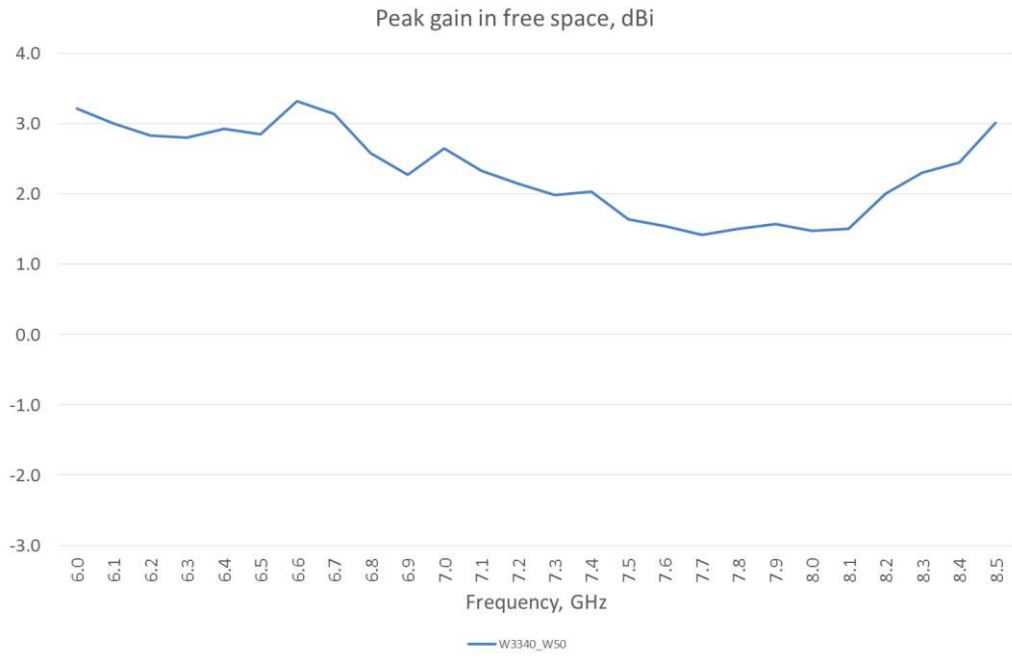
This document contains confidential and proprietary information of Pulse Electronics, Inc. (Pulse) and is protected by copyright, trade secret and other state and federal laws. Its receipt or possession does not convey any rights to reproduce, disclose its contents, or to manufacture, use or sell anything it may describe. Reproduction, disclosure or use without specific written authorization of Pulse is strictly forbidden.

## Description: 6-8.5GHz UWB Antenna

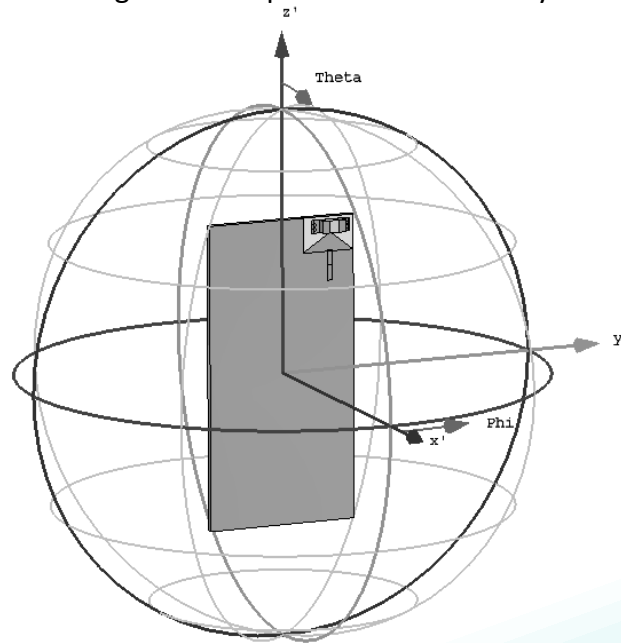
Series: Chip Antenna

**PART NUMBER: W3340**

### CHARTS



Antenna alignment in spherical coordinate system



Issue: 2101

In the effort to improve our products, we reserve the right to make changes judged to be necessary.

CONFIDENTIAL AND PROPRIETARY INFORMATION

This document contains confidential and proprietary information of Pulse Electronics, Inc. (Pulse) and is protected by copyright, trade secret and other state and federal laws. Its receipt or possession does not convey any rights to reproduce, disclose its contents, or to manufacture, use or sell anything it may describe. Reproduction, disclosure or use without specific written authorization of Pulse is strictly forbidden.



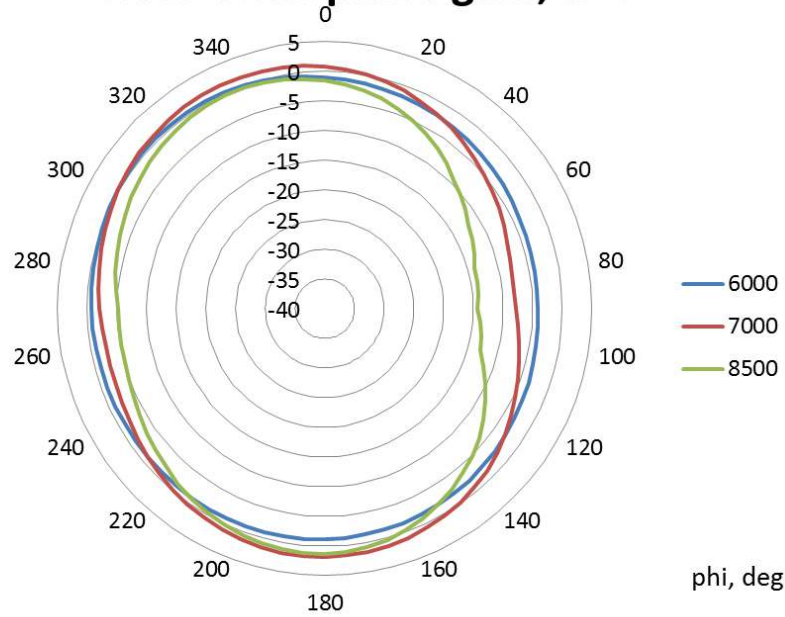
## Description: 6-8.5GHz UWB Antenna

Series: Chip Antenna

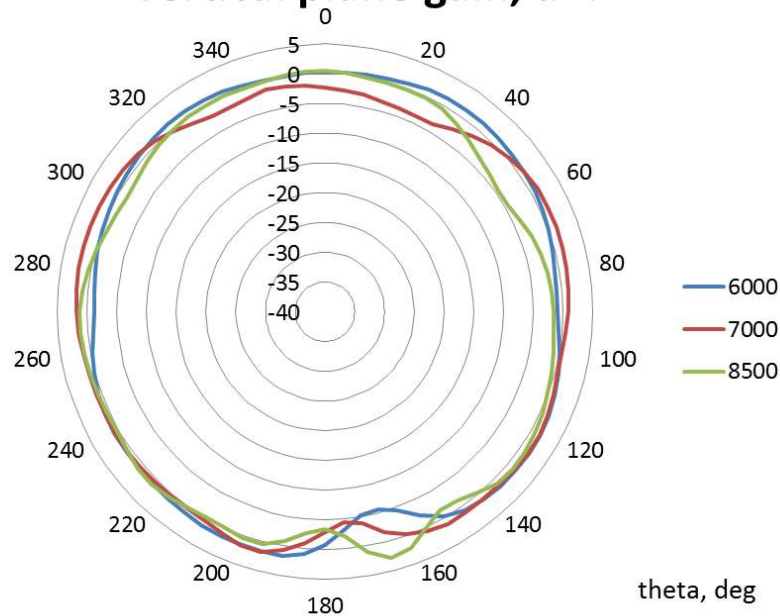
PART NUMBER: W3340

### CHARTS

#### Horizontal plane gain, dBi



#### Vertical plane gain, dBi



Issue: 2101

In the effort to improve our products, we reserve the right to make changes judged to be necessary.

CONFIDENTIAL AND PROPRIETARY INFORMATION

This document contains confidential and proprietary information of Pulse Electronics, Inc. (Pulse) and is protected by copyright, trade secret and other state and federal laws. Its receipt or possession does not convey any rights to reproduce, disclose its contents, or to manufacture, use or sell anything it may describe. Reproduction, disclosure or use without specific written authorization of Pulse is strictly forbidden.

## Description: 6-8.5GHz UWB Antenna

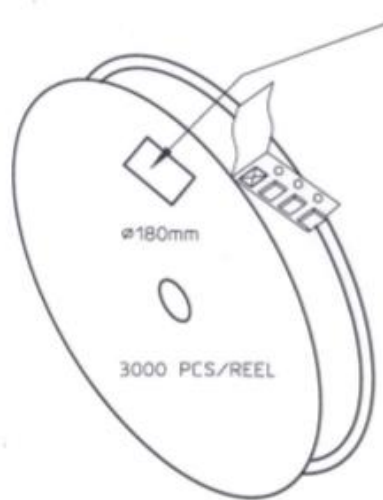
Series: Chip Antenna

**PART NUMBER: W3340**

### PACKAGING

Tape and reel packing is used.

3000pcs antenna/reel, 10 reels/inbox, 2 inbox(60000pcs antenna)/outbox.



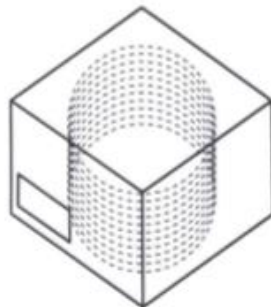
REEL LABEL INFORMATION:  
 - TRACEABILITY  
 - QUANTITY  
 - PRODUCT CODE

CARRIER TAPE H85-00125  
 width=8,00 depth=1,22  
 COVER TAPE H85-00126  
 width=5,60

LENGTH OF TAPE:

- Leader section: min 350 mm before component section
- Trailer section: min 40 mm after component section.

Empty part cavities at leader and trailer section of the tape must be sealed with top cover tape.



BOX H85-00128 (182x182x132)	1 pcs
- LABEL	1 pcs/BOX
REEL H85-00127 (D180, W12)	10 pcs
- REEL LABEL	1 pcs/REEL