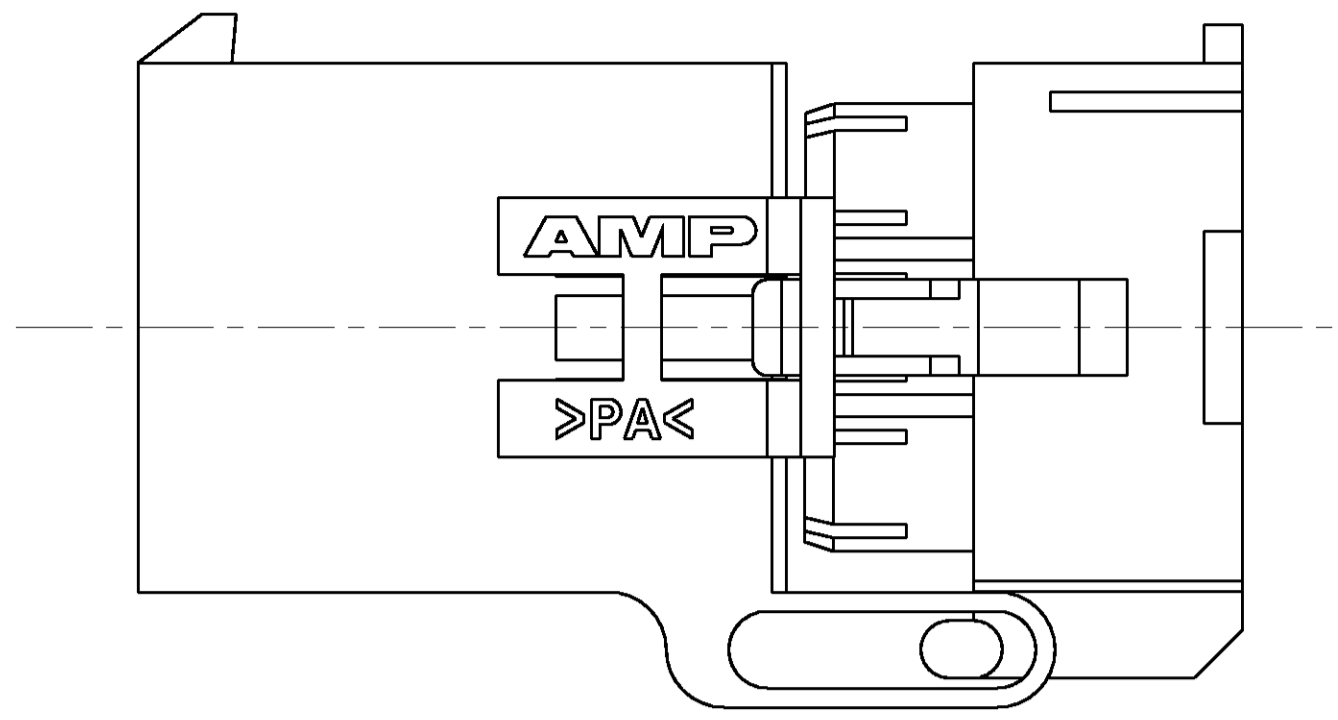
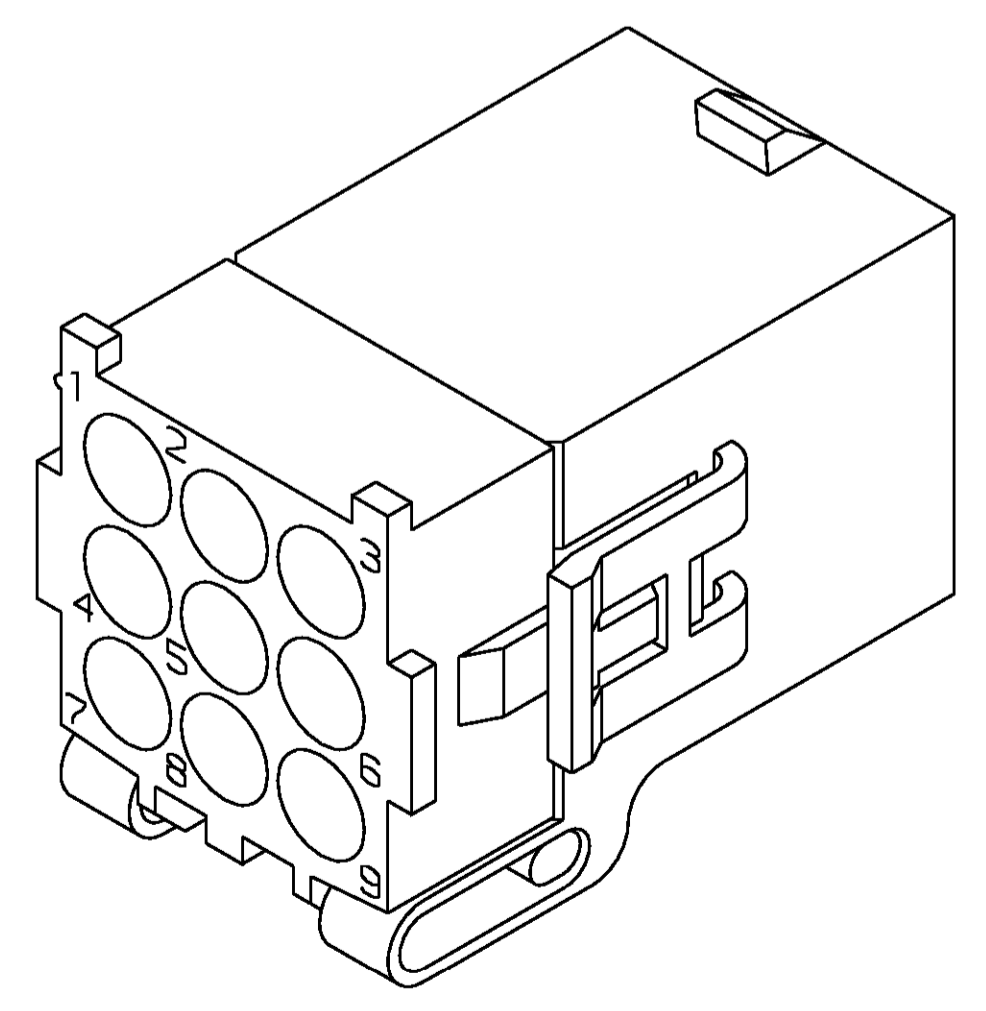
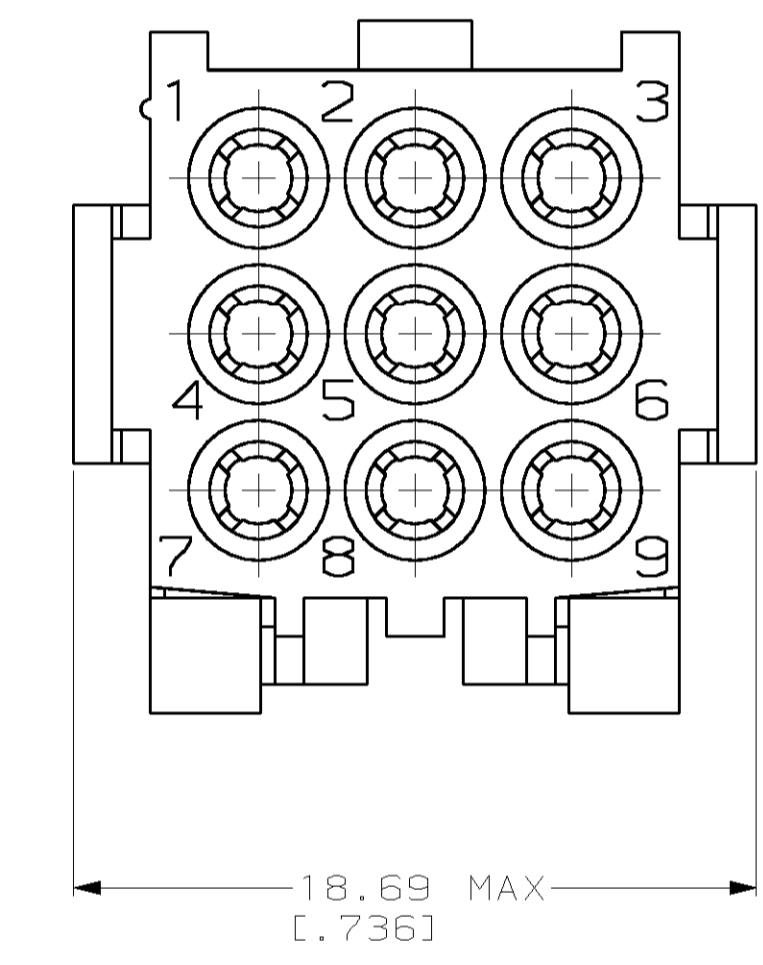
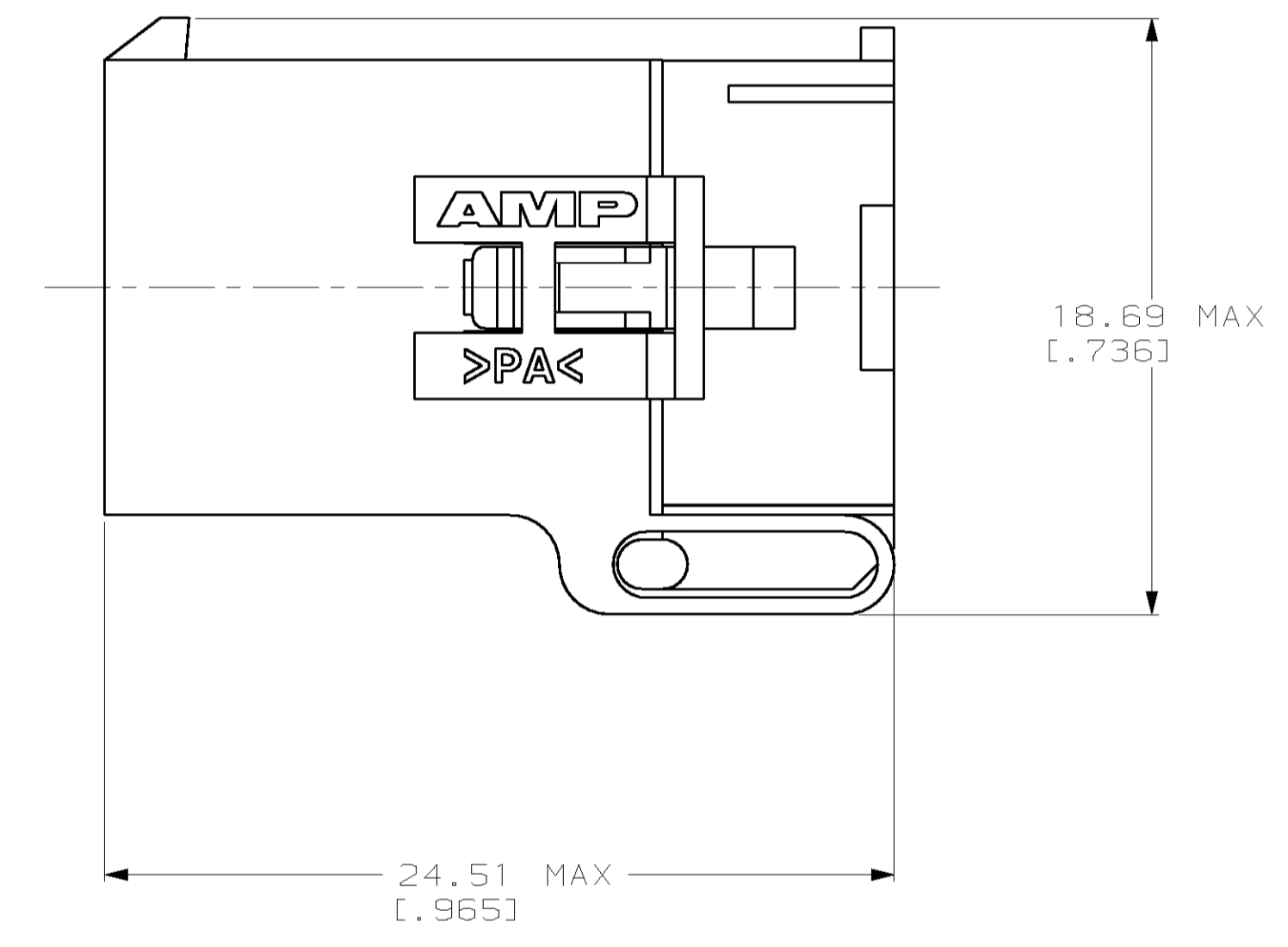
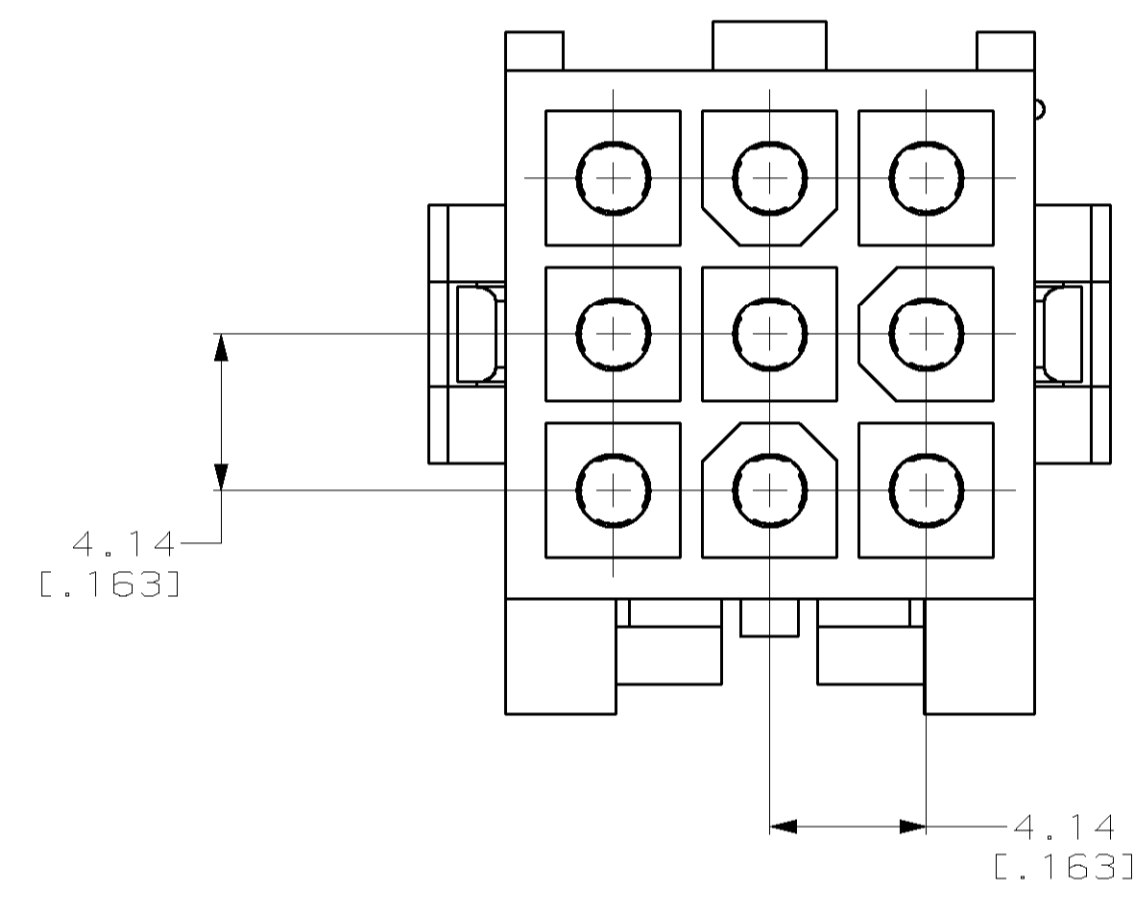


| LOC | | DIST | | REVISIONS | | | | |
|-----|-----|-----------|-----|-----------|-------------------------|------|-----|------|
| F | CHR | DATE | OWN | APVD | DESCRIPTION | DATE | OWN | APVD |
| B | | 23-SEP-99 | KW | KC | REV PER EC 061B-0094-99 | | | |



PRE-STAGED CONDITION

1. DIMENSIONS IN BRACKETS ARE IN INCHES.



3-DIMENSIONAL MODEL
NTS

794195-1
PART NUMBER



| | | | | |
|--|-------------|--------------------|--|---|
| THIS DRAWING IS A CONTROLLED DOCUMENT. | | DWN K. WHITAKER | 5-14-97 | AMP Incorporated Harrisburg, PA 17105-3608 |
| DIMENSIONS: | | CHK R. SWING | 5-14-97 | |
| TOLERANCES UNLESS OTHERWISE SPECIFIED: | | APVD R. ORSTAD | 5-14-97 | |
| 0 PLC ± 1 PLC ± 2 PLC ±0.13 (.005) 3 PLC ± 4 PLC ± ANGLES ± 40° 30' | | NAME | CAP, 9 CIRCUIT, MINI UNIVERSAL MATE-N-LOK™ 2 | |
| MATERIAL NYLON, UL 94V-0, NATURAL | FINISH - | PRODUCT SPEC | APPLICATION SPEC | SIZE A1 |
| CUSTOMER DRAWING | | WEIGHT | - | SCALE 5:1 |
| | | CAGE CODE | 00779 | SHEET 1 OF 1 |
| | | DRAWING NO | 794195 | REV B |