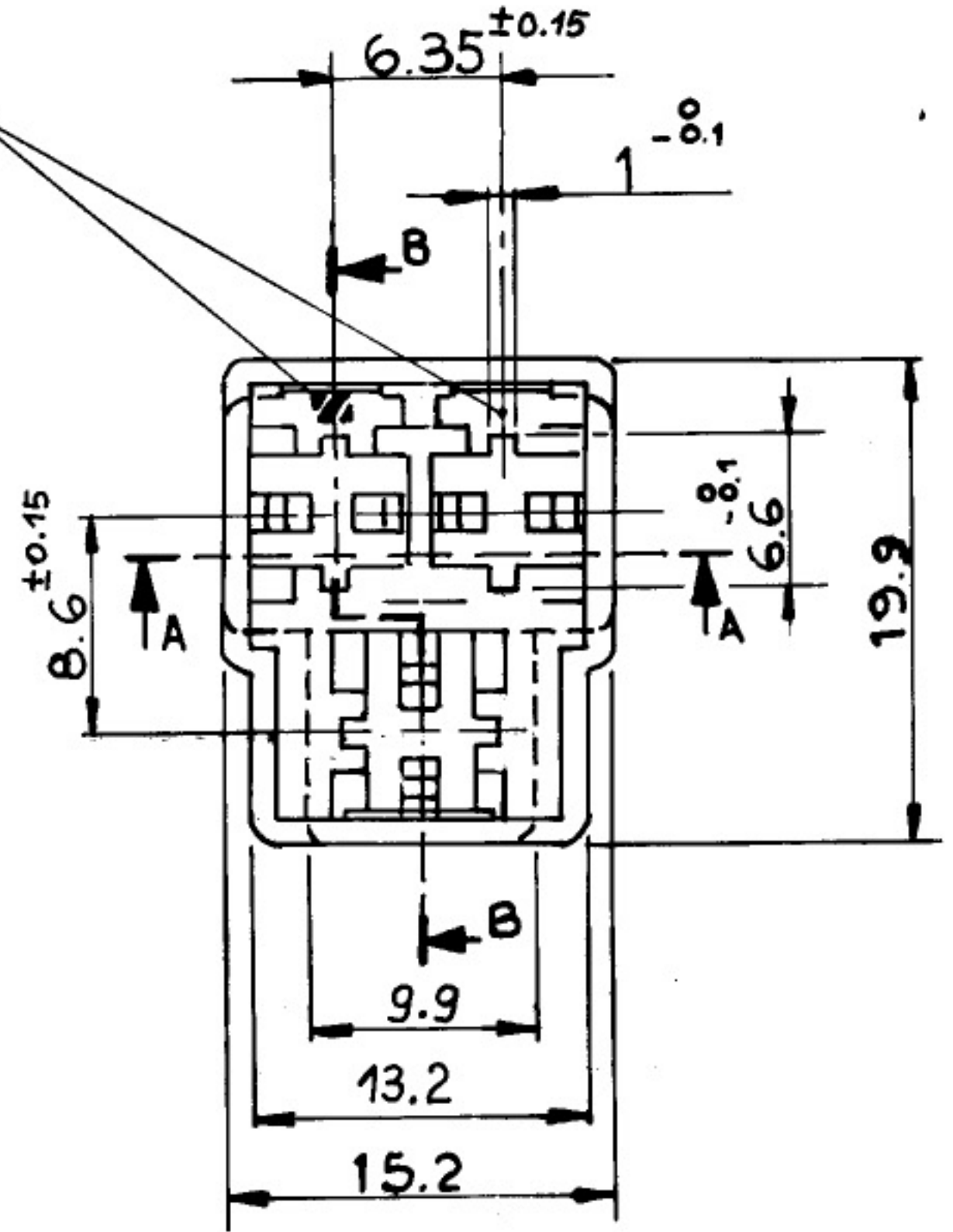
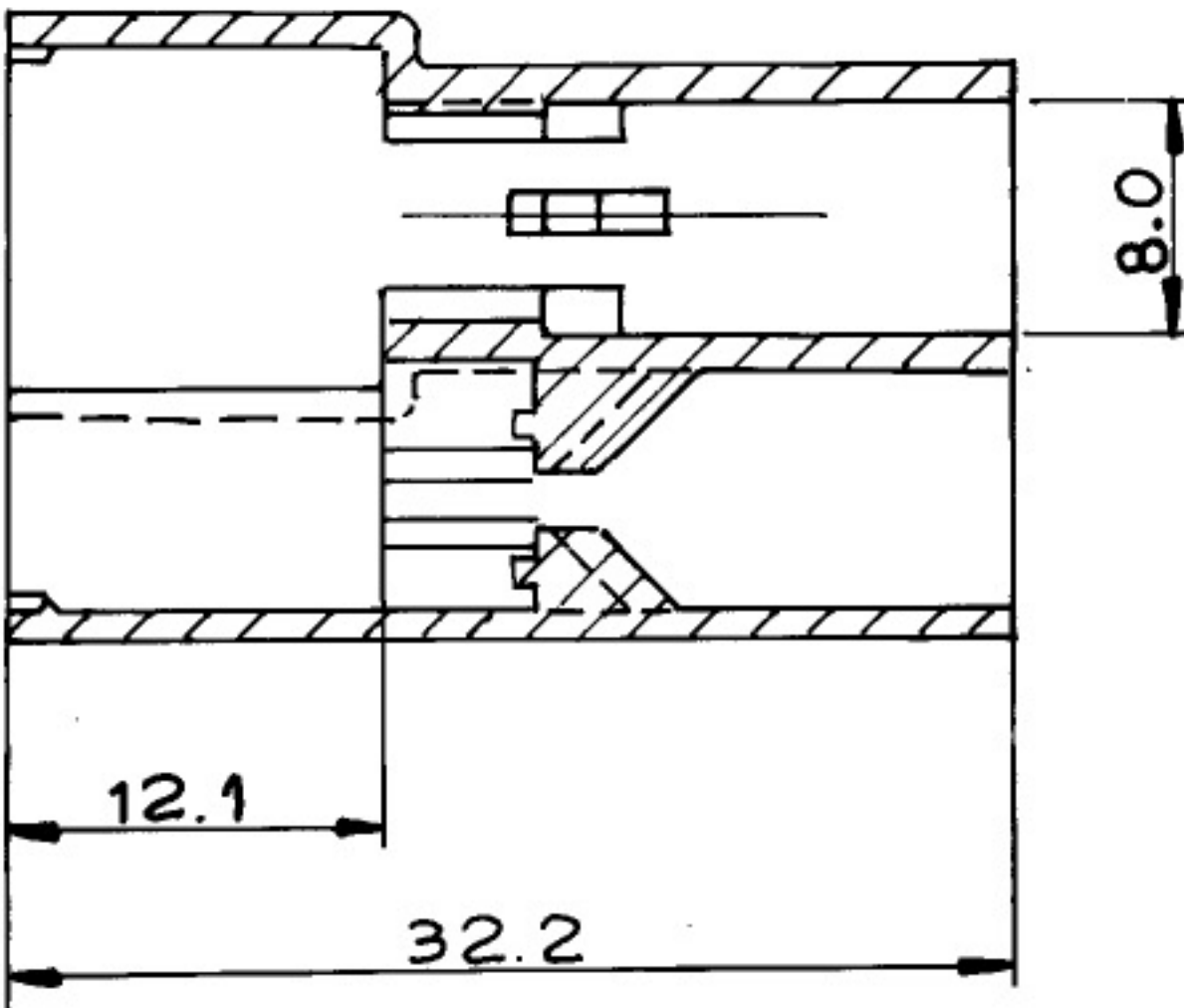


Numeri riferimento via

Marchio e numero



Spessore 0.6 ± 1.1

94090 413\*

COLORE

- 0 BIANCO
- 1 NERO
- 2 ROSSO

Materiale: Poliammide 6.6 Autoestin.  
guente classe V2 - UL 94

SH REV

A ECN Z4 - 121 G LTR	DIMENSIONS <input type="checkbox"/> IN <input checked="" type="checkbox"/> MM UNLESS OTHERWISE SPECIFIED TOLERANCES ANGLES ±		SCALE <b>2:1</b>	THIS DRAWING CONTAINS INFORMATION THAT IS PROPRIETARY TO ZETRONIC S.P.A. AND SHOULD NOT BE USED WITHOUT WRITTEN PERMISSION													
	<table border="1"> <thead> <tr> <th></th> <th>INCH</th> <th>MM</th> </tr> </thead> <tbody> <tr> <td>3 PLACE</td> <td></td> <td></td> </tr> <tr> <td>2 PLACE</td> <td></td> <td>±0.1</td> </tr> <tr> <td>1 PLACE</td> <td></td> <td>±0.2</td> </tr> </tbody> </table>			INCH	MM	3 PLACE			2 PLACE		±0.1	1 PLACE		±0.2	TITLE <b>Copricapocorda a 3 vie ortogonali per maschio serie Z 630</b>		
		INCH	MM														
	3 PLACE																
2 PLACE		±0.1															
1 PLACE		±0.2															
DRWG BY <i>Agostini</i>		APP'D BY		ZETRONIC (ITALIA)	SHEET NO <b>1/1</b>												
DWG NO <b>94090-413X SD</b>			DATE <b>29-7-86</b>		SIZE <b>A4</b>												