

# LCD-DM2

## Dual Small Flat Panel Desk Mount Adaptor

### Product Features:

Allows attachment to two LCD-1 mounts (sold separately) to create side by side viewing

Can be attached as a clamp-on or bolt through mount with parts provided

Mounting pole telescopes from 18" to 24"

Load capacity - 50 lbs

Silver powder coat finish

### Product Specifications:

*(for Architects & Engineers)*

The adaptor which will allow two desk mounted flat panels shall be the Video Mount Products (VMP) model LCD-DM2.

The adaptor shall be used with two LCD-1s to mount flat panels to a desk. The adaptor shall be constructed primarily of tubular steel and shall incorporate nylon filled nuts and arc welds. The adaptor shall include a telescoping mast from 18" to 24" of display height. The adaptor shall be capable of either being through bolted or clamped onto a desk. The load capacity of the adaptor shall be 50 lbs.

### Video Mount Products

345 Log Canoe Circle

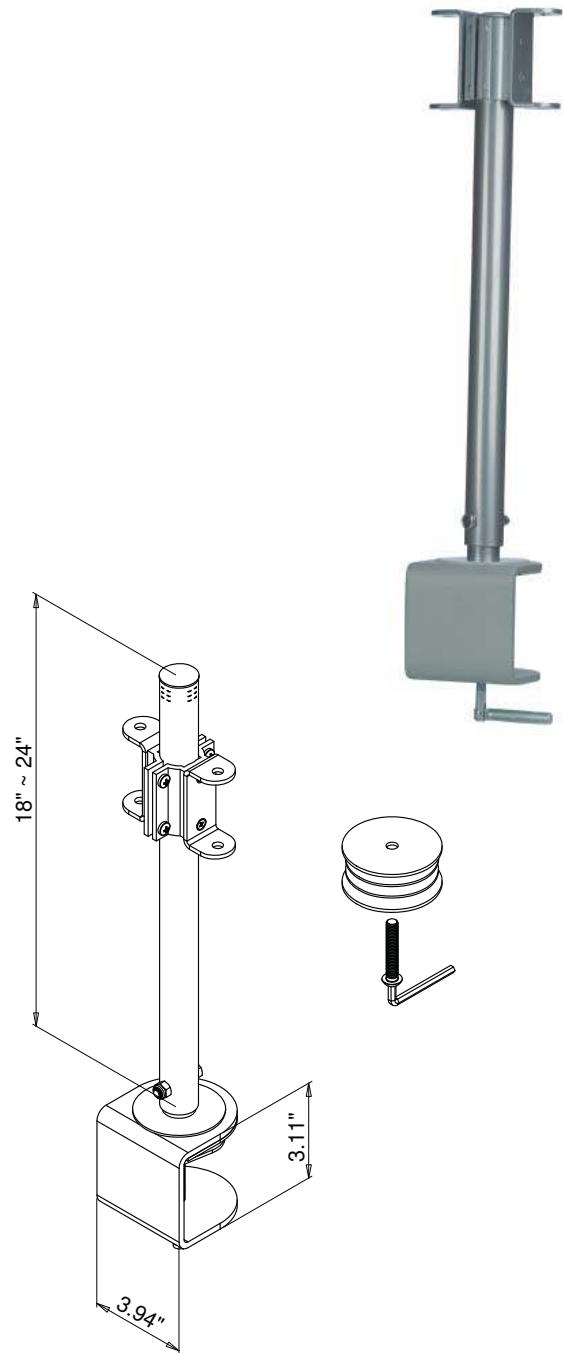
Stevensville, MD 21666

Toll Free: 877.281.2169

Telephone: 410.643.6390

Facsimile: 410.643.6615

[www.videomount.com](http://www.videomount.com)



**VMP**  
VIDEO MOUNT PRODUCTS