

**NEWNEX PROPRIETARY**

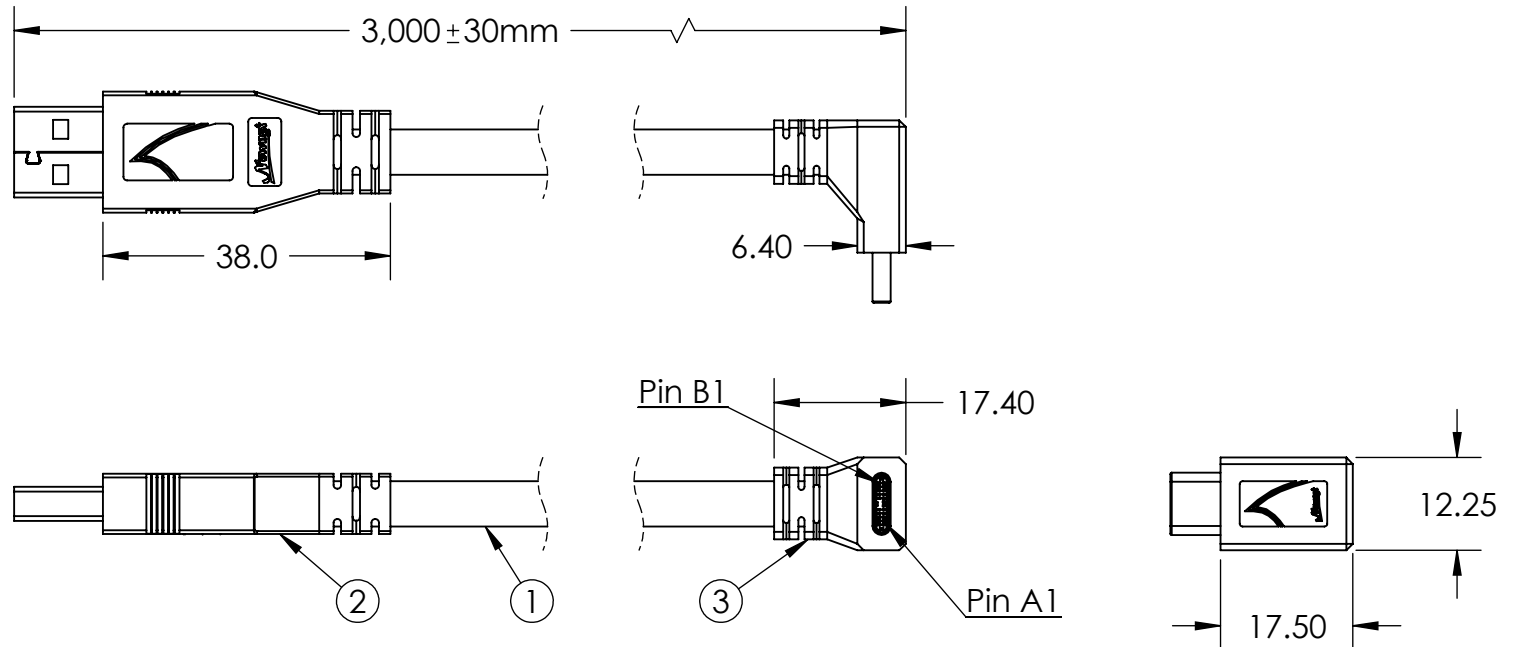
THIS DOCUMENT AND THE DATA DISCLOSED HEREIN OR WITHIN IS NOT TO BE REPRODUCED, USED, OR DISCLOSED IN WHOLE OR PART TO ANYONE WITHOUT THE WRITTEN PERMISSION OF NEWNEX

**COMPANY NAME**

**CUSTOMER SIGNATURE**

**DATE**

**COMMENTS:**



WIRING STRUCTURE			
Type C	SIGNAL NAME	A Male	
A4,B4,A9,B9	VBUS	1	
A5	CC	NC	
A7	Dn1	2	
A6	Dp1	3	
A1,B1,A12,B12	GND	4,7	
A3	SDPn1	5	
A2	SDPp1	6	
B10	SDPn2	8	
B11	SDPp2	9	
SHELL	Shield	SHELL	

Rp=56KΩ

**Notes:**

1. Cable: USB 3.0 Black PVC Jacket.
2. Connector: USB 3.1 A Male.
3. Connector: USB 3.1 Type C Down Angled Male with 56k Rp.
4. Packaging: 1 Piece + PE bag.

Newnex Technology Corp.



UNLESS OTHERWISE SPECIFIED DIMENSIONS ARE IN MILLIMETERS TOLERANCES ARE:

FRACTIONS DECIMALS ANGLES  
 • NA XX ± 0.10 ± 0.5°  
 XXX ± 0.050

PROJ: TITLE: USB 3.1 A Male to Angled Type C Male, 3M, Black.

SCALE: 1:1 REV: A

DATE: 6/30/2021

DRAWN BY: XW

APPROVED BY:

PART NUMBER: U3S1A01C16-030

CHECKED BY:

SHEET 1 OF 1

REVISION COMMENTS: Drawing generated

\*100% OPEN, SHORT, MISWIRE TESTING

\*RoHS compliant product

\*Both shell clam and copper foil have 360 degree contact with braiding