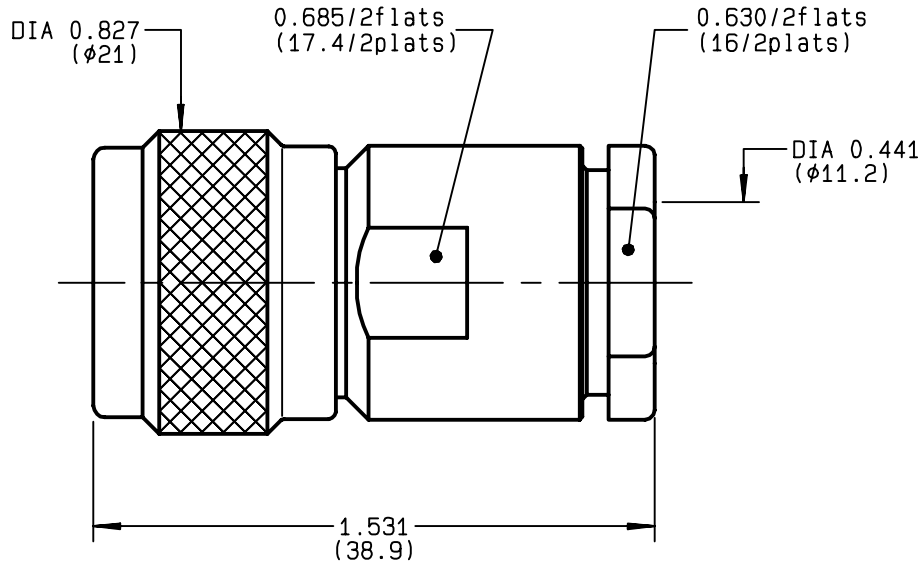


**STRAIGHT PLUG CLAMP TYPE
CABLE 10+11/50+75 S+D**

R161.022.000
SERIES N



| | | |
|---------------------------------|----------------------------------|---|
| NOMINAL IMPEDANCE | 50 Ω | CABLES : KX 4 |
| FREQUENCY RANGE | 0-11 GHz | KX 8 |
| TEMPERATURE RATING | -55/+155 °C | RG 11 |
| V.S.W.R | 1.30 + x F(GHz)Maxi | RG 144 |
| RF INSERTION LOSS | 0.048 √F(GHz) dB Maxi | RG 165 |
| VOLTAGE RATING | 1400 Veff Maxi | RG 213 |
| DIELECTRIC WITHSTANDING VOLTAGE | 2500 Veff Mini | RG 214 |
| INSULATION RESISTANCE | 5000 MΩMini | RG 216 |
| HERMETIC SEAL | NA Atm.cm ³ /s | RG 225 |
| LEAKAGE (pressurized only) | NA | RG 393 |
| MECHANICAL DURABILITY | 500 Cycles | OTHERS CHARACTERISTICS |
| WEIGHT | 49.7 gr | CABLE RETENTION 300 N Mini |
| SPECIFICATION | | CENTER CONTACT RETENTION |
| | | Axial force - mating end 68 N Mini |
| | | Axial force - opposite end 68 N Mini |
| | | Torque NA cm.N Mini |
| | | RECOMMENDED TORQUES |
| | | Mating 130 cm.N |
| | | Panel nut NA cm.N |
| | | Clamp nut 800 cm.N |

| CONNECTOR PARTS | MATERIALS | FINISH | (all values are given in micrometers) |
|-----------------|-----------------|------------------------|---------------------------------------|
| BODY | BRASS | BBR 2 | |
| OUTER CONTACT | BRASS | BBR 2 | |
| CENTER CONTACT | BRASS | GOLD 0.5 OVER NICKEL 2 | |
| INSULATOR | PTFE | - | |
| GASKET | SILICONE RUBBER | - | |
| OTHERS PIECES | BRASS | BBR 2 | |

| | | |
|-------------------------|------------------------------------|--------------------------------------|
| ISSUE 9809C02 | CREATION DATE 03/11/1992 | FILE PART-NUMBER EPC 96-07 |
|-------------------------|------------------------------------|--------------------------------------|



BONMINI

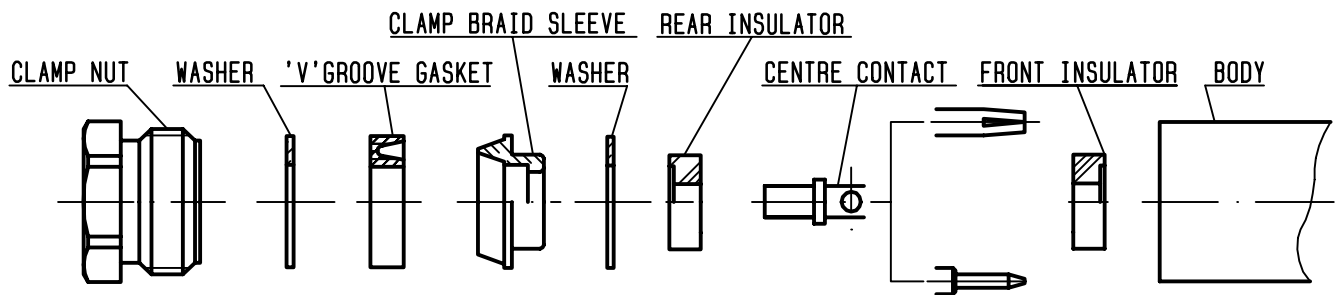
The information given here is subject to change without notice.
Design changes may be in order to improve the product .

Connect to the future



R161.022.000

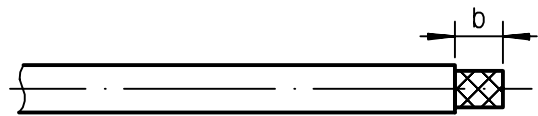
ISSUE 9809C02 SERIES N



①

Strip the cable .

-
-
-
-

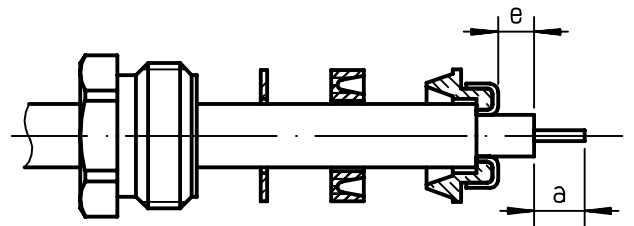


| Stripping | a | b | c | d | e |
|-----------|-------|-------|---|---|-------|
| inch | 0.197 | 0.335 | 0 | 0 | 0.059 |
| mm | 5 | 8.5 | | | 1.5 |

②

Slide the clamp nut , the washer and the 'V' groove gasket onto the cable .
Slide clamp braid sleeve over braid .
Fold back braid and trim off surplus braid .
Trim back dielectric as shown .

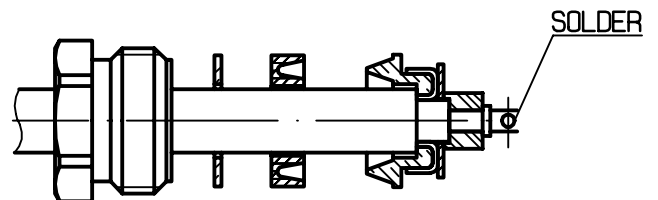
-
-



③

Mount washer and rear insulator .
Solder the cable inner conductor into centre contact .

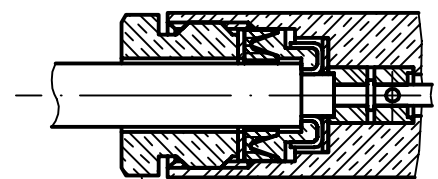
-
-
-
-



④

Mount front insulator .
Screw sub-assembly into the connector body .
(recommended coupling torque 70.87 in.lb)

-



Hex. : 0.63/flats