

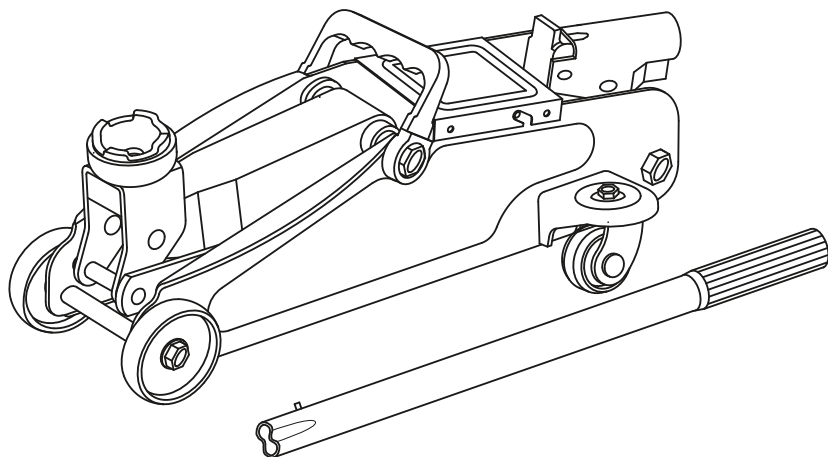
Pro-Lift[®]

Hydraulic Trolley Jack

Operating Instructions & Parts Manual

Model Number
PL2930

Capacity
3,000 lbs



This is the safety alert symbol. It is used to alert you to potential hazards. Obey all safety messages that follow this symbol to avoid personal injury and/or property damage.

-  **WARNING:** Cancer and Reproductive Harm.
 -  **AVERTISSEMENT:** Cancer et dommages au système reproducteur.
 -  **ADVERTENCIA:** Cáncer y daño reproductivo.
- www.P65Warnings.ca.gov**

SFA Companies, Inc.
10939 N. Pomona Ave.
Kansas City, MO 64153
Phone (816)891-6390, Fax (816)891-6599

PL2930-M0_052021

PACKAGE CONTENTS

Part	Description	Qty
A	Trolley Jack	1
B	Pumping Handle	1
C	Carrying Handle	1
D	Blow Mold Case (not shown)	1

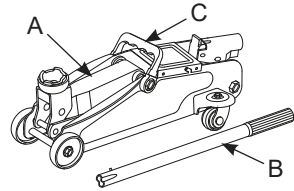


Figure 1 - Package Contents

SAFETY AND GENERAL INFORMATION

Save these instructions. For your safety, read, understand, and follow the information provided with and on this jack before using. The owner and/or operator of this jack shall have an understanding of the jack and safe operating procedures before attempting to use. The owner and/or operator shall be aware that the use and repair of this product may require special skills and knowledge. Instructions and safety information shall be conveyed in the operator's native language before use of this jack is authorized. If any doubt exists as to the safe and proper use of this jack, remove from service immediately. **Inspect before each use.** Do not use if broken, bent, cracked, or damaged parts (including labels) are noted. Any jack that appears damaged in any way, operates abnormally or is missing parts, shall be removed from service immediately. If you suspect that the jack was subjected to a shock load (a load dropped suddenly, unexpectedly upon it), immediately discontinue use until the jack has been checked by a factory authorized service center (contact distributor or manufacturer for list of Authorized Service Centers). It is recommended that an annual inspection be done by qualified personnel. Labels and owner's manuals are available from manufacturer (see page 7).

PRODUCT DESCRIPTION

This Hydraulic Floor Jack is designed to lift, but not support, one end of a vehicle. This Jack must be used in conjunction with a pair of appropriately rated jack stands.

SPECIFICATIONS

Item	Minimum Height	Maximum Height	Weight
PL2930	5-5/16"	11-3/4"	15.4 lbs

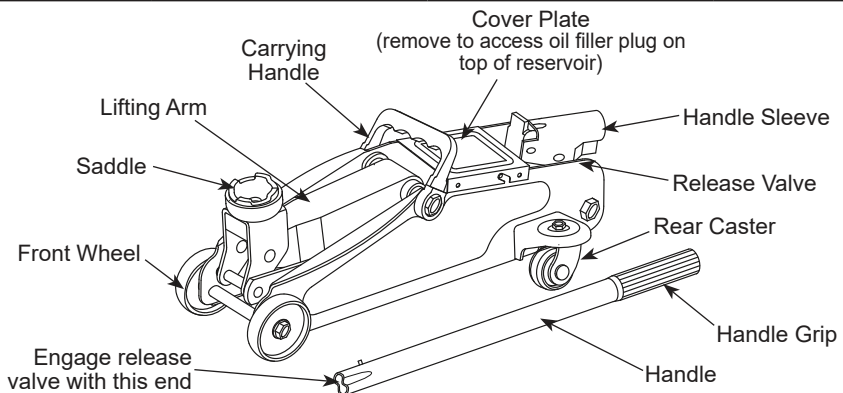


Figure 2 - Typical Floor Jack Nomenclature

!WARNING

- *Study, understand, and follow all instructions before operating this device.*
- *Do not exceed rated capacity.*
- *Use only on hard, level surface.*
- *Lifting device only. Immediately after lifting, support the vehicle with appropriate means.*
- *Do not move or dolly the vehicle on the jack.*
- *Lift only on areas of the vehicle as specified by the vehicle manufacturer.*
- *No alteration shall be made to this product.*
- *Failure to heed these markings may result in personal injury and/or property damage.*

!WARNING

The paint on this product contains lead, a chemical known in the State of California to cause cancer, birth defects and other reproductive harm. Do not ingest paint chips and keep product away from children. Wash hands after each use.

PREPARATION

Before Use


1. Verify that product and application are compatible. If you have questions about the use of this jack or its compatibility with your vehicle, contact Pro-Lift Customer Support at (816) 891-6390.
2. Before using this product, read the owner's manual completely and familiarize yourself thoroughly with the product, its components and recognize the hazards associated with its use.
3. To familiarize yourself with basic operation, use stamped end of the provided handle to engage and turn release valve:
 - a. *Clockwise* until firm resistance is felt to further thread engagement. This is the '**CLOSED**' release valve position used to **raise** the load.
 - b. *Counter-clockwise*, but no more than 1/2 full turn from the closed position. This is the '**OPEN**' release valve position used to **lower** the load.
4. With saddle fully lowered, locate and remove cover plate, then remove oil filler plug. Insert handle into handle sleeve, then pump 6 to 8 full strokes. Check oil level. Proper oil level will vary from just covering ram cylinder to 3/16" above it as seen from oil filler plug hole. Reinstall oil filler plug.
5. Ensure that jack rolls freely and that pump operates smoothly before putting into service. Replace worn or damaged parts and assemblies with factory Authorized Replacement Parts only. Contact Pro-Lift Customer Service or distributor of this product for a list of factory authorized service centers (see Replacement Parts List, page 7). Lubricate as instructed in **Care and Maintenance** section, page 5.

PREPARATION (cont.)

Bleeding/Venting Trapped Air

With release valve in OPEN position (3b above) and with saddle fully lowered, locate and remove oil filler plug. Insert provided handle into handle sleeve; then pump 6 to 8 full strokes. This will help release any pressurized air which may be trapped within reservoir. Proper oil level will vary from just covering ram cylinder to 3/16" above it as seen from oil filler plug hole. Reinstall oil filler plug.


OPERATING INSTRUCTIONS

 **WARNING:** *DO NOT use this device to lift, level, lower, support, adjust or otherwise move a house, mobile home, travel trailer, camper, or building structure of any type, size, or configuration.*

NOTICE: *Use ONLY on vehicles whose lift points are compatible with the saddle of this jack. Incompatibility may result in structural damage to vehicle and/or jack.*

Lifting

1. Place vehicle in park, with emergency brake on and wheels securely chocked to prevent inadvertent vehicle movement.
2. Locate and close release valve by turning handle clockwise until firm resistance is felt to further thread engagement. Center jack saddle under lift point.
3. Insert handle into handle sleeve and pump to contact lift point. Verify proper lift point, then pump handle until load reaches desired height.
4. Transfer load immediately to appropriately rated jack stands.

 **WARNING:** *Never work on, under, or around a load supported only by a hydraulic jack.*

NOTICE: *ONLY use handle provided by with this jack. Handle is specially designed to be compatible with handle sleeve and properly engage release valve. If handle is damaged, operates abnormally, or will not positively engage release valve, STOP, discontinue use of jack until a factory replacement handle assembly can be acquired.*

Lowering

1. Raise load high enough to clear jack stands; then carefully remove them.
2. Slowly turn handle counter-clockwise, but no more than 1/2 full turn. If load fails to lower:
 - a. Use another jack to raise vehicle high enough to reinstall jack stands.
 - b. Remove malfunctioning jack, then repeat Lowering procedure from Step 1.
 - c. Using functioning jack, lower vehicle.
3. After removing jack from under vehicle, push saddle down to reduce ram exposure to rust and contamination.

CARE AND MAINTENANCE

NOTICE: Use only good quality hydraulic jack oil. NEVER use brake fluid, turbine oil, transmission fluid, motor oil or glycerin. Improper fluid can cause jack failure and sudden loss of load. Mobil DTE13M or equivalent is recommended.

Adding Oil

1. With saddle fully lowered set jack in its upright, level position. Locate and remove oil filler plug.
2. Proper oil level will vary from just covering inner cylinder to ~3/16" above inner cylinder as seen from oil filler plug hole. If oil level is too low, jack will not raise to advertised maximum height. Reinstall oil filler plug.

NOTICE: Do not overfill reservoir. Overfilled reservoir can cause a variety of performance problems and create an oil spill on shop floor (see **Troubleshooting**, page 6).

Changing Oil

For best performance and longest life, completely replace fluid supply at least once per year.

1. With saddle fully lowered, remove oil filler plug.
2. Lay jack on its side and drain fluid into a suitable container.

NOTICE: Dispose of hydraulic fluid in accordance with local environmental regulations.

3. Fill with oil. Proper oil level will vary from just covering inner cylinder to ~3/16" above inner cylinder as seen from oil filler plug hole. Reinstall oil filler plug.

Lubrication

A periodic coating of light lubricating oil to pivot points, axles and hinges will help to prevent rust and assure that wheels, casters and pump assemblies move freely.

Cleaning

Periodically check pump piston and ram for signs of rust or corrosion. Clean as needed and wipe with an oily cloth.

NOTICE: Never use sandpaper or abrasive material on ram or pump piston.

Storage

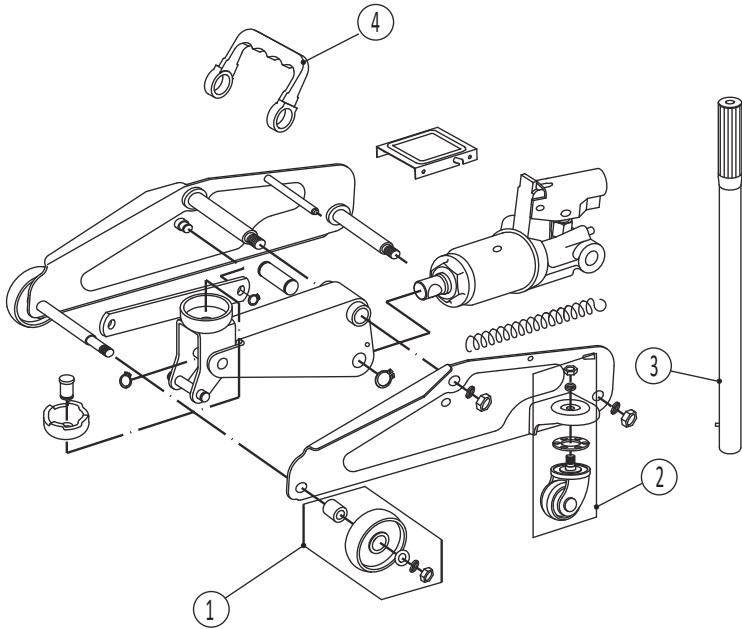
Store the jack with pump piston, ram plunger, and saddle fully lowered and release valve open, but never more than 1/2 turn. This will help prevent rust and corrosion to critical surfaces.

TROUBLESHOOTING

Symptom	Possible Causes	Corrective Action
Jack will not lift load	<ul style="list-style-type: none"> • Release valve not tightly closed. • Load is too heavy. 	<ul style="list-style-type: none"> • Ensure release valve tightly closed. Use the provided handle to engage release valve. Turn release valve clockwise until firm resistance is felt. • Use higher capacity jack.
Jack slowly and unintentionally lowers after lifting	<ul style="list-style-type: none"> • Hydraulic unit malfunction. 	<ul style="list-style-type: none"> • Discontinue use, contact Customer Support.
While lowering, fluid leaks from reservoir area or jack saddle will not descend to lowest advertised height	<ul style="list-style-type: none"> • Reservoir overfilled. • Ram plunger/cylinder deformed, seized up in ram cylinder and/or top nut, likely the result of off-center loading. 	<ul style="list-style-type: none"> • Drain fluid to proper level. • Contact Customer Support.
Jack saddle will not remain lowered after released from contact with load (creeps up)	<ul style="list-style-type: none"> • Air trapped in system. 	<ul style="list-style-type: none"> • If jack saddle is not in contact with lifted load, remove jack and follow instructions on page 4 for bleeding air from system. If there is loaded contact between saddle and raised vehicle, STOP, use another jack to raise vehicle high enough to re-install jack stands. Remove affected jack, then jack stands. Using a functioning jack, lower load, then follow instructions on page 4 for bleeding air from system.
Poor lift performance	<ul style="list-style-type: none"> • Fluid level low. • Air trapped in system. • Hydraulic unit malfunction. 	<ul style="list-style-type: none"> • Ensure proper fluid level. • With saddle fully lowered, follow instructions for bleeding air on page 4. • Contact Customer Support.
Will not lift to full height	<ul style="list-style-type: none"> • Fluid level low. 	<ul style="list-style-type: none"> • Ensure proper fluid level.

REPLACEMENT PARTS

Not all components of the jack are replacement items, but are illustrated as a convenient reference of location and position in the assembly sequence. When ordering parts, give model number, serial number and item/description below. Call or write for current pricing: **Pro-Lift Customer Support, 10939 N. Pomona Ave., Kansas City, MO 64153. Phone (816) 891-6390, Fax (816) 891-6599**



Item	Description	Qty
1	Front wheel assembly	2
2	Rear wheel assembly	2
3	Pump handle	1
4	Carry handle	1

Figure 3 - Replacement Parts Illustration

ONE YEAR LIMITED WARRANTY

For a period of one (1) year from date of purchase, **SFA Companies, Inc.** will repair or replace, at its option, without charge, any of its products which fails due to a defect in material or workmanship under normal usage. This limited warranty is a consumer's exclusive remedy.

Performance of any obligation under this warranty may be obtained by returning the warranted product, freight prepaid, to **SFA Companies, Inc.** Warranty Service Department, 10939 N. Pomona Ave., Kansas City, MO 64153.

Except where such limitations and exclusions are specifically prohibited by applicable law, (1) THE CONSUMER'S SOLE AND EXCLUSIVE REMEDY SHALL BE THE REPAIR OR REPLACEMENT OF DEFECTIVE PRODUCTS AS DESCRIBED ABOVE. (2) **SFA Companies, Inc.** SHALL NOT BE LIABLE FOR ANY CONSEQUENTIAL OR INCIDENTAL DAMAGE OR LOSS WHATSOEVER. (3) ANY IMPLIED WARRANTIES, INCLUDING WITHOUT LIMITATION THE IMPLIED WARRANTIES OF MERCHANTABILITY AND FITNESS FOR A PARTICULAR PURPOSE, SHALL BE LIMITED TO ONE YEAR. OTHERWISE THE REPAIR, REPLACEMENT OR REFUND AS PROVIDED UNDER THIS EXPRESS LIMITED WARRANTY IS THE EXCLUSIVE REMEDY OF THE CONSUMER, AND IS PROVIDED IN LIEU OF ALL OTHER WARRANTIES, EXPRESS OR IMPLIED. (4) ANY MODIFICATION, ALTERATION, ABUSE, UNAUTHORIZED SERVICE OR ORNAMENTAL DESIGN VOIDS THIS WARRANTY AND IS NOT COVERED BY THIS WARRANTY.

Some states do not allow limitations on how long an implied warranty lasts, so the above limitation may not apply to you. Some states do not allow the exclusion or limitation of incidental or consequential damages, so the above limitation or exclusion may not apply to you. This warranty gives you specific legal rights, and you may also have other rights, which vary from state to state.

Pro-Lift[®]

SFA Companies, Inc.
10939 N. Pomona Ave., Kansas City, MO 64153
Phone (816)891-6390, Fax (816)891-6599
8

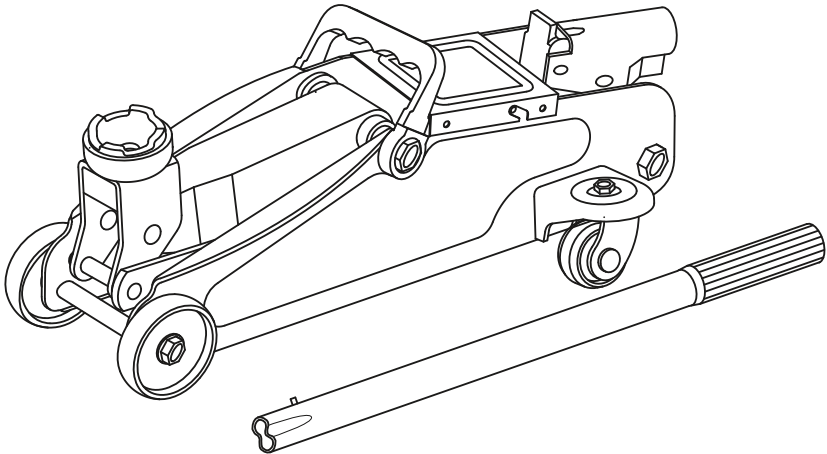
Pro-Lift®

Cric Rouleur Hydraulique

Mode d'emploi & liste des pièces

Modèle numéro
PL2930

Capacité
3,000 livres



Ceci est le symbole de prudence. Il indique un risque potentiel de danger. Pour ne pas subir de blessures et/ou causer des dégâts matériels, veuillez toujours observer les consignes de sécurité.

SFA Companies, Inc.
10939 N. Pomona Ave.
Kansas City, MO 64153
Phone (816)891-6390, Télécopieur (816)891-6599

CONTENU DU COLIS

Section	Description	Qté
A	Cric rouleur	1
B	Levier de la pompe	1
C	Poignée de transport	1
D	Cas de transport	1

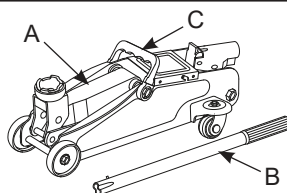


Figure 1 - Contenu du colis

CONSEILS DE SÉCURITÉ ET RENSEIGNEMENTS GÉNÉRAUX

Conservez ces directives. Avant d'utiliser ce cric, et pour votre sécurité, lisez attentivement ce guide et assurez-vous de bien le comprendre et de suivre les instructions. Avant d'utiliser ce cric, le propriétaire et/ou l'utilisateur doit savoir comment il fonctionne et comment l'utiliser en toute sécurité. Le propriétaire et/ou l'utilisateur doit être conscient(s) que l'utilisation et la réparation de ce cric requièrent des compétences et des connaissances particulières. Avant d'autoriser l'utilisation de ce cric, les consignes de sécurité et les renseignements doivent avoir été transmis à l'utilisateur dans sa langue maternelle. Si un doute subsiste quant à la sécurité ou l'usage correct du cric, le retirer immédiatement du service.

Inspectez le cric avant chaque usage. Si vous remarquez que certaines pièces (y compris les étiquettes) sont cassées, déformées, fissurées ou endommagées, ne l'utilisez pas. Un cric qui semble endommagé, qui fonctionne mal ou dont il manque des pièces doit immédiatement être retiré du service. Si l'on pense que le cric a été soumis, ou semble avoir été soumis, à une surcharge d'impact (charge qui serait tombée accidentellement dessus), cessez immédiatement de l'utiliser et faites-le vérifier par un centre de réparation agréé par l'usine (adressez-vous au distributeur ou au fabricant pour une liste des centres de réparation agréés). Il est recommandé qu'un personnel qualifié inspecte annuellement le cric. Vous pouvez vous procurer des étiquettes et des modes d'emploi en vous adressant au fabricant (voir page 15).

DESCRIPTION DU PRODUIT

Ce cric rouleur hydraulique est conçu pour soulever, et non soutenir, l'extrémité d'un véhicule. Le cric doit être utilisé en conjonction avec une paire de chandelles d'une capacité adéquate.

SPÉCIFICATIONS

Article	Hauteur minimale	Hauteur maximale	Poids
PL2930	135 mm (5-5/16 po)	300 mm (11-3/4 po)	7 kg (15.4 lbs)

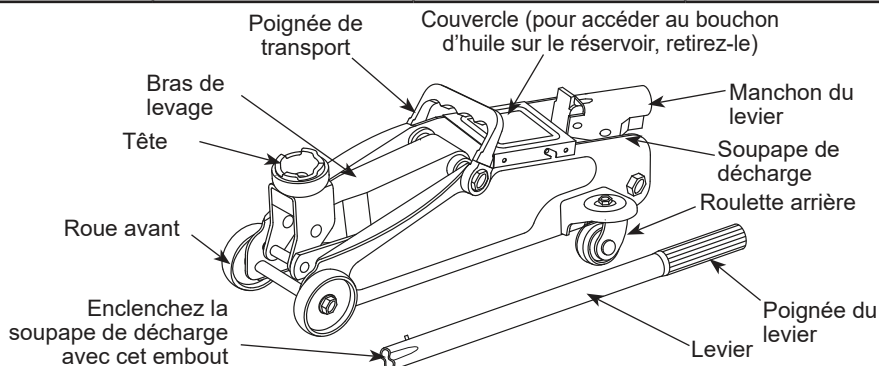


Figure 2 - Nomenclature typique du cric rouleur

⚠️ AVERTISSEMENT

- *Il faut prendre connaissance des directives fournies avec ce produit, les comprendre et s'y conformer avant de l'utiliser.*
- *N'excédez pas la capacité recommandée.*
- *Utilisez sur un sol plat et stable.*
- *Ceci est un outil de levage uniquement. Dès que le véhicule a été soulevé, faites-le soutenir par des moyens adéquats.*
- *Ne bougez ou ne déplacez pas le véhicule sur le cric.*
- *Ne soulever qu'aux endroits de levage recommandés par le fabricant du véhicule.*
- *Ne pas modifier le produit.*
- *Respectez les mises en garde et avertissements de ce guide sous peine de provoquer des blessures personnelles et/ou de causer des dégâts matériels.*

⚠️ AVERTISSEMENT

La peinture sur ce produit contient du plomb, un produit chimique connu dans l'État de Californie pour causer le cancer, des malformations congénitales et d'autres problèmes de reproduction. Ne pas ingérer des éclats de peinture et garder le produit loin des enfants. Se laver les mains après chaque utilisation.

PRÉPARATION

Avant l'utilisation


1. Vérifiez que la capacité du cric soit compatible avec la tâche à accomplir. Si vous avez des questions concernant l'utilisation du cric ou sa compatibilité avec votre véhicule, contactez le service clientèle Pro-Lift au (816) 891-6390.
2. Lisez attentivement tout ce mode d'emploi avant d'utiliser le cric, habituez-vous à l'appareil et ses composants et sachez reconnaître les dangers associés à l'utilisation du cric.
3. Pour vous familiariser avec le fonctionnement de base du cric, utilisez l'embout estampillé du levier fourni pour enclencher et tourner la soupape de décharge :
 - a. Dans le sens des aiguilles d'une montre jusqu'à ferme résistance. Ceci est la position "**FERMÉE**" de la soupape utilisée pour lever la charge.
 - b. Dans le sens contraire des aiguilles d'une montre, mais pas plus qu'un demi tour à partir de la position fermée. Ceci est la position "**OUVERTE**" de la soupape, utilisée pour baisser la tête.
4. Avec la tête complètement baissée, repérez et retirez le couvercle pour ensuite enlever le bouchon du réservoir d'huile. Insérez le levier dans le manchon du levier et pompez de 6 à 8 fois. Vérifiez le niveau d'huile. Le niveau d'huile approprié varie, de la base de l'orifice du réservoir jusqu'à 3/16" par-dessus, tel que vu par l'orifice. Remettez le bouchon.
5. Veillez à ce que le cric roule librement et que la pompe fonctionne sans problème avant de mettre le cric en service. Remplacez toute pièce ou composant de pièce usé(e) ou endommagé(e) uniquement par une pièce de rechange autorisée (voir la liste de pièces de rechange page 15). Suivez les instructions de la section **Entretien et Maintenance** pour lubrifier.

PRÉPARATION (suite)

Vidange/Ventilation de l'air coincé

Avec la soupape de décharge en position OUVERT (3b. ci-dessus) et la tête complètement baissée, repérez et retirez le bouchon du réservoir d'huile. Insérez le levier dans le manchon du levier; pompez ensuite de 6 à 8 fois. Cela aidera à vider l'excès d'air sous pression présent dans le réservoir. Le niveau d'huile approprié varie, de la base de l'orifice du réservoir jusqu'à 3/16" par-dessus, tel que vu par l'orifice. Remettez le bouchon du réservoir d'huile.


MODE D'EMPLOI

 **AVERTISSEMENT** : *N'utilisez PAS ce produit pour soulever, niveler, abaisser, soutenir ou déplacer une maison, une maison mobile, un camping car, une caravane ou tout genre de construction.*

NOTE : *Utilisez UNIQUEMENT sur des véhicules dont les points de soutien sont compatibles avec la tête du cric. Une incompatibilité pourrait aboutir à des dommages structurels sur le véhicule et/ou le cric.*

Soulever

1. Mettez le véhicule en position parking, activez le frein à main et calez les roues pour éviter un mouvement accidentel du véhicule.
2. Repérez et fermez la soupape de décharge en tournant la poignée dans le sens des aiguilles d'une montre jusqu'à ferme résistance. Centrez la tête du cric sous le point de levage.
3. Insérez le levier dans le manchon du levier et pompez jusqu'à ce que la tête contacte le point de levage. Vérifier si le point de levage est correct et pompez avec la poignée jusqu'à ce que la charge atteigne la hauteur désirée.
4. Effectuez immédiatement le transfert de la charge vers une paire de chandelles de capacité adéquate.

 **AVERTISSEMENT** : *Ne travaillez jamais sur, en-dessous, ou autour d'une charge soutenue uniquement par un cric hydraulique.*

NOTE : *Utilisez uniquement le levier fourni avec ce cric. Il est conçu spécialement pour sa compatibilité avec le manchon du levier et pour enclencher la soupape de décharge correctement. Si le levier est endommagé, ne fonctionne pas correctement ou n'enclenche pas franchement la soupape de décharge, ARRÊTEZ, n'utilisez plus le cric tant que le levier n'a pas été remplacé par un levier autorisé par le fabricant.*

Abaisser

1. Soulevez la charge de manière à pouvoir enlever les chandelles; retirez-les alors prudemment.
2. Tournez lentement la poignée de la soupape de décharge, dans le sens contraire des aiguilles d'une montre, mais pas plus d'un demi-tour. Si la charge ne baisse pas:
 - a. Utilisez un autre cric pour soulever la charge et remettre les chandelles.
 - b. Enlevez le cric défectueux et répétez la procédure d'abaissement depuis l'étape

- c. Utilisez le bon cric pour baisser le véhicule.
3. Après avoir retiré le cric du véhicule, abaissez complètement sa tête pour réduire le risque de rouille et contamination du vérin.

ENTRETIEN ET MAINTENANCE

NOTE : *Utilisez uniquement de l'huile de cric hydraulique haut de gamme. N'utilisez JAMAIS d'huile de frein, de turbine, de transmission, de moteur ou de glycérine. L'utilisation d'une huile non-adéquate peut entraîner une défaillance du cric et une chute soudaine de la charge. Nous recommandons l'huile Mobil DTE 13M.*

Ajout d'huile

1. Avec la tête complètement baissée placez le cric en position debout et nivelé. Repérez et enlevez le bouchon du réservoir d'huile
2. Le niveau d'huile approprié varie, de la base de l'orifice du réservoir jusqu'à 3/16" par-dessus, tel que vu par l'orifice. Si le niveau d'huile est trop bas, le cric ne soulèvera pas la charge à la hauteur maximale vantée. Remettez le bouchon du réservoir d'huile.

NOTE: *Ne remplissez pas trop le réservoir. Un réservoir trop rempli peut causer une série de problèmes et répandre de l'huile sur le sol de l'atelier (voir la section Diagnostic des pannes page 14).*

Changer l'huile

Pour un rendement optimal et une durée de vie maximale, changez l'huile complètement au moins une fois par an.

1. Avec la tête complètement baissée, enlevez le bouchon du réservoir d'huile.
2. Placez le cric sur son côté et videz l'huile dans un récipient adéquat.

NOTE: *Recyclez l'huile selon les réglementations locales.*

3. Versez l'huile. Le niveau d'huile approprié varie, de la base de l'orifice du réservoir jusqu'à 3/16" par-dessus, tel que vu par l'orifice. Remettez le bouchon.

Lubrification

Appliquez de temps en temps une couche d'huile légère sur les points de pivots, les axes et les charnières, afin d'aider à prévenir la rouille et d'assurer un mouvement libre des roues, des roulettes et de la pompe.

Nettoyage

Vérifiez périodiquement le piston de la pompe et le vérin (rouille ou corrosion). Nettoyez si nécessaire et essuyez avec une serviette imbibée d'huile.

NOTE: *N'utilisez jamais de papier de verre ou de matériau abrasif sur ces surfaces.*

Remisage

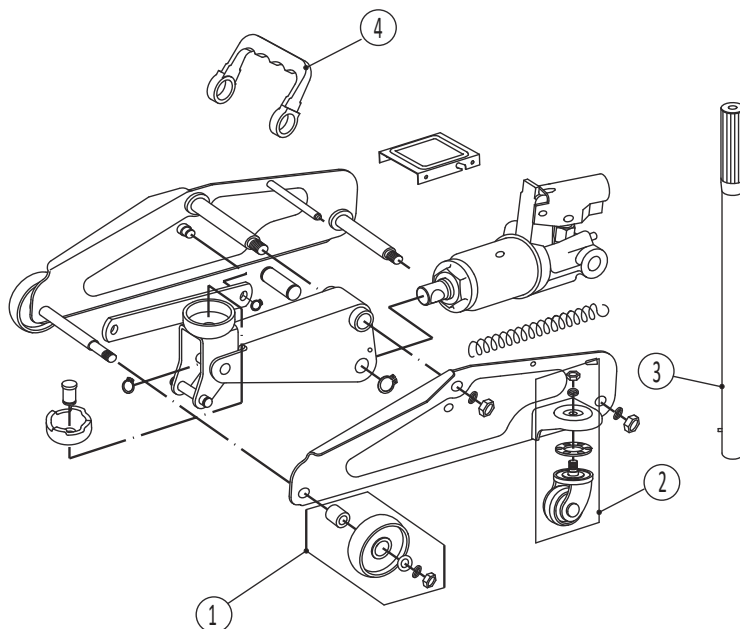
Rangez le cric avec le piston de la pompe, le vérin et la tête complètement baissés et la soupape de décharge ouverte mais pas plus d'un demi tour. Ceci prévient la rouille et la corrosion sur les surfaces critiques.

DIAGNOSTIC DES PANNES

Symptômes	Causes possibles	Solutions
Le cric ne soulève pas la charge	<ul style="list-style-type: none"> • La soupape de décharge n'est pas complètement fermée • Surcharge 	<ul style="list-style-type: none"> • Resserrez fermement la soupape de décharge. Utilisez le levier fourni pour enclencher la soupape de décharge. Tournez la soupape de décharge dans le sens des aiguilles d'une montre jusqu'à ferme résistance • Utilisez un cric plus puissant.
Le cric abaisse la charge lentement et involontairement après l'avoir soulevée	<ul style="list-style-type: none"> • Mauvais fonctionnement de l'unité hydraulique 	<ul style="list-style-type: none"> • Cessez l'utilisation et contactez le service clientèle
Lors de l'abaissement, le réservoir fuit ou bien la tête ne s'abaisse pas jusqu'à la hauteur vantée	<ul style="list-style-type: none"> • Réservoir d'huile trop rempli • Le piston du vérin/cylindre est déformé et coincé dans le cylindre probablement dû à une charge non-centrée 	<ul style="list-style-type: none"> • Videz l'huile jusqu'au niveau approprié. • Contactez le service clientèle
Le cric ne reste pas abaissé lorsqu'il est libéré de la charge (il remonte doucement)	<ul style="list-style-type: none"> • Air dans le système 	<ul style="list-style-type: none"> • Si la tête du cric n'est pas en contact avec la charge soulevée, retirez le cric et suivez les instructions de la page 12 pour la ventilation de l'air coincé dans le système. Si il y a contact entre la tête et le véhicule soulevé ARRÊTEZ, Utilisez un autre cric pour soulever le véhicule et remettre les chandelles. Enlevez le cric défectueux et les chandelles. Utilisez un bon cric pour baisser le véhicule et suivez les instructions de la page 12 pour la ventilation de l'air coincé dans le système.
Faible rendement	<ul style="list-style-type: none"> • Niveau d'huile bas • Air dans le système • Mauvais fonctionnement de l'unité hydraulique 	<ul style="list-style-type: none"> • Vérifiez le niveau d'huile. • Avec la tête complètement baissée, suivez les instructions de la page 12 pour la ventilation de l'air coincé • Contactez le service clientèle
Ne soulève pas jusqu'à pleine amplitude	<ul style="list-style-type: none"> • Niveau d'huile bas 	<ul style="list-style-type: none"> • Vérifiez le niveau d'huile.

PIÈCES DE RECHANGE

Les parties du cric ne sont pas toutes remplaçables. Elles sont toutefois illustrées en tant que référence pratique pour indiquer leur emplacement et leur position lors de l'assemblage. Lors de votre commande, indiquez toujours les numéros de modèle et de série ainsi que la description de la pièce. Pour connaître les prix courant veuillez nous téléphoner ou nous écrire à: **Service Clientèle Pro-Lift, 10939 N. Pomona Ave., Kansas City, MO 64153. Tél. (816) 891-6390, Télécopieur (816) 891-6599**



Art.	Description	Qté
1	Ensemble roue avant	2
2	Ensemble roue arrière	2
3	Poignée de pompe	1
4	Poignée de transport	1

Figure 3 - Illustration des pièces de rechange

GARANTIE LIMITÉE DE 1 AN

Pendant une période d'un (1) an, à partir de la date d'achat, **SFA Companies, Inc.** réparera ou remplacera, à sa discrétion, sans frais, tous ses produits qui, utilisés dans des conditions normales, sont défectueux à cause d'un défaut de matériel ou de fabrication. Cette garantie limitée est le seul recours du consommateur.

Pour bénéficier du service offert par la garantie, il faut retourner le produit couvert par celle-ci, port payé, à **SFA Companies, Inc.** Warranty Service Department, 10939 N. Pomona Ave., Kansas City, MO 64153, États-Unis.

Sauf dans les cas où les limitations et les exclusions décrites dans ce paragraphe sont spécifiquement interdites par la loi : (1) LE SEUL RECOURS DU CONSOMMATEUR EST DE FAIRE RÉPARER OU REMPLACER LES PRODUITS DÉFECTUEUX COMME DÉCRIT CI-DESSUS; (2) **SFA Companies, Inc.** NE SERA PAS TENUE RESPONSABLE DES DOMMAGES CONSÉCUTIFS OU INDIRECTS OU DE PERTES QUELCONQUES; (3) TOUTE GARANTIE IMPLICITE, CE QUI INCLUT SANS LIMITATION LES GARANTIES IMPLICITES DE COMMERCIALITÉ ET D'ADAPTATION À UN USAGE PARTICULIER, SERA LIMITÉE À UN AN, À DÉFAUT DE QUOI LA RÉPARATION, LE REMPLACEMENT OU LE REMBOURSEMENT, SELON CETTE GARANTIE EXPRESSE LIMITÉE, CONSTITUE LE SEUL RECOURS DU CLIENT, ET REMPLACE TOUTE AUTRE GARANTIE, IMPLICITE OU EXPRESSE; (4) TOUTE MODIFICATION, ALTÉRATION, UTILISATION ABUSIVE OU NON AUTORISÉE OU DÉCORATION ORNEMENTALE ANNULE CETTE GARANTIE ET N'EST PAS COUVERTE PAR CELLE-CI.

Certaines provinces et certains États ne permettent pas de limiter la durée d'une garantie implicite et il est donc possible que la limitation décrite ci-dessus ne s'applique pas. Certaines provinces et certains États ne permettent pas d'exclure ou de limiter les dommages consécutifs ou indirects et il est donc possible que la limitation ou l'exclusion mentionnée ci-dessus ne s'applique pas. Cette garantie vous confère des droits particuliers et il est aussi possible que vous puissiez jouir d'autres droits qui varient d'une province à l'autre et d'un État à l'autre.

Pro-Lift[®]

SFA Companies, Inc.
10939 N. Pomona Ave., Kansas City, MO 64153
Phone (816)891-6390, Fax (816)891-6599

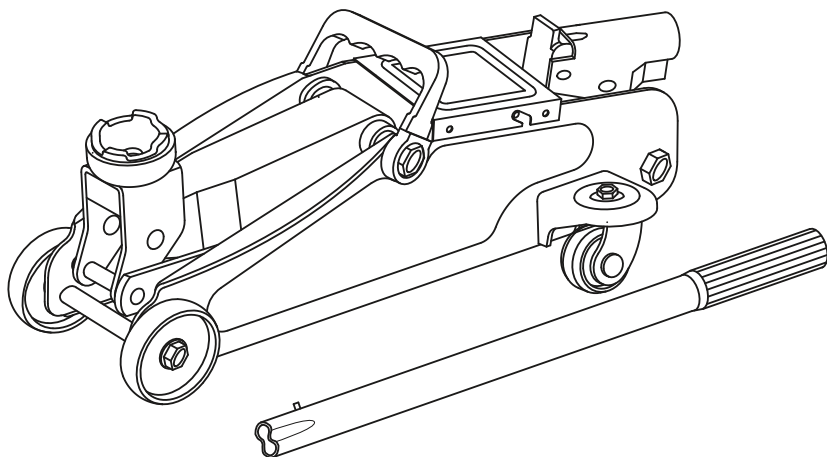
Pro-Lift[®]

Gato de Móvil

Instrucciones de Funcionamiento y Manual de Partes

Numero de Modelo
PL2930

Capacidad
3,000 libras



Esto es un simbolo de alerta de seguridad. Se usa para avisar de peligros potenciales. Obedezca los mensajes de seguridad que indica este símbolo para prevenir danos personales o a la propiedad.

SFA Companies, Inc.
10939 N. Pomona Ave.
Kansas City, MO 64153
Phone (816)891-6390, Fax (816)891-6599

CONTENIDO

Parte	Descripción	Cant
A	Gato móvil	1
B	Palanca de Bombeo	1
C	Palanca de Transporte	1
D	Caso de Transporte	1

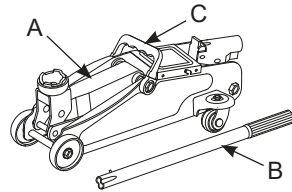


Figura 1 - Contenido

INFORMACION GENERAL DE SEGURIDAD

Guarde estas instrucciones. Para su seguridad, antes de usar entienda y siga la información adjunta con este gato. El dueño/operador de este gato debe tener un conocimiento del gato y de los procedimientos de seguridad antes de intentar usarlo. El dueño/operador, debe ser consciente de que el uso y reparación de este producto requiere una habilidad y conocimientos especiales. Instrucciones e información de seguridad deben ser transmitidas en la lengua materna del operador antes de autorizar el uso de este gato. Si existe alguna duda relacionada con la seguridad y el uso adecuado de este gato, retírelo del servicio inmediatamente.

Inspeccionar antes de cada uso. No lo use si está roto, doblado, rajado o si se notan partes dañadas (incluidas las etiquetas). Cualquier gato que de cualquier forma aparezca dañado, funcione anormalmente o le falten piezas, debe ser retirado de servicio inmediatamente. Si sospecha que el gato ha sido sometido a un golpe con una carga (una carga caída encima inesperadamente), descontinuar el uso inmediatamente hasta que el gato haya sido revisado en un centro autorizado de fábrica (póngase en contacto con el distribuidor o el fabricante para obtener la lista de Centros de Servicio Autorizados). Se recomienda que la inspección anual sea hecha por personal cualificado. El fabricante tiene a su disposición etiquetas y manuales del usuario. (ver pág.23)

DESCRIPCION DEL PRODUCTO

Este Gato Hidráulico de Piso, está designado para elevar un lado del vehículo, pero no para sostenerlo. Este Gato debe usarse con un par de soportes apropiados.

ESPECIFICACIONES

Artículo	Altura mínima	Altura máxima	Peso
PL2930	5-5/16" (135 mm)	11-3/4" (300 mm)	15.4 lbs (7 kg)

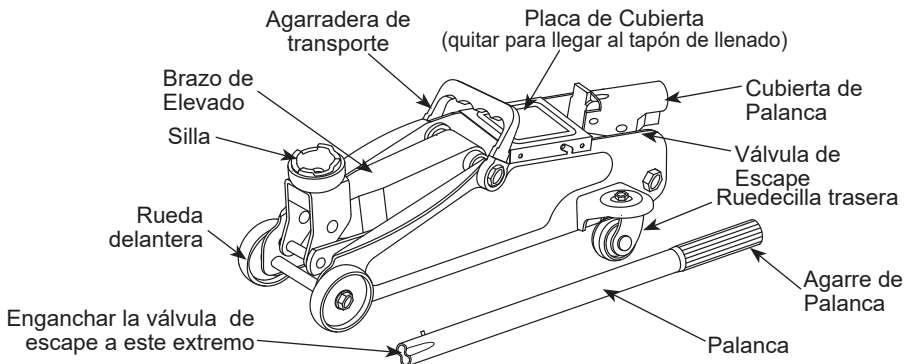


Figura 2 – Nomenclatura Típica del Gato de Piso

⚠️ ADVERTENCIA

- *Estudiar, entender y seguir todas las instrucciones, antes de poner a funcionar este aparato.*
- *No exceder la capacidad nominal.*
- *Usar solo en superficies duras y niveladas.*
- *Solo es instrumento de elevación. Inmediatamente después del elevado, soporte el vehículo de manera apropiada.*
- *No mueva o transporte el vehículo en el gato.*
- *Elevar solo en áreas del vehículo como especifica el fabricante.*
- *Este producto no debe ser alterado.*
- *El incumplimiento en seguir éstas indicaciones puede resultar en lesiones graves personales o a la propiedad.*

⚠️ ADVERTENCIA

La pintura de este producto contiene plomo, este químico es considerado, en el estado de California, como causante de cáncer, defectos de nacimiento y otros daños de reproducción. No ingerir partículas de pintura y mantener el producto fuera del alcance de los niños. Lavarse las manos después de cada uso.

PREPARACION

Antes de Usar

1. Verificar que el producto y la aplicación son compatibles. Si tiene preguntas sobre el uso del gato y su compatibilidad con su vehículo comuníquese con Pro-Lift Ayuda al Consumidor al (816) 891-6390
2. Antes de usar este producto, leer por completo el manual del usuario, familiarizarse con el producto, sus componentes y conozca los peligros asociados con su uso.
3. Para familiarizarse con el funcionamiento básico, use el lado marcado de la palanca suministrada para enganchar y dar vuelta a la válvula de escape:
 - a. Girar en dirección de las manecillas del reloj hasta sentir una resistencia firme al ir apretando, ésta es la posición de CERRADO de la válvula de escape, la posición se usa para elevar la carga.
 - b. Girar en dirección contraria al reloj, pero no más de ½ vuelta, desde la posición de cerrado, ésta es la posición de ABIERTO de la válvula de escape, la posición se usa para bajar la carga.
4. Con la silla completamente bajada localizar y quitar la placa de cubierta, después quitar el tapón de llenado de aceite. Insertar la palanca en su cubierta y bombee 6 u 8 veces completas. Comprobar el nivel de aceite. Un nivel de aceite apropiado varía desde cubrir justo el cilindro del ariete a 3/16" visto desde el orificio de llenado de aceite.
5. Asegúrese que el gato, antes de usarlo se desliza libremente y la bomba funciona suavemente. Reemplazar las partes y ensamblaje gastados o dañados con partes autorizadas solo por la fábrica. Comuníquese con el Servicio al Consumidor de Pro – Lift para obtener la lista de partes del producto o la lista de Centros Autorizados (vea lista de Partes de Reparación, página 23). Lubricar como se indica en la sección de Cuidado y Mantenimiento, pág.21.

PREPARACION (cont.)

Extracción/Ventilación de Aire Bloqueado

Con la válvula de escape en ABIERTO (3b arriba) y con la silla totalmente bajada localizar y quitar el tapón de llenado de aceite. Insertar la palanca suministrada, en su cubierta después bombee 6 u 8 veces. Esto ayudará a liberar cualquier aire a presión que haya quedado dentro del depósito. Un nivel de aceite apropiado varía desde cubrir justo el cilindro del ariete a 3/16" por encima, visto desde el orificio del tapón de llenado de aceite. Vuelva a instalar el tapón de llenado.

INSTRUCCIONES DE FUNCIONAMIENTO

⚠ ADVERTENCIA: *NO usar este aparato para elevar, nivelar, bajar, sostener, ajustar, o mover una casa, casa móvil, remolque de viaje, camper, o ningún otro tipo de estructura de ningún tamaño o configuración.*

NOTA: *Usar SOLO con vehículos cuyo punto de elevado es compatible con la silla de este gato. Incompatibilidad puede dañar la estructura del vehículo y/o gato.*

Elevación

1. Colocar el vehículo en aparcado con el freno de emergencia puesto y las ruedas calzadas con seguridad para prevenir cualquier movimiento inesperado del vehículo.
2. Localizar y cerrar la válvula de escape dando vuelta a la palanca en dirección de las manecillas del reloj hasta sentir una resistencia firme al seguir apretando. Centrar la silla del gato bajo el punto de elevado.
3. Insertar la palanca en su cubierta y bombee hasta tocar el punto de elevado. Verificar el punto de elevado correcto, después bombee la palanca hasta que la carga alcance la altura deseada.
4. Transferir la carga inmediatamente a los soportes de gato adecuados.

⚠ ADVERTENCIA : *Nunca trabaje encima, debajo o alrededor de una carga sostenida solo por un gato hidráulico.*

AVISO: *Usar SOLO la palanca suministrada con éste gato. La palanca está designada especialmente para ser compatible con la cubierta de la palanca y engrana adecuadamente con la válvula de escape. Si la palanca se daña, funciona anormalmente o no engrana con la válvula de escape, STOP, no usar el gato hasta adquirir un nuevo ensamblaje de palanca.*

Descenso

1. Subir la carga suficientemente alta hasta despejar los soportes del gato; después los retire cuidadosamente.
2. Girar lentamente la manija en el sentido del reloj pero no más de ½ vuelta. Si la carga no puede bajar:
 - a. Usar otro gato para elevar el vehículo lo suficientemente alto como para volver a instalar los soportes.
 - b. Retirar el gato defectuoso, después repita el proceso de bajada desde el paso número 1.
 - c. Utilizando el gato que funciona bajar el vehículo.

3. Después de sacar el gato bajo el vehículo, empuje la silla hacia abajo para evitar que el ariete quede expuesto al óxido y contaminación.

CUIDADO Y MANTENIMIENTO

AVISO: *Usar únicamente aceite para gato hidráulico de grado alto. NUNCA use líquido de frenos, aceite de turbina, fluido de transmisión, aceite de motor o glicerina. El fluido incorrecto puede causar daño al gato y la pérdida repentina de la carga. Recomendamos Mobil DTE 13M o el equivalente.*

Añadir Aceite

1. Con la silla completamente bajada, coloque el gato en posición vertical. Localizar y quitar el tapón de llenado de aceite.
2. El nivel apropiado de aceite varía desde cubrir justo el cilindro interior hasta 3/16" visto desde el orificio del tapón de llenado. Si el nivel es muy bajo, el gato no sube hasta la máxima altura establecida. Reinstale el tapón del aceite.

AVISO: *No sobrellene el depósito, Esto puede causar una serie de problemas de funcionamiento y derramar el aceite en el piso del taller (ver Solución de Problemas, en la pág. 22)*

Cambio de Aceite

Para mayor rendimiento y larga duración cambiar el fluido por completo por lo menos una vez al año.

1. Con la silla totalmente bajada quitar el tapón de llenado de aceite.
2. Colocar el gato de lado y drenar el líquido en un recipiente adecuado.

AVISO: *Deshechar el fluido hidráulico conforme a las normas locales.*

3. Llenar con aceite. Un nivel de aceite apropiado varía desde cubrir just el cilindro interior hasta 3/16" visto desde el orificio del tapón de llenado de aceite. Reinstalar el tapón.

Lubricación

Recubrir periódicamente con lubricante de aceite ligero los ejes y bisagras para evitar el óxido y facilitar que las ruedas se muevan libremente y la bomba funcione sin problemas.

Limpieza

Comprobar periódicamente que la bomba de pistón y el ariete no muestren señales de óxido o corrosión. Limpiar según sea necesario con un paño engrasado.

AVISO: *Nunca usar lija o material abrasivo en el ariete o en la bomba de pistón.*

Almacenamiento

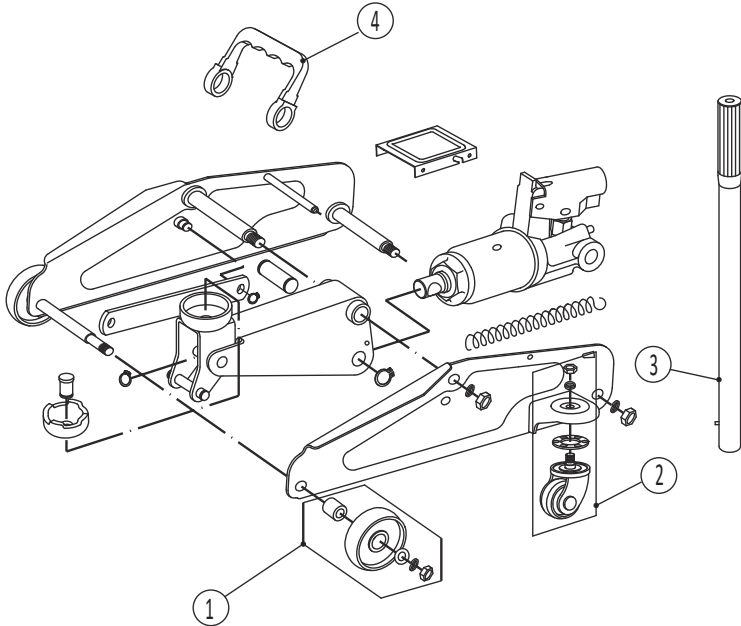
Guardar el gato con la bomba de pistón, el émbolo del ariete y la silla completamente bajados y la válvula de escape abierta , pero nunca más de 1/2 vuelta. Esto previene la oxidación y corrosión de las partes principales.

SOLUCION DE PROBLEMAS

Síntoma	Causas Posibles	Soluciones Correctivas
El gato no levanta la carga	<ul style="list-style-type: none"> • Válv. De escape no cierra herméticamente • La carga es demasiado pesada 	<ul style="list-style-type: none"> • Verif. que la válvula cierre hermet. Usar la palanca suministrada para enganchar la válv. de escape. Dar vuelta a la válv. hacia la derecha hasta sentir resistenci firme. • Usar un gato de mayor capacidad
El gato baja despacio y sin querer después del elevado	<ul style="list-style-type: none"> • Unidad Hidráulica no funciona 	<ul style="list-style-type: none"> • Descontinuar uso, comunicarse con Servicio al Cliente
Durante el descenso, el depósito gotea o la silla no baja a la altura indicada	<ul style="list-style-type: none"> • Depósito muy lleno • El émbolo/cilindro de ariete está deforme, enredado en el cilindro del ariete y/o en la tuerca de encima, que sería el resultado de una carga descentrada 	<ul style="list-style-type: none"> • Drenar fluido al nivel adecuado • Comunicarse con Servicio al Cliente
La silla del gato no queda abajo después de separarse de la carga (va subiendo)	<ul style="list-style-type: none"> • Aire atrapado en el sistema 	<ul style="list-style-type: none"> • Si la silla no hace contacto con la carga elevada, quitar el gato y seguir las instr. pág. 20 para extraer aire del sistema. Si hay un carga en contacto entre la silla y el vehíc. elevado STOP use otro gato para levantar el vehíc. lo suficiente para reinstalar los soportes. Quitar el gato estropeado y los sopor- tes. Usando un gato que funcione, bajar la carga y seguir las instrucciones pág 20 para extraer el aire del sistema.
Rendimiento pobre de elevación	<ul style="list-style-type: none"> • Fluido bajo de nivel. • Aire atrapado en el sistema. • Unidad hidráulica no funciona. 	<ul style="list-style-type: none"> • Verif. el nivel de fluido adecuado. • Con la silla totalmente bajada seguir las instr. para extraer el aire pág 20 • Comunicarse con Servicio al Cliente
No eleva totalmente	<ul style="list-style-type: none"> • Fluido bajo de nivel 	<ul style="list-style-type: none"> • Verifficar nivel de fluido adecuado

PARTES DE REPUESTO

No todos los componentes del gato son reemplazables, pero están en el dibujo para referencia del ensamblado. Cuando pida las partes provea número de modelo, número de serie y/o la descripción que se muestra abajo en ésta página. Para obtener la lista de precios actuales llame o escriba a: **Pro-Lift Atención al Cliente, 10939 N. Pomona Ave., Kansas City, MO 64153. Tel. (816) 891-6390, Fax (816) 891-6599**



Parte	Descripción	Ctd.
1	Conjunto de rueda delantera	2
2	Conjunto de la rueda trasera	2
3	Mango de la bomba	1
4	Asa de transporte	1

Figura 3 – Ilustración de las Partes de Repuesto

GARANTÍA LIMITADA DE UN AÑO

Por el período de un (1) año desde la fecha de compra, **SFA Companies, Inc.** reparará o reemplazará, a su discreción, sin costo alguno, cualquier producto que presente fallas debido a defectos de materiales o mano de obra bajo condiciones normales de uso. Esta garantía limitada es un recurso exclusivo del consumidor.

El cumplimiento de toda obligación en virtud de esta garantía puede obtenerse con el envío del producto en garantía, con flete abonado en origen, a **SFA Companies, Inc. Warranty Service Department**, 10939 N. Pomona Ave., Kansas City, MO 64153.

Salvo que tales limitaciones y exclusiones estén específicamente prohibidas por las leyes vigentes, (1) EL ÚNICO Y EXCLUSIVO RECURSO DEL CONSUMIDOR SERÁ LA REPARACIÓN O EL REEMPLAZO DE LOS PRODUCTOS DEFECTUOSOS, COMO SE DETALLA ARRIBA. (2) **SFA Companies, Inc.** NO SERÁ RESPONSABLE, EN NINGÚN CASO, POR DAÑOS O PÉRDIDAS EMERGENTES O INCIDENTALES. (3) TODA GARANTÍA IMPLÍCITA, LO QUE INCLUYE, ENTRE OTRAS, LAS GARANTÍAS IMPLÍCITAS DE COMERCIALIZACIÓN Y APTITUD PARA FINES ESPECÍFICOS, ESTARÁ LIMITADA A UN AÑO; DE OTRO MODO, LA REPARACIÓN, EL REEMPLAZO O LA DEVOLUCIÓN DE DINERO CONFORME A ESTA GARANTÍA LIMITADA EXPRESA SERÁ EL EXCLUSIVO RECURSO DEL CONSUMIDOR, Y SE OFRECE EN LUGAR DE CUALQUIER OTRA GARANTÍA, EXPRESA O IMPLÍCITA. (4) CUALQUIER MODIFICACIÓN, ALTERACIÓN, USO INDEBIDO, SERVICIO NO AUTORIZADO O DISEÑO ORNAMENTAL ANULARÁ ESTA GARANTÍA Y NO ESTARÁ CUBIERTO POR ESTA GARANTÍA.

Algunos estados no permiten la limitación de la duración de las garantías implícitas, por lo que las limitaciones anteriores pueden no aplicarse en su caso. Algunos estados no permiten excluir o limitar los daños emergentes o incidentales, por lo tanto esta limitación o exclusión puede no ser aplicable en su caso. Esta garantía le otorga derechos legales específicos. Usted puede tener además otros derechos que varían de un estado a otro.