

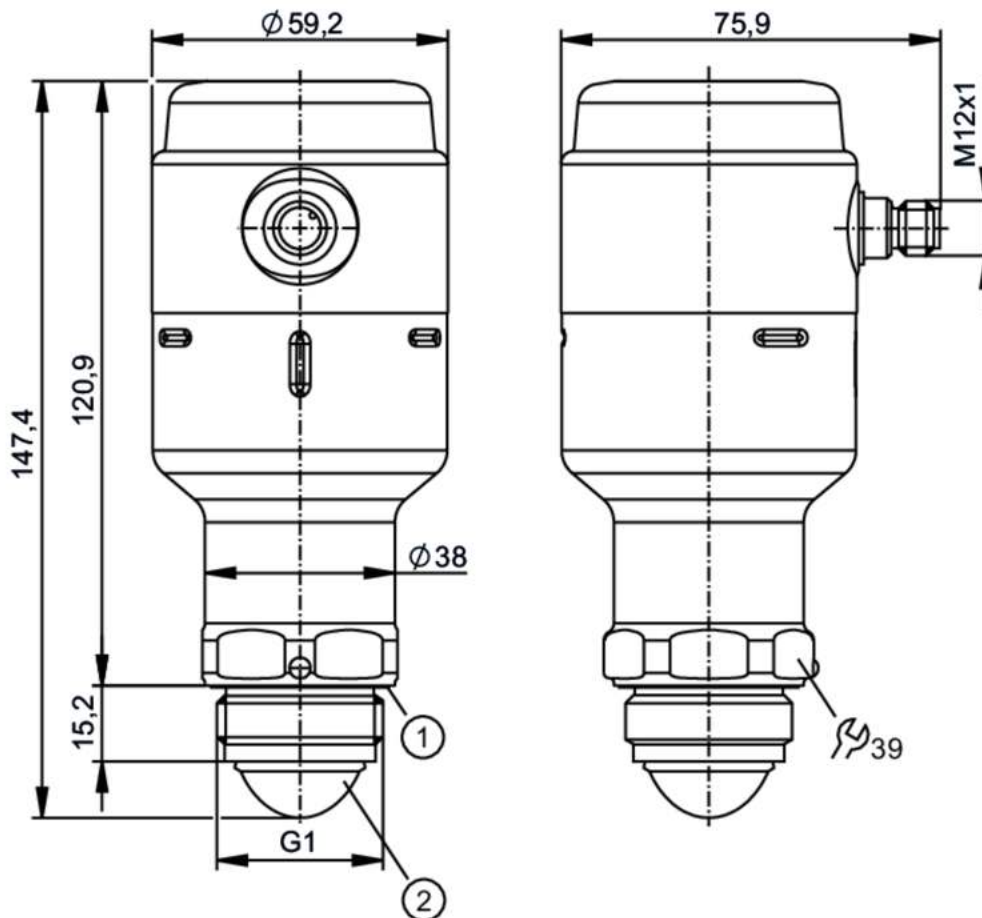
LW2720



Continuous level sensor (non-contact, radar)

NON-CONTACT LEVEL TRANSMITTER

An IO-Link master and a parameter setting software (e.g. moneo or LR DEVICE) are required for initial set-up.



- 1 Sealing
- 2 antenna



Product characteristics

Number of inputs and outputs	Number of digital outputs: 1; Number of analogue outputs: 1
Process connection	G 1 Aseptoflex Vario

Application

Special feature	Gold-plated contacts
Dielectric constant of the medium	≥ 2
Recommended media	water; hydrous media
Medium temperature [°C]	-40...150; (see diagram:)
Maximum speed of the change of level [mm/s]	200
Pressure rating [bar]	8
Note on pressure rating	0 bar at medium temperature < - 20 C
Vacuum resistance [mbar]	-1000
MAWP (for applications according to CRN) [bar]	8



Continuous level sensor (non-contact, radar)

NON-CONTACT LEVEL TRANSMITTER

Radio approval for	South Korea; Vereinigtes Königreich; EU/RED; Australia; USA; Canada; New Zealand
Note on radio approval	The list of countries applying the European Radio Equipment Directive 2014/53/EU (RED) can be found under "Downloads".
Electrical data	
Operating voltage [V]	18...30 DC
Current consumption [mA]	< 80
Protection class	III
Reverse polarity protection	yes
Power-on delay time [s]	< 15
Measuring principle	FMCW (80 GHz technology); frequency range 77 - 81 Hz
Inputs / outputs	
Number of inputs and outputs	Number of digital outputs: 1; Number of analogue outputs: 1
Outputs	
Total number of outputs	2
Output signal	switching signal; analogue signal; IO-Link
Electrical design	PNP/NPN
Number of digital outputs	1; (2 parameterisable)
Output function	normally open / normally closed; (parameterisable)
Max. voltage drop switching output DC [V]	2.5
Permanent current rating of switching output DC [mA]	50
Number of analogue outputs	1
Analogue current output [mA]	4...20, invertible; (scalable)
Max. load [Ω]	$43,5 * (U_b - 18) + 600 \Omega$
Short-circuit protection	yes
Type of short-circuit protection	pulsed
Overload protection	yes
Measuring/setting range	
Measuring range [m]	10; (see diagram:)
Sampling rate [Hz]	> 3
Accuracy / deviations	
Accuracy	± 2 mm
Resolution [mm]	1
Zero signal (current) [mA]	3.8
Full signal (current) [mA]	20.5
Temperature drift per 10 K	± 1 mm
Response times	
Response time [ms]	330
Interfaces	
Communication interface	IO-Link
Transmission type	COM2 (38,4 kBaud)
IO-Link revision	1.1

LW2720



Continuous level sensor (non-contact, radar)

NON-CONTACT LEVEL TRANSMITTER

SDCI standard	IEC 61131-9	
Profiles	Smart Sensor ED2: SSCs (0x8001), Measuring Sensor (0x000A)	
SIO mode	yes	
Required master port type	A	
Process data analogue	1	
Process data binary	2	
Min. process cycle time [ms]	6	
Supported DeviceIDs	Type of operation	DeviceID
	Default	0x00052C

Operating conditions		
Ambient temperature [°C]	-40...80	
Note on ambient temperature	see diagram:	
Storage temperature [°C]	-40...90	
Protection	IP 68; IP 69K	

Tests / approvals		
EMC	DIN EN 61326-1	group 1: Class A (IO-Link active); B (IO-Link not active, with analogue and switching outputs)
Shock resistance	DIN EN 60068-2-27	50 g (11 ms) / 20 g (6 ms)
Vibration resistance	IEC 61298-3	2 g (10...1000 Hz)
MTTF [years]	330	

Mechanical data		
Weight [g]	727.15	
Materials	stainless steel (1.4404 / 316L); PA; FKM; FVMQ	
Materials (wetted parts)	PTFE; EPDM	
Process connection	G 1 Aseptoflex Vario	
Surface characteristics Ra/Rz of the wetted parts	< 0.76	

Remarks		
Notes	An IO-Link master and a parameter setting software (e.g. moneo or LR DEVICE) are required for initial set-up.	
Pack quantity	1 pcs.	

Electrical connection

Connector: 1 x M12; coding: A; Contacts: gold-plated



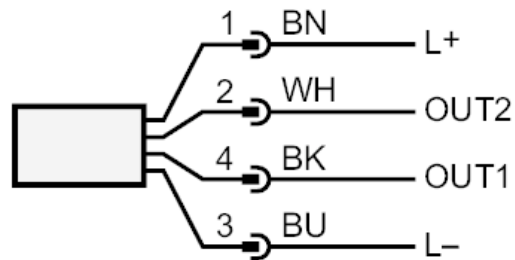
LW2720



Continuous level sensor (non-contact, radar)

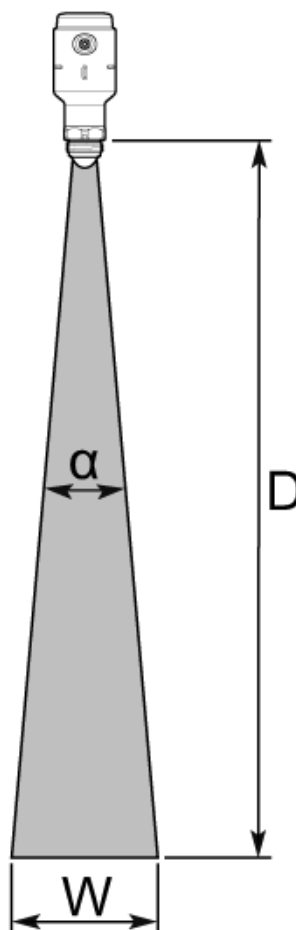
NON-CONTACT LEVEL TRANSMITTER

Connection



OUT1: switching output IO-Link
OUT2: switching output analogue output
colours to DIN EN 60947-5-2
Core colours :
BK = black
BN = brown
BU = blue
WH = white

Diagrams and graphs



Angle of radiation (α): 10°

distance (D) 2 m - Beam width (W) 0.4 m

distance (D) 4 m - Beam width (W) 0.7 m

distance (D) 6 m - Beam width (W) 1.1 m

distance (D) 8 m - Beam width (W) 1.4 m

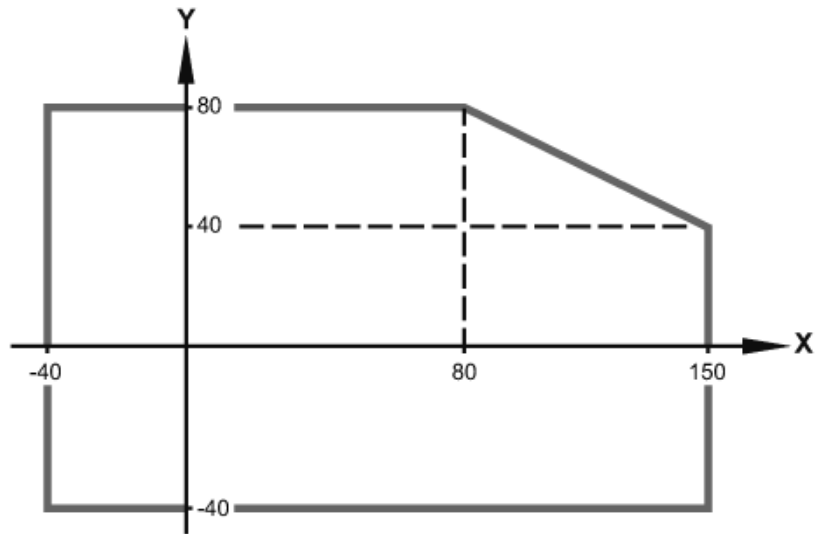
distance (D) 10 m - Beam width (W) 1.8 m

LW2720



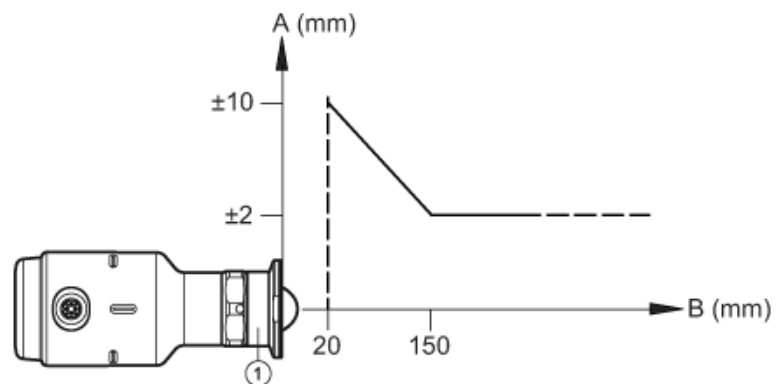
Continuous level sensor (non-contact, radar)

NON-CONTACT LEVEL TRANSMITTER



X process temperature °C

Y Ambient temperature °C



1 Adapter example E33208

A accuracy

B distance