



AirPrime XM1100

Product Technical Specification



SIERRA
WIRELESS®

41111067
Rev 7.0

Important Notice

Due to the nature of wireless communications, transmission and reception of data can never be guaranteed. Data may be delayed, corrupted (i.e., have errors) or be totally lost. Although significant delays or losses of data are rare when wireless devices such as the Sierra Wireless modem are used in a normal manner with a well-constructed network, the Sierra Wireless modem should not be used in situations where failure to transmit or receive data could result in damage of any kind to the user or any other party, including but not limited to personal injury, death, or loss of property. Sierra Wireless accepts no responsibility for damages of any kind resulting from delays or errors in data transmitted or received using the Sierra Wireless modem, or for failure of the Sierra Wireless modem to transmit or receive such data.

Safety and Hazards

Do not operate the Sierra Wireless modem in areas where blasting is in progress, where explosive atmospheres may be present, near medical equipment, near life support equipment, or any equipment which may be susceptible to any form of radio interference. In such areas, the Sierra Wireless modem **MUST BE POWERED OFF**. The Sierra Wireless modem can transmit signals that could interfere with this equipment.

Do not operate the Sierra Wireless modem in any aircraft, whether the aircraft is on the ground or in flight. In aircraft, the Sierra Wireless modem **MUST BE POWERED OFF**. When operating, the Sierra Wireless modem can transmit signals that could interfere with various onboard systems.

Note: Some airlines may permit the use of cellular phones while the aircraft is on the ground and the door is open. Sierra Wireless modems may be used at this time.

The driver or operator of any vehicle should not operate the Sierra Wireless modem while in control of a vehicle. Doing so will detract from the driver or operator's control and operation of that vehicle. In some states and provinces, operating such communications devices while in control of a vehicle is an offence.

Limitation of Liability

The information in this manual is subject to change without notice and does not represent a commitment on the part of Sierra Wireless. SIERRA WIRELESS AND ITS AFFILIATES SPECIFICALLY DISCLAIM LIABILITY FOR ANY AND ALL DIRECT, INDIRECT, SPECIAL, GENERAL, INCIDENTAL, CONSEQUENTIAL, PUNITIVE OR EXEMPLARY DAMAGES INCLUDING, BUT NOT LIMITED TO, LOSS OF PROFITS OR REVENUE OR ANTICIPATED PROFITS OR REVENUE ARISING OUT OF THE USE OR INABILITY TO USE ANY SIERRA WIRELESS PRODUCT, EVEN IF SIERRA WIRELESS AND/OR ITS AFFILIATES HAS BEEN ADVISED OF THE POSSIBILITY OF SUCH DAMAGES OR THEY ARE FORESEEABLE OR FOR CLAIMS BY ANY THIRD PARTY.

Notwithstanding the foregoing, in no event shall Sierra Wireless and/or its affiliates aggregate liability arising under or in connection with the Sierra Wireless product, regardless of the number of events, occurrences, or claims giving rise to liability, be in excess of the price paid by the purchaser for the Sierra Wireless product.

Patents

This product may contain technology developed by or for Sierra Wireless Inc. This product includes technology licensed from QUALCOMM®. This product is manufactured or sold by Sierra Wireless Inc. or its affiliates under one or more patents licensed from MMP Portfolio Licensing.

Copyright

© 2019 Sierra Wireless. All rights reserved.

Trademarks

Sierra Wireless®, AirPrime®, AirLink®, AirVantage® and the Sierra Wireless logo are registered trademarks of Sierra Wireless.

Windows® and Windows Vista® are registered trademarks of Microsoft Corporation.

Macintosh® and Mac OS X® are registered trademarks of Apple Inc., registered in the U.S. and other countries.

QUALCOMM® is a registered trademark of QUALCOMM Incorporated. Used under license.

Other trademarks are the property of their respective owners.

Contact Information

Sales information and technical support, including warranty and returns	Web: sierrawireless.com/company/contact-us/ Global toll-free number: 1-877-687-7795 6:00 am to 5:00 pm PST
Corporate and product information	Web: sierrawireless.com

Revision History

Revision number	Release date	Changes
1	June 23, 2017	Initial revision in SWI template
2	January 29, 2018	Updates throughout
3.0	April 27, 2018	Updated: <ul style="list-style-type: none"> • Pin Assignment on page 13 • Figure 5-3 on page 27
3.1	May 07, 2018	Fixed typo in Drying on page 29
4.0	May 28, 2018	Updated Reference Design on page 24
5.0	October 03, 2018	Updated: <ul style="list-style-type: none"> • Specifications on page 12 • Table 3-4 on page 20

Revision number	Release date	Changes
6.0	February 12, 2019	Updated Figure 2-2 on page 12 Deleted: <ul style="list-style-type: none">• section 5 Packing and Handling• section 6 Reflow Soldering Temperature Profile
7.0	July 17, 2019	Changed Update Rate in: <ul style="list-style-type: none">• Product Highlights and Features on page 8• Table 2-4 on page 15

>> Contents

Function Description	8
Overview	8
Target Applications	8
Product Highlights and Features	8
System Block Diagram	9
Multi-tone Active Interference Canceller	9
1PPS	9
AGPS for Faster TTFF (HOST)	10
EASY™	10
PPS sync NMEA	11
Specifications	12
Mechanical Dimensions	12
PCB Copper Pad Definition	12
Pin Configuration	13
Pin Assignment	13
Description of I/O Pins	14
Specifications	15
Absolute Maximum Ratings	16
Operating Conditions	17
Protocols	18
NMEA Output Sentences	18
GGA—Time, Position and Related Data of Navigation Fix	19
GSA—GPS DOP and Active Satellites	20
GSV— Satellites in View	21
RMC—Recommended Minimum Navigation Information	22
VTG—Course and Speed information Relating to the Ground	23
MTK NMEA Command Protocols	23
Reference Design	24
Reference Schematic Design for Using an Active Antenna	24
Reference Schematic Design for Using a Patch (Passive) Antenna	25

List of Figures

Figure 1-1: XM1100	8
Figure 1-2: System Block Diagram	9
Figure 1-3: Operation of EASY™	10
Figure 1-4: PPS sync NMEA	11
Figure 2-1: Mechanical Dimensions.	12
Figure 2-2: PCB Copper Pad	12
Figure 2-3: Pin Configuration	13
Figure 4-1: Active Antenna Application	24
Figure 4-2: Patch Antenna Application	25

List of Tables

Table 2-1: Pin Assignment.	13
Table 2-2: Pin13 Baud Rates.	15
Table 2-3: Pin19 NRESET Levels	15
Table 2-4: Specification Data.	15
Table 2-5: Maximum Ranges.	16
Table 2-6: Operating Conditions	17
Table 3-1: Position Fix Indicator	18
Table 3-2: GGA Data Format.	19
Table 3-3: Position Fix Indicator	19
Table 3-4: GSA Data Format	20
Table 3-5: Mode 1	20
Table 3-6: Mode 2	20
Table 3-7: GSV Data Format	21
Table 3-8: RMC Data Format.	22
Table 3-9: VTG Data Format	23

>> 1: Function Description

Overview

The XM1100 is a GNSS receiver that is capable of tracking GPS, SBAS and QZSS satellite systems. The module provides an external antenna interface that supports both active and passive GNSS antennas.

XM1100 is one of the smallest GPS modules on the market with an ultra-compact size of 9.0 x 9.5 x 2.1 mm in a QFN Package. The module supports UART for communication as well as a dedicated RTCM input.

The module comes integrated with SMPS (switched-mode power supply) which allows for the lowest power consumption while offering optimum performance.

The XM1100 is based on the latest MT3337(E) chipset and supports all standard GNSS features including QZSS, Anti-Jamming, EASYTM, PPS sync NMEA and AGPS.

Target Applications

- Handheld Devices
- M2M applications
- Asset management
- Surveillance systems
- Wearable products



Figure 1-1: XM1100

Product Highlights and Features

- 22 tracking/ 66 acquisition-channel GPS receiver
- Supports QZSS
- Sensitivity: -165dBm
- Update Rate: 1Hz (default), up to 10Hz
- 12 multi-tone active interference canceller
- High accuracy 1-PPS timing (± 20 ns RMS) and the pulse width is 100ms
- AGPS Support for Fast TTFF (Host Aiding EPO™)
- EASY™: Self-Generated Orbit Prediction for instant positioning fix
- PPS sync NMEA

- Consumption current(@3.3V):
- Acquisition: 19mA/ 20mA / 21mA (min / typical / max)
- Tracking: 18mA / 19mA / 24mA (min / typical / max)
- RoHS compliant

System Block Diagram

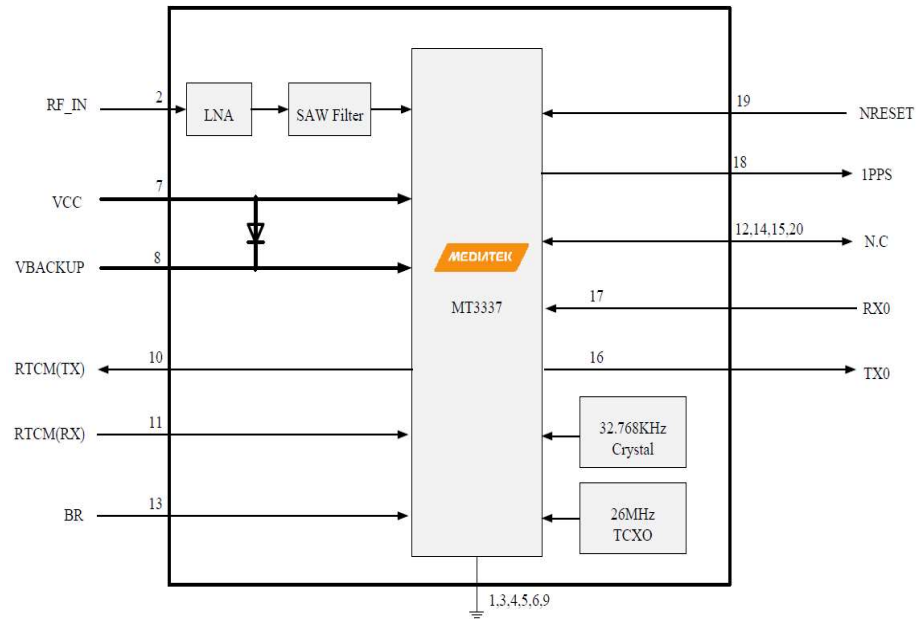


Figure 1-2: System Block Diagram

Multi-tone Active Interference Canceller

Many GNSS systems today also integrate various other RF systems such as Wi-Fi, Cellular and Bluetooth. These other radios can often generate RF harmonics which can influence GPS reception and performance.

The embedded Multi-tone Active Interference Canceller (MTAIC) also known as Anti-Jamming, can reject such unwanted RF harmonics from nearby on-board active components. Anti-Jamming can improve the capacity of GPS reception, eliminating the need for additional hardware engineering to compensate for these interferences. This built-in feature can cancel up to 12 independent channels of continuous interference waves.

1PPS

The XM1100 generates a-pulse-per-second signal (1 PPS). It is an electrical signal which precisely indicates the start of a second with the accuracy of $\pm 20\text{ns}$ RMS (Root Mean Square). The PPS signal is provided through a designated output pin for many external applications.

AGPS for Faster TTFF (HOST)

The AGPS (HOST EPO) provides predicted EPO (Extended Prediction Orbit) data to speed up TTFF (Time To First Fix). This feature is useful when satellite signal is weak. AGPS data can be downloaded from an FTP server via the Internet or through a wireless network.

The GPS engine of the module will use EPO data to assist with position calculation when navigation information from satellites is insufficient. For more details on EPO, please refer to our AGPS application note.

EASY™

EASY™ (Embedded Assist System) is for quick positioning/TTFF when information received from the satellites is insufficient (e.g. in a weak signal). When EASY™ is enabled, the GPS engine will automatically calculate and then predict single ephemeris up to three days. The predicted information will be saved into the memory and the GPS engine will then use the saved information for later positioning. Backup power (VBACKUP) is required for EASY™.

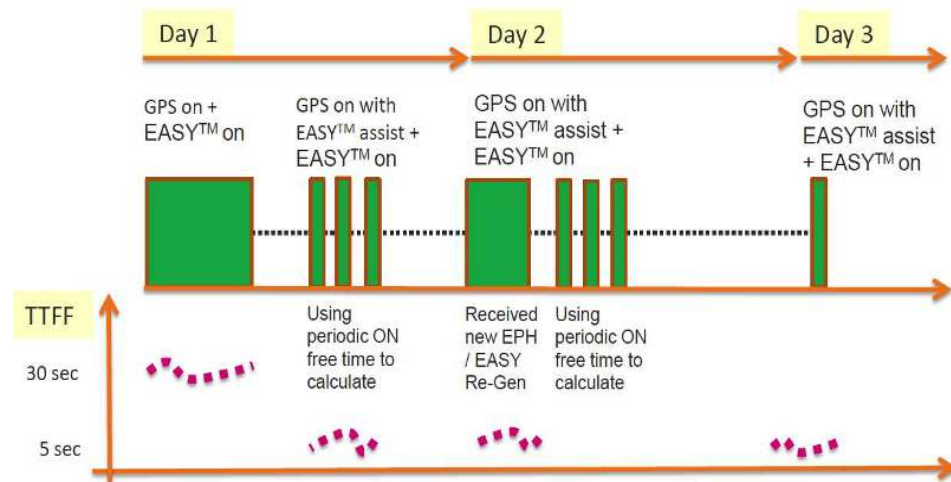


Figure 1-3: Operation of EASY™

Figure 1-3 shows that when the module obtains information from GPS satellites, the GPS engine will start to pre-calculate and predict orbits automatically for the next three days.

PPS sync NMEA

Pulse-Per-Second (PPS) VS. NMEA can be used in the time service. The latency range of the beginning of UART Tx is between 170ms~180 ms at the MT3337(E) platform and behind the rising edge of PPS.

The PPS sync NMEA only supports 1Hz NMEA output and baud rate at 115200~14400 bps. For baud rates at 9600 bps and 4800 bps, only the RMC NMEA sentence is supported. If the NMEA sentence outputs are supported even at the low baud rate, per-second transmission may exceed the threshold of one second.

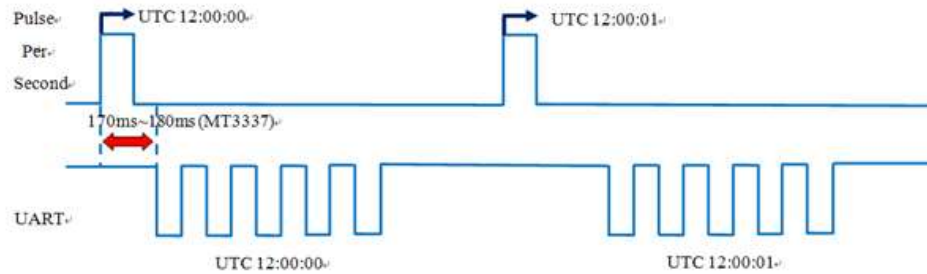


Figure 1-4: PPS sync NMEA

>> 2: Specifications

Mechanical Dimensions

Dimension: (Unit: mm, Maximum height: 2.3 mm)

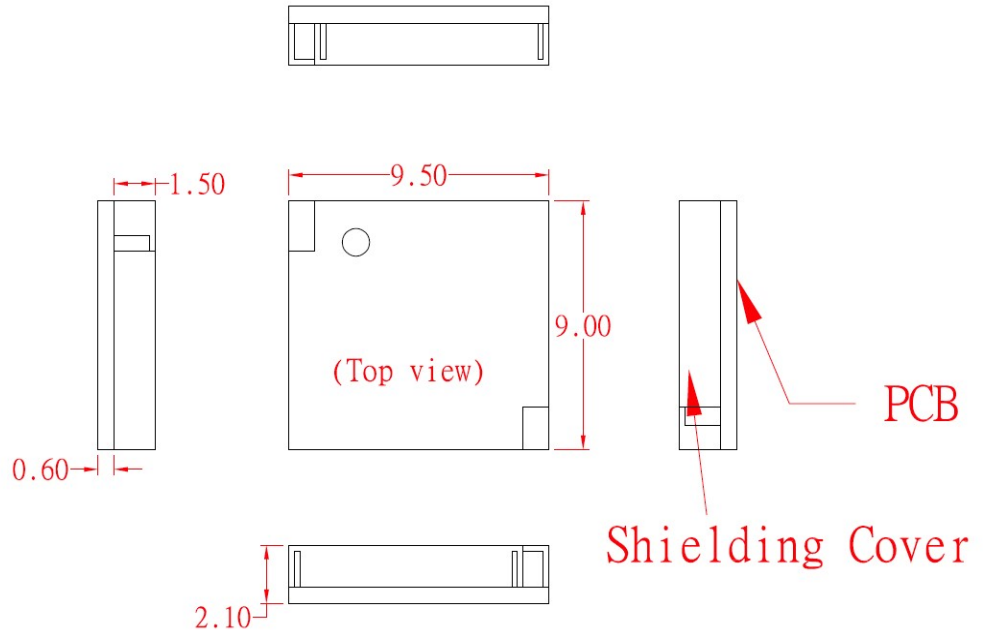


Figure 2-1: Mechanical Dimensions

PCB Copper Pad Definition

(Unit: mm, Tolerance: ± 0.1 mm)

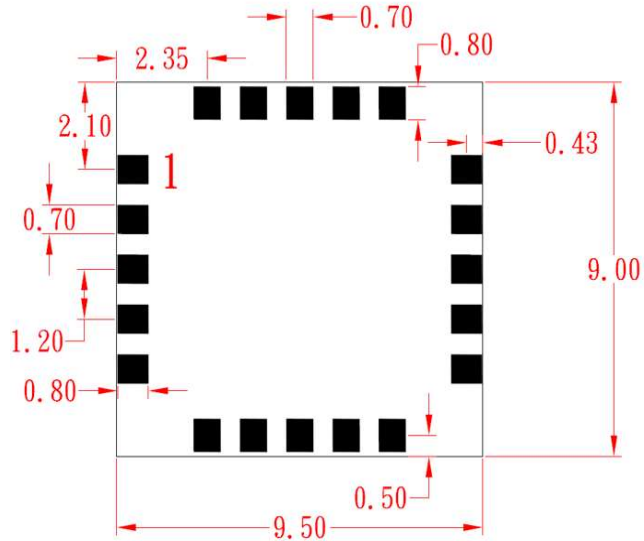


Figure 2-2: PCB Copper Pad

Pin Configuration

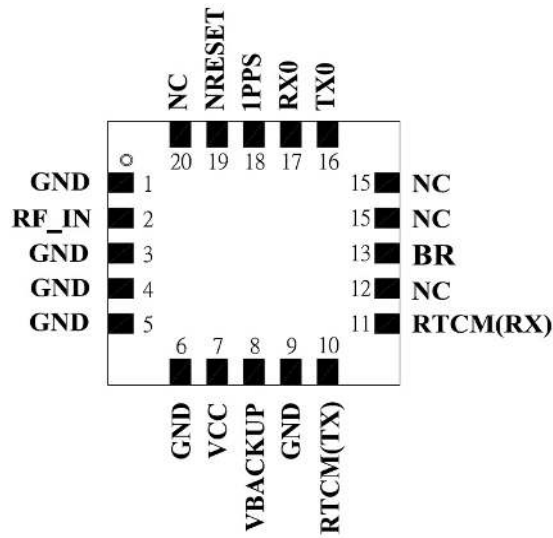


Figure 2-3: Pin Configuration

Pin Assignment

Table 2-1: Pin Assignment

Pin	Name	I/O	Description and Note	Active Low / High	IO Voltage Domain	Reset State ^a	Recommendation for Unused Pad
1	GND	P	Ground		0V		Mandatory connection
2	RF_IN	I	GPS RF signal input				Mandatory connection
3	GND	P	Ground		0V		Mandatory connection
4	GND	P	Ground		0V		Mandatory connection
5	GND	P	Ground		0V		Mandatory connection
6	GND	P	Ground		0V		Mandatory connection
7	VCC	PI	Main DC power input		3.3V		Mandatory connection
8	VBACKUP	PI	Backup power input for RTC and navigation data keep		3.0V		Connection to C=1μF
9	GND	P	Ground		0V		Mandatory connection
10	RTCM (TX)	O	Serial Data Input (TTL) for RTCM data ACK (Acknowledge Character)		2.8V	O, PU	Left open
11	RTCM (RX)	I	Serial Data Input (TTL) for RTCM data streaming		2.8V	I, PU	Left open
12	NC	--	None Connect				Left open

Table 2-1: Pin Assignment (Continued)

Pin	Name	I/O	Description and Note	Active Low / High	IO Voltage Domain	Reset State ^a	Recommendation for Unused Pad
13	BR	I	Baud rate selection needs to match BR		2.8V	I, PU	Left open
14	NC	--	No Connect				Left open
15	NC	--	No Connect				Left open
16	TX0	O	Serial Data Output for NMEA output (TTL)		2.8V	O, PU	Mandatory connection
17	RX0	I	Serial Data Input for Firmware update (TTL)		2.8V	I, PU	Mandatory connection
18	1PPS	O	1PPS Time Mark Output		2.8V	O, PU	Left open
19	NRESET	I	Reset Input	L	2.8V	I, PU	Left open
20	NC	--	None Connect				Left open

a. I = Input, O = Output, PU = Pull up, PD = Pull Down, H = High, T = High Impedance

Description of I/O Pins

- **Pin1:** GND (Ground)
- **Pin2:** RF_IN
 - The GPS RF signal input which can be connected to an active or passive antenna.
- **Pin3:** GND (Ground)
- **Pin4:** GND (Ground)
- **Pin5:** GND (Ground)
- **Pin6:** GND (Ground)
- **Pin7:** VCC
 - Main DC power supply (3.0V to 4.3V; typical: 3.3V). The ripple must be controlled under 50mVpp.
- **Pin8:** VBACKUP
 - This connects to the backup power of the GPS module. A power source (such as a battery) connected to this pin will help the GPS chipset in keeping its internal RTC running when the main power source is turned off. The voltage ranges from 2.0V~4.3V (typical: 3.0V).
 - This pin is also available when VCC is connected to a power supply.
 - VBACKUP functions with a shottky diode and limited-current resistor.
 - If VBACKUP power is not reserved, the GPS module will perform a lengthy cold start each time it is powered on, as previous satellite information is not retained and needs to be re-transmitted.
 - If not used, keeps this pin floating.
- **Pin9:** GND (Ground)
- **Pin10:** RTCM (TX). Acknowledges RTCM message when connected. If not used, keep this pin floating.

- **Pin11:** RTCM (RX). Acknowledges RTCM function when connected. If not used, keep this pin floating.
- **Pin12:** NC (None Connect)
- **Pin13:** BR (Baud Rate selection is configurable through BR with a combination of a grounded 10K Ω resistor).

Table 2-2: Pin13 Baud Rates

Baud Rate	BR (Pin13)
9600	No Connect (default)
115200	10K Ω

- **Pin14:** NC (No Connect)
- **Pin15:** NC (No Connect)
- **Pin16:** TX0 (UART 0 transmitter; outputs GPS information for application)
- **Pin17:** RX0 (UART 0 receiver; to receive commands from host)
- **Pin18:** 1PPS.
 - This pin provides one pulse-per-second signal output. If not used, keeps this pin floating.
- **Pin19:** NRESET
 - Active on Low; it causes the module to reset. If not used, keep floating.

Table 2-3: Pin19 NRESET Levels

Symbol	Min (V)	Typ (V)	Max (V)
Low	0	0	1.5
High	2	2.8	3.3

- **Pin20:** NC (No Connect)

Specifications

Table 2-4: Specification Data

Description	
GPS Solution	MTK MT3337(E)
Frequency	GPS L1, 1575.42MHz
Sensitivity	Acquisition: -148dBm, cold start Reacquisition: -163dBm, Hot start Tracking: -165dBm
SV Number	#1~32
TTFB (GPS, No. of SVs>4, C/N>40dB, PDop<1.5)	Hot start: 1 second typical Warm start: 24 seconds typical Cold start: 28 seconds typical, 60 seconds Max
Position Accuracy	3m (50% CEP)
Velocity Accuracy	0.1m/s

Table 2-4: Specification Data (Continued)

Description	
Timing Accuracy (1PPS Output)	±20ns RMS within 100ms in one pulse
Altitude	10,000m maximum (Normal mode: Car/ Pedestrian/ Aviation) 80,000m maximum (Balloon mode)
Velocity	Maximum 515m/s (1000 knots)
Acceleration	Maximum 4G
Update Rate	1Hz (default), maximum 10Hz
Baud Rate	9600 bps (default), 115200 bps
Power Supply	VCC: 3V to 4.3V; VBACKUP: 2.0V to 4.3V
Current Consumption @ 3.3V, 1Hz Update Rate	Acquisition: 19mA / 20mA / 21mA (min / typical / max) Tracking: 18mA / 19mA / 24mA (min / typical / max)
Power Saving (Periodic)	Standby mode: 420uA(TYP)
NRESET Current @ 3.3V	8mA (TYP)
Backup Power Consumption @ 3.3V	7µA (TYP)
Working Temperature	-40 °C to +85 °C
Dimension	9.0x9.5 x 2.1 mm, SMD
Weight	0.4g

Absolute Maximum Ratings

The maximum power supply voltage is 4.3 VDC.

Table 2-5: Maximum Ranges

	Symbol	Min	Typ	Max	Unit
Power Supply Voltage	VCC	3.0	3.3	4.3	V
Backup Battery Voltage	VBACKUP	2.0	3.0	4.3	V

Operating Conditions

Table 2-6: Operating Conditions

	Condition	Min	Typ	Max	Unit
Operation Supply Ripple Voltage	-	-	-	50	mVpp
RX0 TTL H Level	-	2.0	-	3.3	V
RX0 TTL L Level	-	0	-	0.8	V
TX0 TTL H Level	-	2.4	-	3.3	V
TX0 TTL L Level	-	0	-	0.4	V

>> 3: Protocols

NMEA Output Sentences

Table 3-1 lists all NMEA output sentences specifically developed and defined by MTK for MTK's products.

Table 3-1: Position Fix Indicator

Option	Description
GGA	Time, position and fix type data.
GSA	GPS receiver operating mode, active satellites used in the position solution and DOP values.
GSV	The number of GPS satellites in view, satellite ID numbers, elevation, azimuth, and SNR values.
RMC	Time, date, position, course and speed data. The recommended minimum navigation information.
VTG	Course and speed information relative to the ground.

GGA—Time, Position and Related Data of Navigation Fix

Table 3-2 explains the sentence below:

```
$GPGGA,064951.000,2307.1256,N,12016.4438,E,1,8,0.95,39.9,M,17.8,M,*65
```

Table 3-2: GGA Data Format

Name	Example	Units	Description
Message ID	\$GPGGA		GGA protocol header
UTC Time	064951.000		hhmmss.sss
Latitude	2307.1256		ddmm.mmmm
N/S Indicator	N		N North or S South
Longitude	12016.4438		dddmm.mmmm
E/W Indicator	E		E East or W West
Position Fix Indicator	1		See Table 3-3
Satellites Used	8		
HDOP	0.95		Horizontal Dilution of Precision
MSL Altitude	39.9	meter	Antenna Altitude above/below mean-sea-level
Units	M	meter	Units of antenna altitude
Geoidal Separation	17.8	meter	
Units	M	meter	Units of geoids separation
Age of Diff. Corr.			Null fields when DGPS is not used
Checksum	*65		
<CR> <LF>			End of message termination

Table 3-3: Position Fix Indicator

Value	Description
0	Fix not available
1	GPS Fix
2	Differential GPS Fix

GSA—GPS DOP and Active Satellites

Table 3-4 explains the example NMEA sentence below:

\$GPGSA,A,3,29,21,26,15,18,09,06,10,,,,,2.32,0.95,2.11*00

Table 3-4: GSA Data Format

Name	Example	Units	Description
Message ID	\$GPGSA		GSA protocol header
Mode 1	A		See Table 3-5
Mode 2	3		See Table 3-6
Satellite Used ^a	29		SV on Channel 1
Satellite Used	21		SV on Channel 2
....
Satellite Used			SV on Channel 12
PDOP	2.32		Position Dilution of Precision
HDOP	0.95		Horizontal Dilution of Precision
VDOP	2.11		Vertical Dilution of Precision
Checksum	*00		
<CR> <LF>			End of message termination

a. GPS SV No. #01~#32

Table 3-5: Mode 1

Value	Description
M	Manual—forced to operate in 2D or 3D mode
A	2D Automatic—allowing to switch to 2D/3D mode automatically

Table 3-6: Mode 2

Value	Description
1	Fix not available
2	2D (<4 SVs used)
3	3D (>=4 SVs used)

GSV— Satellites in View

Table 3-7 explains the example NMEA sentence below:

```
$GPGSV,4,1,15,29,36,029,42,21,46,314,43,26,44,020,43,15,21,321,39*7D
```

```
$GPGSV,4,2,15,18,26,314,40,09,57,170,44,06,20,229,37,10,26,084,37*77
```

```
$GPGSV,4,3,15,07,,,,,26*73
```

Table 3-7: GSV Data Format

Name	Example	Units	Description
Message ID	\$GPGSV		GSV protocol header
Number of Messages	4		(Depending on the number of satellites tracked, multiple messages of GSV data may be required) ^a
Message Number	1		
Satellites in View	15		
Satellite ID	29		Channel 1 (Range 1 to 32)
Elevation	36	degrees	Channel 1 (Maximum 90)
Azimuth	029	degrees	Channel 1 (True, Range 0 to 359)
SNR (C/No)	42	dB-Hz	Range 0 to 99, (null when not tracking)
....
Satellite ID	15		Channel 4 (Range 1 to 32)
Elevation	21	degrees	Channel 4 (Maximum 90)
Azimuth	321	degrees	Channel 4 (True, Range 0 to 359)
SNR (C/No)	39	dB-Hz	Range 0 to 99, (null when not tracking)
Checksum	*7D		
<CR> <LF>			End of message termination

a. One GSV sentence can only receive up to 4 SVs

RMC—Recommended Minimum Navigation Information

Table 3-8 explains the example sentence below:

```
$GPRMC,064951.000,A,2307.1256,N,12016.4438,E,0.03,165.48,260
406,3.05,W,A*2C
```

Table 3-8: RMC Data Format

Name	Example	Units	Description
Message ID	\$GPRMC		RMC protocol header
UTC Time	064951.000		hhmmss.sss
Status	A		A: data valid V: data not valid
Latitude	2307.1256		ddmm.mmmm
N/S Indicator	N		N: North S: South
Longitude	12016.4438		dddmm.mmmm
E/W Indicator	E		E: East W: West
Speed over Ground	0.03	knots	
Course over Ground	165.48	degrees	TRUE
Date	260406		ddmmyy
Magnetic Variation			
Mode	A		A: Autonomous mode D: Differential mode E: Estimated mode
Checksum	*2C		
<CR> <LF>			End of message termination

VTG—Course and Speed information Relating to the Ground

Table 3-9 explains the example sentence below:

\$GPVTG,165.48,T,,M,0.03,N,0.06,K,A*37

Table 3-9: VTG Data Format

Name	Example	Units	Description
Message ID	\$GPVTG		VTG protocol header
Course	165.48	degrees	Measured heading
Reference	T		TRUE
Course		degrees	Measured heading
Reference	M		Magnetic Variation (By Customization)
Speed	0.03	Knots/hr	Measured horizontal speed
Units	N		Knots
Speed	0.06	km/hr	Measured horizontal speed
Units	K		Kilometers per hour
Mode	A		A: Autonomous mode D: Differential mode E: Estimated mode
Checksum	*37		
<CR> <LF>			End of message termination

MTK NMEA Command Protocols

Packet Type: 103 PMTK_CMD_COLD_START

Packet Meaning: Cold Start --- Discarding the data of Time, Position, Almanacs and Ephemeris at re-start.

Example: \$PMTK103*30<CR><LF>

Note: Please refer to the XM-XA Software User Guide document for more details.

4: Reference Design

This section introduces reference schematic designs for best performance. For additional design guidelines please refer to the Hardware Design Guide document for the specific model.

Reference Schematic Design for Using an Active Antenna

Connect the external antenna to RF_IN (Pin2):

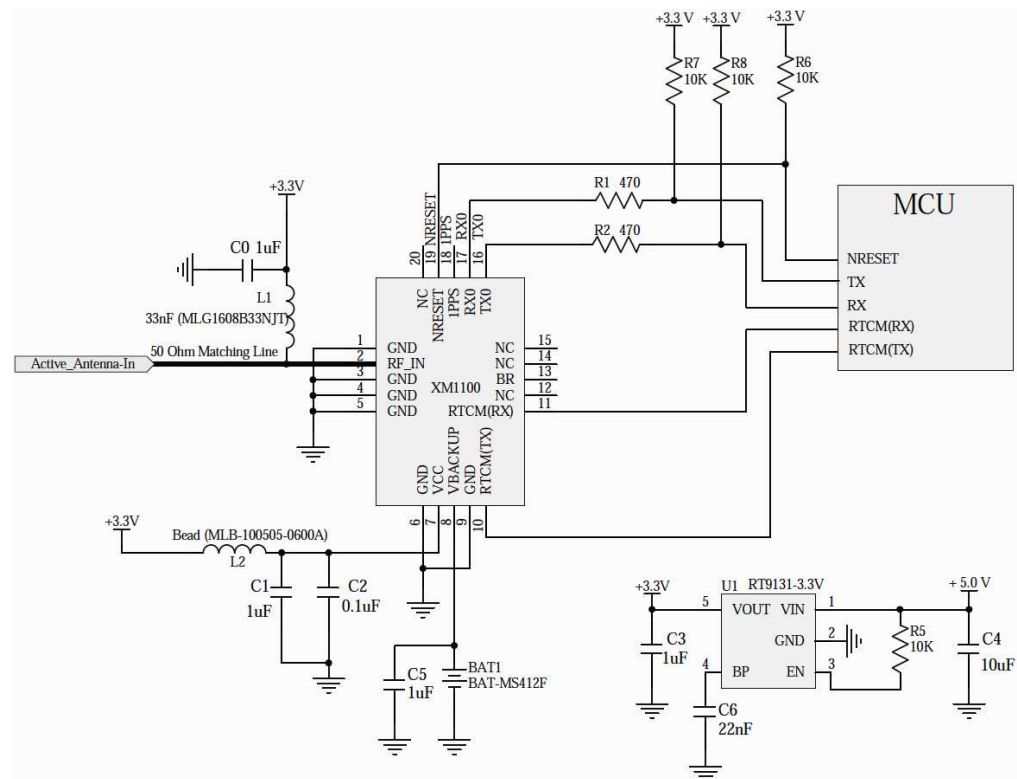


Figure 4-1: Active Antenna Application

Notes:

1. Choke coil L1 is used in electrical circuits to pass direct current and attenuate alternating current.
2. Ferrite bead L2 is added for power noise reduction. Use one with equivalent impedance (600Ω at 100MHz; IDC 200mA).
3. Place C0, C1, C2 and C5 bypass-capacitors as close as possible to the module.
4. Damping resistors R1 and R2 can be modified based on system application for EMI.

