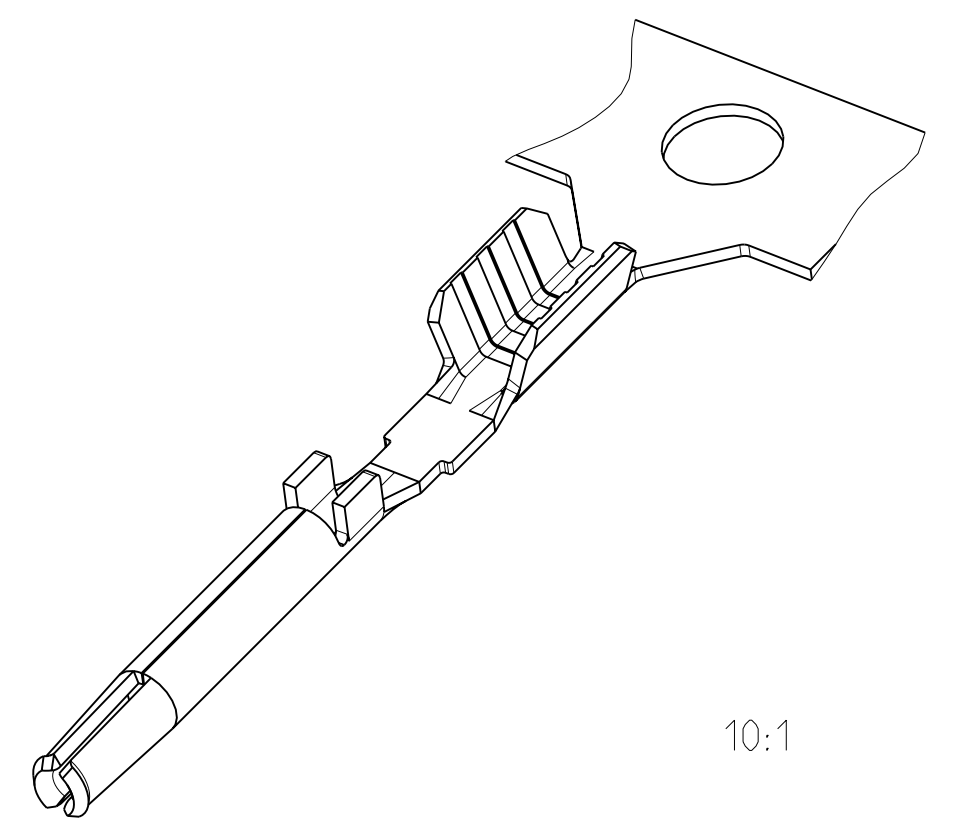
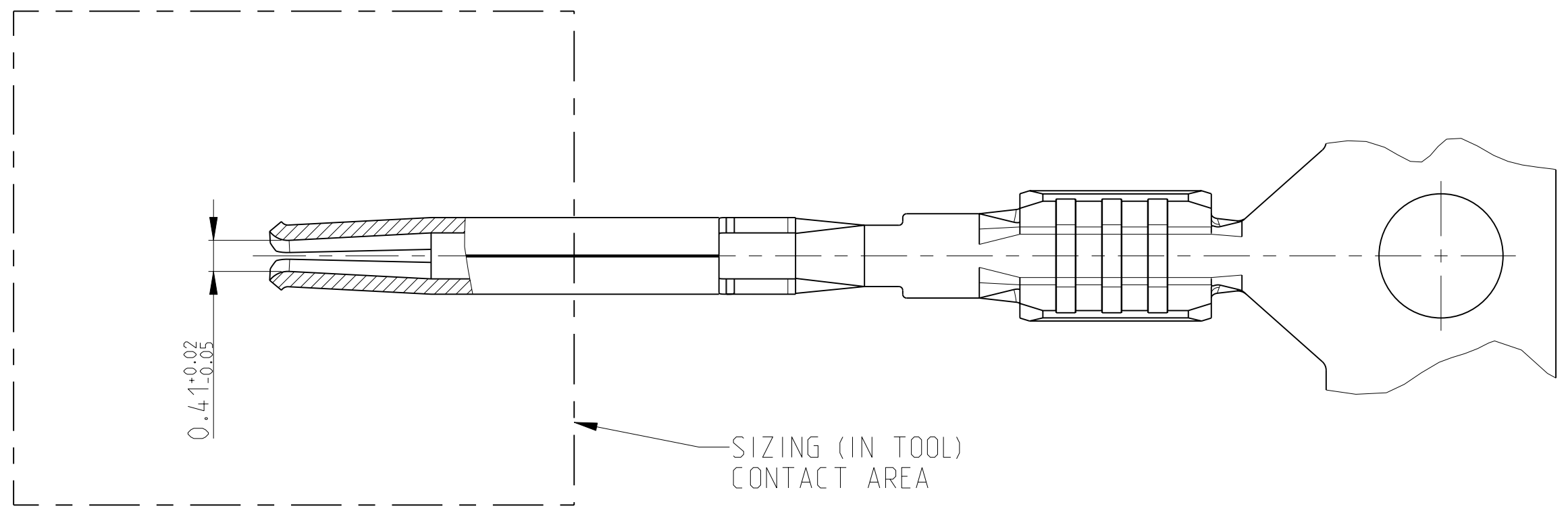
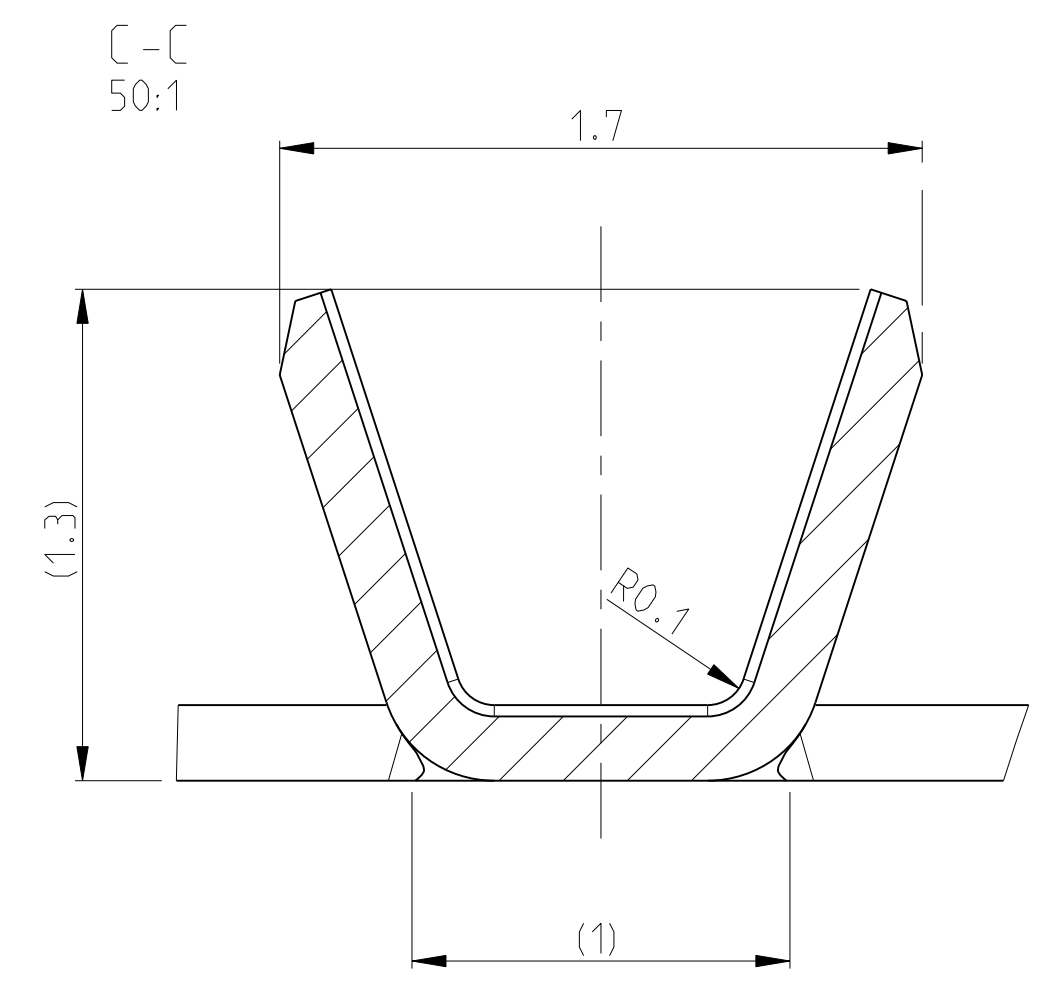
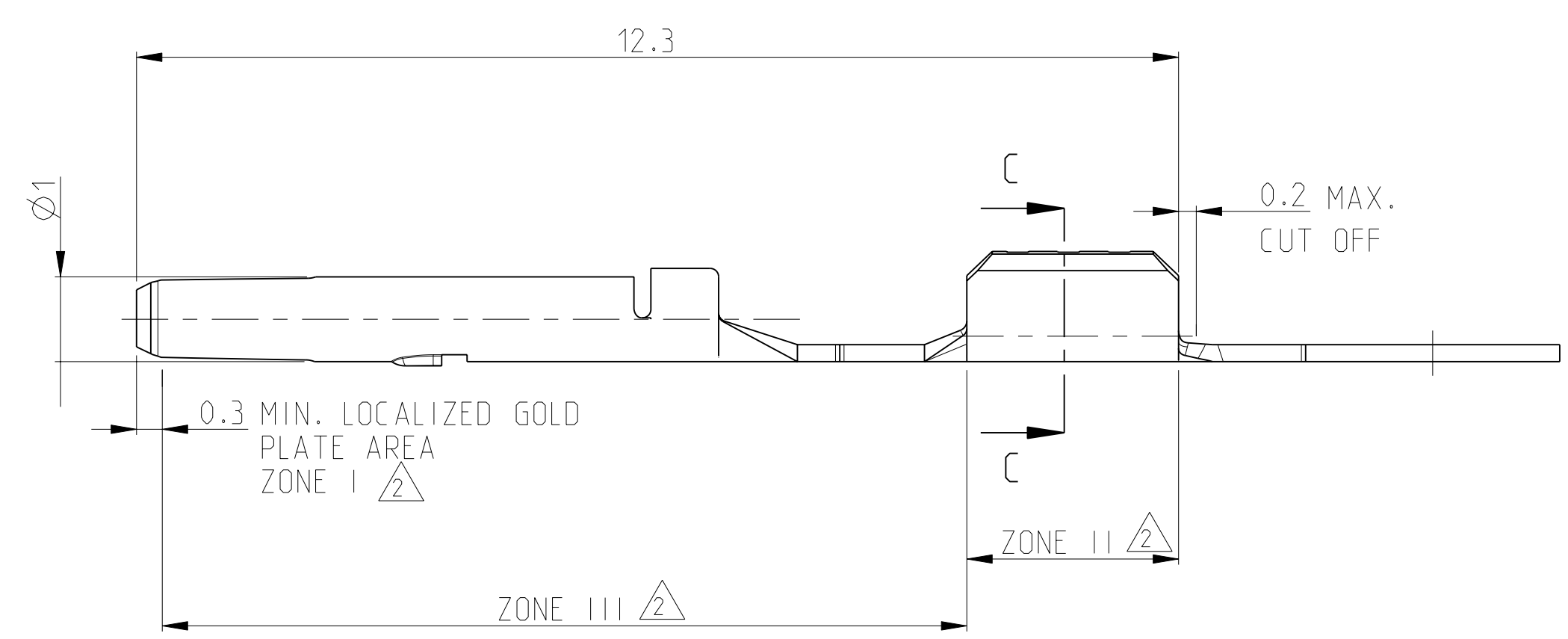
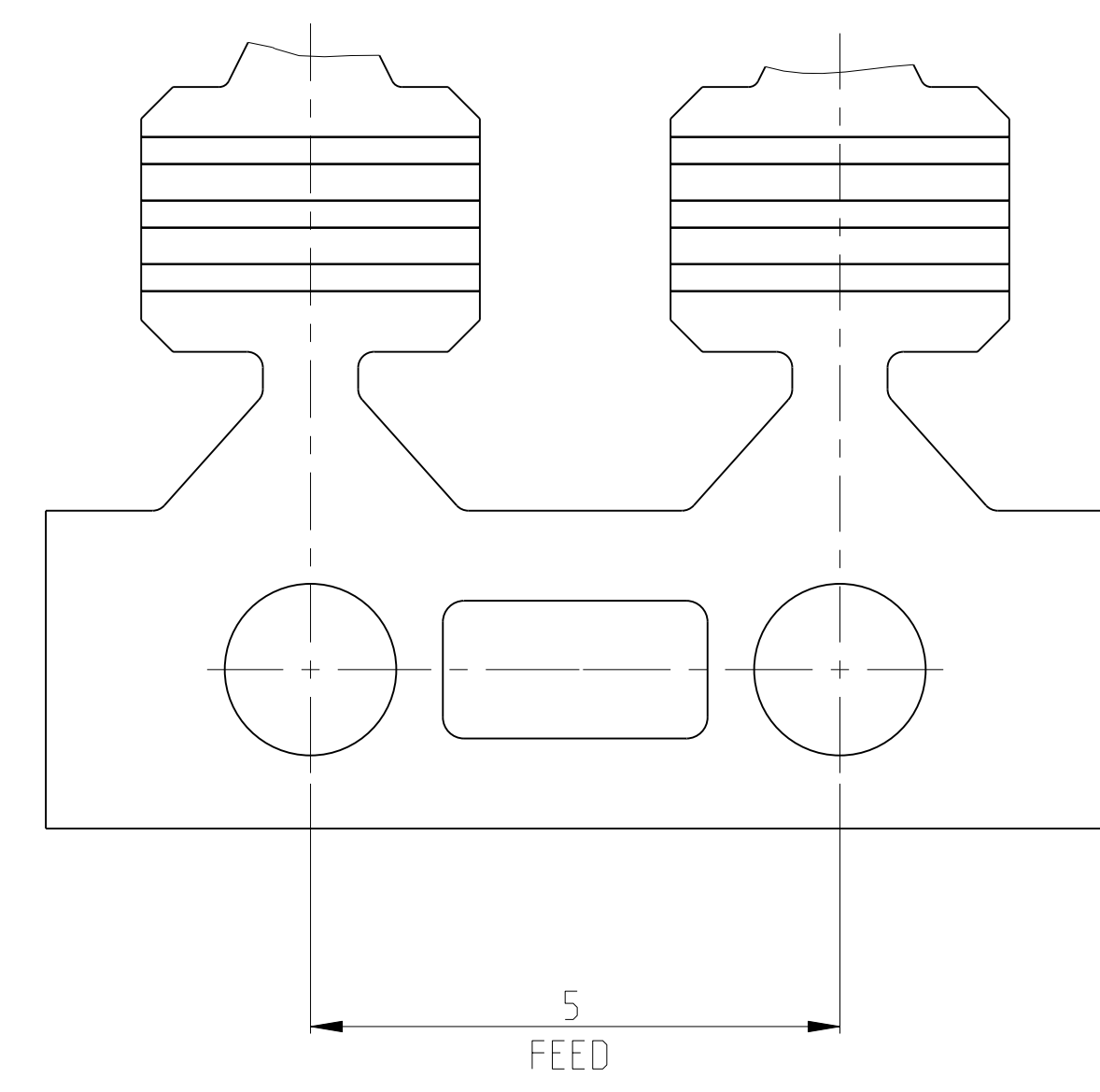
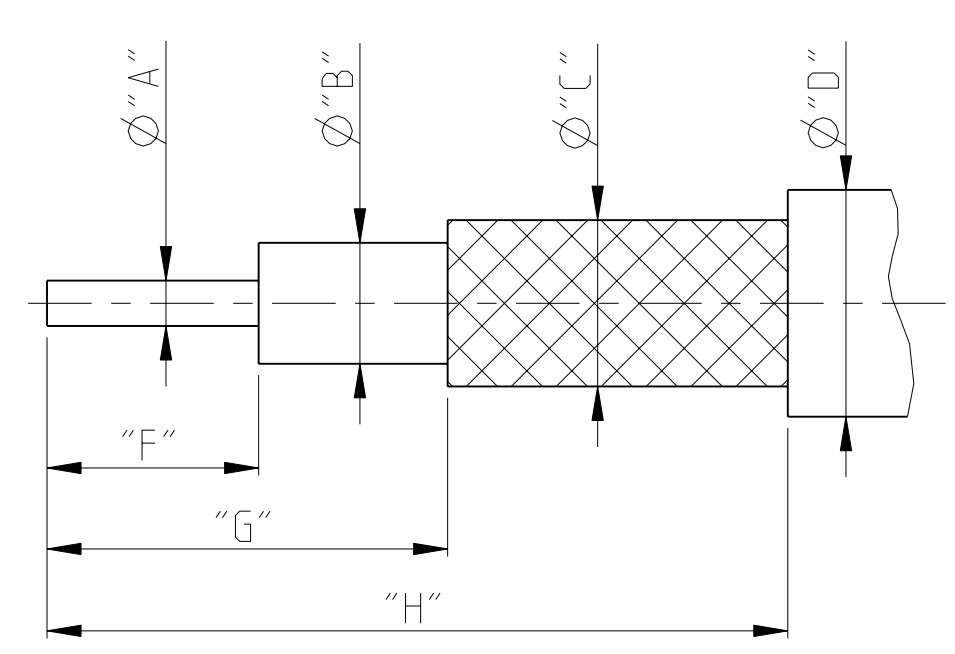


| LOC | DIST | REVISIONS | | | |
|-----|------|-------------|-----------|-----|------|
| P | LTB | DESCRIPTION | DATE | DWN | APVD |
| A | | NEW DRAWING | 03JUN2011 | LF | VC |

NOTES
 1 CuNiSi
 2 ZONE I: 0.8 µm MIN. Au OVER 1.27 µm MIN. Ni
 ZONE II: 2-4 µm Sn OVER 0.1 µm MIN. Ni
 ZONE III: 0.1 µm MIN. Ni



RECOMMENDED STRIP DIMENSIONS



| | | | | | | | | | |
|---------------------|-------------------------------------|-------------------------------------|-------------------------------------|-----------|-----------|-----------|-----------|------------------|-------------------|
| 0-1530251-6 | 9.8 ^{+0.2} _{-0.3} | 5.3 ^{+0.2} _{-0.3} | 2.8 ^{+0.2} _{-0.3} | Ø3.0 nom. | Ø2.2 nom. | Ø1.6 nom. | Ø0.6 nom. | 1.5DS | 2112465-1 |
| APPLICATOR TE PN | "H" | "G" | "F" | Ø "D" | Ø "C" | Ø "B" | Ø "A" | APPLICABLE CABLE | TE PART NUMBER |

THIS DRAWING IS A CONTROLLED DOCUMENT.

| | | | | | | | |
|-------------|---|------------------|-----------|--|-----------|------------|---------------|
| DIMENSIONS: | TOLERANCES UNLESS OTHERWISE SPECIFIED: | DWN | 01JUN2011 | TE Connectivity NAME CENTER CONTACT, PLUG HF FAKRA, 90 DEG. 1.5DS CABLE | | | |
| mm | 9 PLC ± 1 PLC ±0.1 2 PLC ±0.1 3 PLC ± 4 PLC ± | CHK | 02JUN2011 | | | | |
| | ANGLES ±° | APVD | 03JUN2011 | | | | |
| MATERIAL | FINISH | PRODUCT SPEC | | | | | |
| | | APPLICATION SPEC | | SIZE | CAGE CODE | DRAWING NO | RESTRICTED TO |
| | | WEIGHT | | A1 | 00779 | C=2112465 | |
| | | CUSTOMER DRAWING | | SCALE | 15:1 | SHEET | 1 OF 1 |
| | | | | REV | | | A |