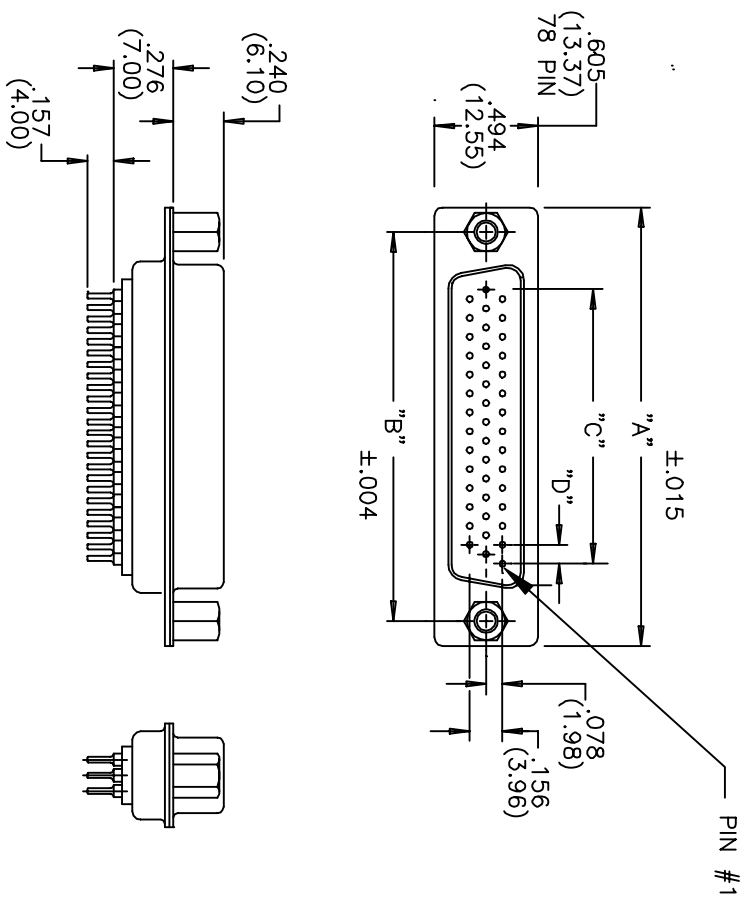


DESCRIPTION: HIGH DENSITY VERTICAL LOW PROFILE/MACHINED



SERIES \_\_\_\_\_ 197-XXX-X12-XX1  
 NUMBER OF CONTACTS \_\_\_\_\_  
 GENDER \_\_\_\_\_  
 1 = MALE  
 2 = FEMALE (NO GROUND INDENTS)  
 PC MOUNT \_\_\_\_\_  
 TIN SHELL \_\_\_\_\_  
 HARDWARE OPTIONS: \_\_\_\_\_  
 00 = .120 MOUNTING HOLE  
 55 = 4-40 INSERTS  
 03 = 4-40 HEX STANDOFFS  
 PLATING: \_\_\_\_\_  
 1 = GOLD FLASH

NUMBER OF CONTACTS	"A" Inch (mm)	"B" Inch (mm)	"C" Inch (mm)	"D" Inch (mm)
15	1.214 (30.84)	.984 (24.99)	.405 (10.29)	.090 (2.29)
26	1.545 (39.24)	1.312 (33.32)	.765 (19.43)	.090 (2.29)
44	2.088 (53.04)	1.852 (47.04)	1.305 (33.15)	.090 (2.29)
62	2.730 (69.34)	2.500 (63.50)	1.948 (49.47)	.095 (2.41)
78	2.635 (66.93)	2.406 (61.11)	1.805 (45.85)	.095 (2.41)

MATERIALS:  
 INSULATOR: THERMOPLASTIC POLYESTER, UL94V-0  
 CHEMICAL RESISTANCE, COLOR BLACK  
 SHELL: STEEL, TIN PLATED  
 CONTACT: MALE: BRASS; FEMALE: PHOSPHOR BRONZE  
 GOLD FLASH IN MATING AREA  
 TIN-LEAD PLATING ON TAIL ENDS

ELECTRICAL:  
 CURRENT RATING: 2 AMPERES  
 DIELECTRIC WITHSTANDING VOLTAGE:  
 1000VAC rms AT SEA LEVEL  
 INSULATION RESISTANCE: 5000 MEGOHMS MIN.  
 CONTACT RESISTANCE: 10 MILLIOHMS MAX.  
 WORKING TEMPERATURE: -55° TO +125° C

**NorComp**

THESE DRAWINGS AND SPECIFICATIONS ARE THE PROPERTY OF NorComp AND SHALL NOT BE REPRODUCED, COPIED OR USED AS THE BASIS FOR THE MANUFACTURE OF APPARATUS WITHOUT WRITTEN PERMISSION.

DRAWN: PAM JENKINS  
 CHECKED: \_\_\_\_\_  
 DATE: 5-10-01

SCALE: \_\_\_\_\_ SHEET 1 OF 1 REV 2

DWG NO. 197-XXX-212-XX1