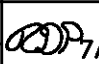
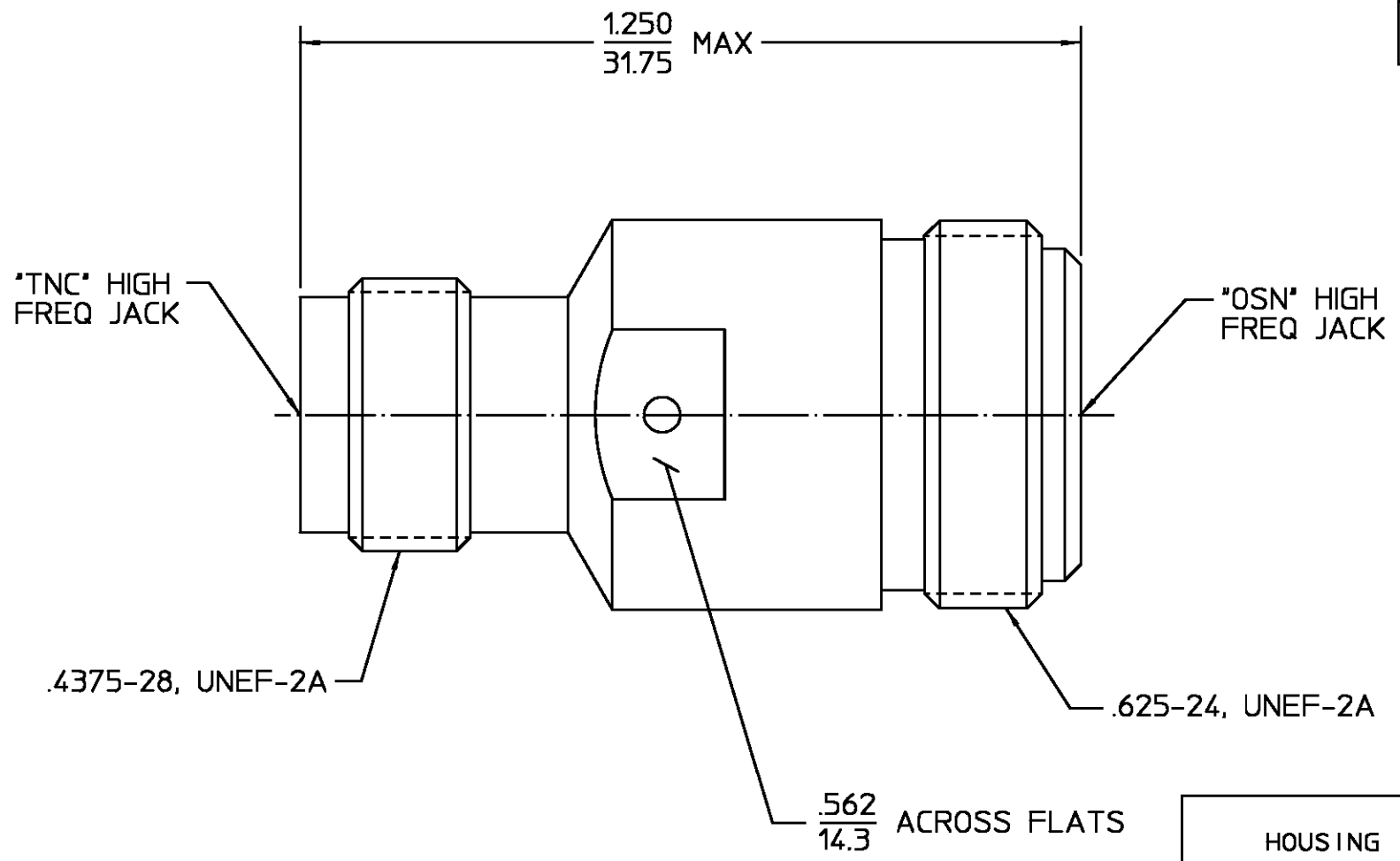



REVISIONS			
REV	DESCRIPTION	DATE	APPROVED
02 <sub>1</sub>	REVISED	KYLE 5-22-97	 7/14/97



**NOTES:**

- IMPEDANCE: 50 ohm
- FREQ. RANGE DC TO 18.0
- VSWR: 1.17:1 MAX
- INSERTION LOSS: 0.4 dB MAX
- INSULATION RESISTANCE: 5,000 MegaOhm MIN
- WORKING VOLTAGE: 500 V<sub>rm</sub> @ SEA LEVEL
- RF HIGH POTENTIAL VOLTAGE: 1,000 V<sub>rm</sub> MIN
- DWV: 1,500 V<sub>rm</sub> MIN AT SEA LEVEL
- CORONA LEVEL: 375 V MIN AT 70,000 FEET
- TEMPERATURE RANGE: -65 TO +165°C

HOUSING	STAINLESS STEEL PER ASTM-A484 AND ASTM-A582, TYPE 303	PASSIVATE PER QQ-P-35				
DIELECTRIC	PTFE FLUOROCARBON PER ASTM-D-1457	N/A				
CENTER CONTACT	BERYLLIUM COPPER PER ASTM-B-196 OR ASTM-B-197, ALLOY C17300, CONDITION H	GOLD PLATE PER MIL-G-45204				
COMPONENT	MATERIAL	FINISH				
UNLESS OTHERWISE SPECIFIED DIMENSIONS ARE IN INCHES FRAC. ± 1/64 DEC. ±.005 ANGLES ± 1°	DRAWN BY D. CAM DATE 2-28-79	 AMP Incorporated 140 Fourth Avenue Waltham, MA 02451-7599				
	CHECKED BY R. S 3-26-79					
	APPD BY G. H 3-27-79					
These drawings and specifications are the property of M/A COM Interconnect Div. and shall not be reproduced or copied or used in whole or in part as the basis for the manufacture or sale of item(s) without written permission.	USE ASSY PROCEDURE	TITLE HIGH FREQ.(18 GHz) "TNC" JACK TO "OSN" JACK ADAPTER				
	NO. A.P. N/A	<table border="1"> <tr> <td>SIZE B</td> <td>CODE IDENT NO. 26805</td> <td>3680-2310-02</td> <td>REV 02<sub>1</sub></td> </tr> </table>	SIZE B	CODE IDENT NO. 26805	3680-2310-02	REV 02 <sub>1</sub>
	SIZE B	CODE IDENT NO. 26805	3680-2310-02	REV 02 <sub>1</sub>		
	SCALE 4:1	SHEET 1 OF 1				

**COPY IN PUERTO RICO**

CUSTOMER DRAWING

AMP PART # 1058656-1  
SHEET 1 OF 1 REV A