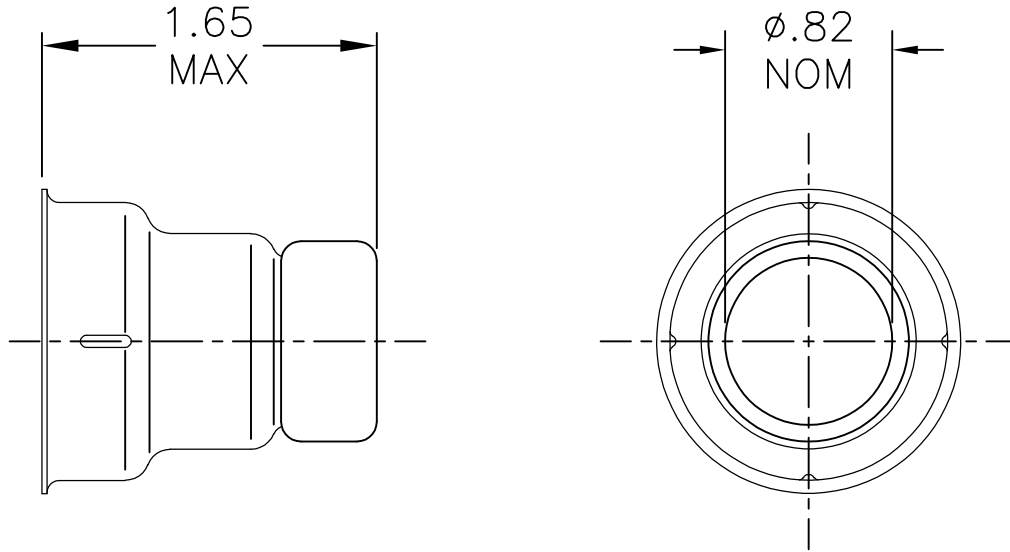


REVISIONS			
LTR	DESCRIPTION	DATE	APPROVED
NE	RELEASED AS PER ECO-16-006072	25APR16	MT

OBSOLETE



NOTES:

1. THIS ITEM CAN BE PURCHASED UNDER PART NUMBER: 444817.
2. THIS ADAPTER IS DESIGNED FOR USE WITH THE STEINEL HEAT GUN AND THE "PR" SERIES OF REFLECTORS.
3. LOCATE NOTCHES POSITION TO MATE WITH THE HEAT GUN AND TURN TO FIX.

© 2016 TE Connectivity. All Rights Reserved.

CUSTOMER DRAWING

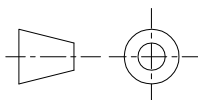
UNLESS OTHERWISE SPECIFIED
DIMENSIONS ARE IN INCHES.
METRIC DIMENSIONS ARE
IN BRACKETS.

DECIMALS
.XXX ± — [mm]
.XX ± — [mm]
.X ± — [mm]

ANGLES
.X ± —

DRAWN G.ROSITANO	DATE 6/1/99
CHECKED GMR	DATE 6/2/99
APPROVED E.STADLER	DATE 6/2/99
APPROVED	DATE
CAD NAME HL1802E	

THIRD ANGLE
PROJECTION



TITLE

ADAPTER ASSEMBLY
(FOR STEINEL HEAT GUNS)

SIZE A	CODE IDENT. NO. 06090	DWG. NO. HL1802E-ADAPT-PR	REV NE
-----------	--------------------------	------------------------------	-----------

DO NOT SCALE THIS DWG

SHEET 1 OF 1