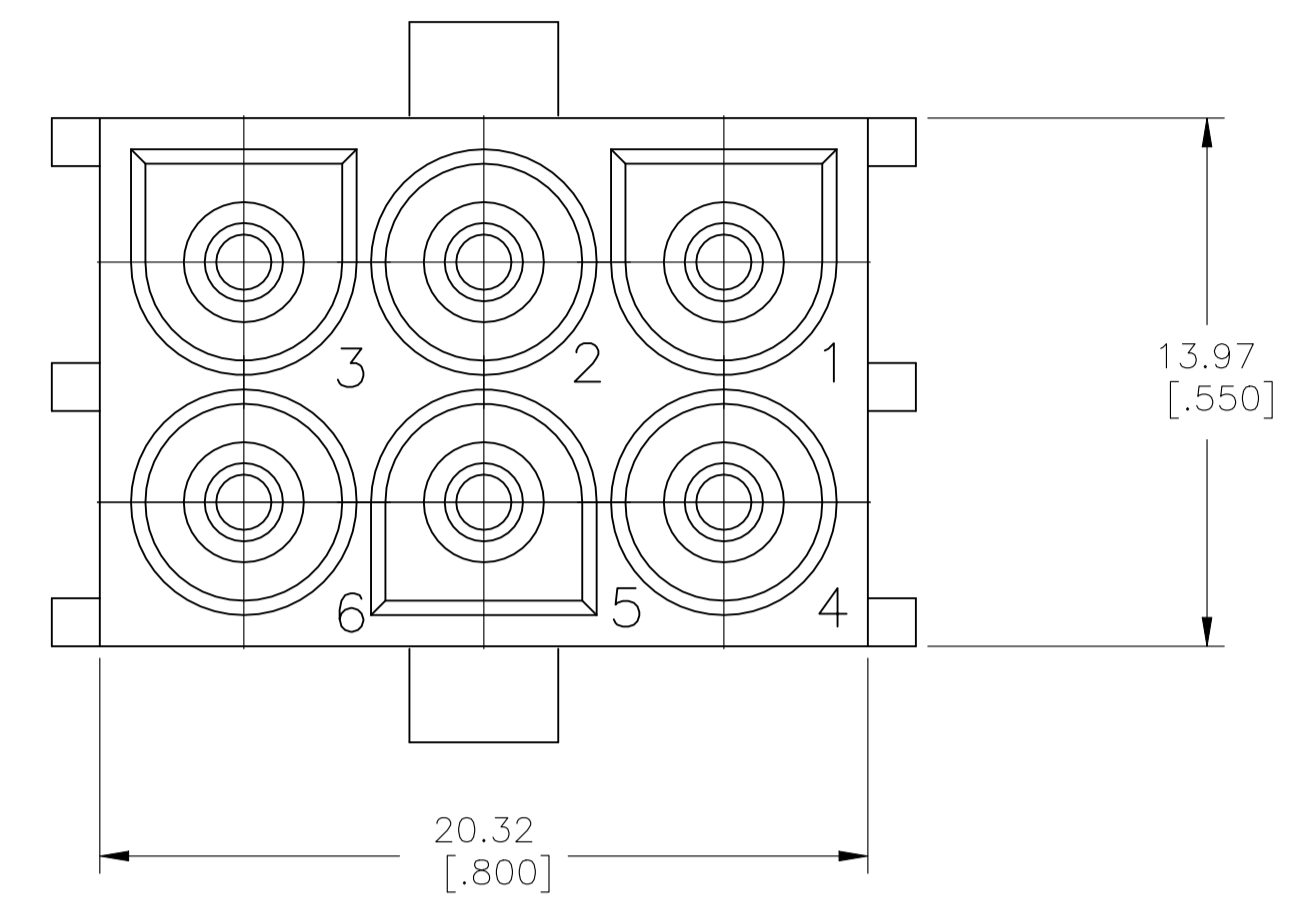
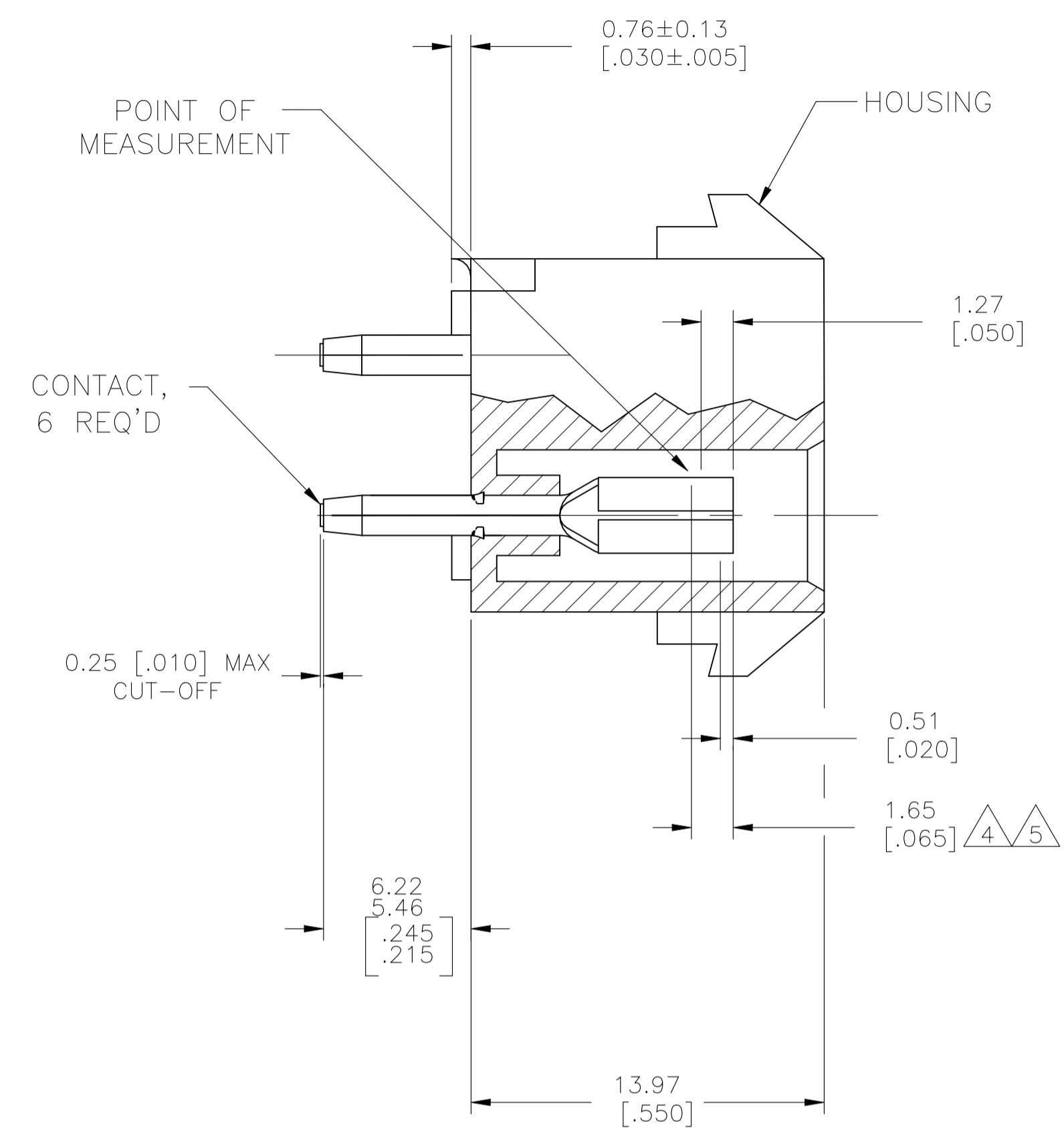
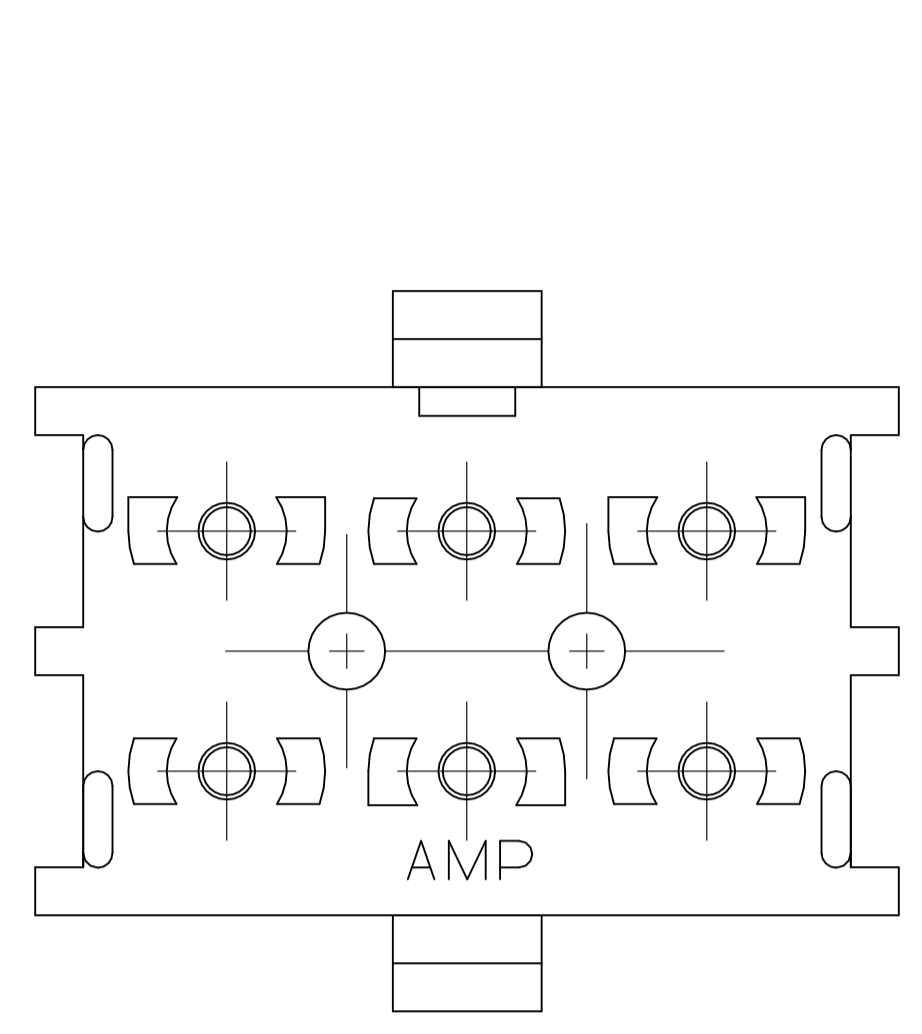
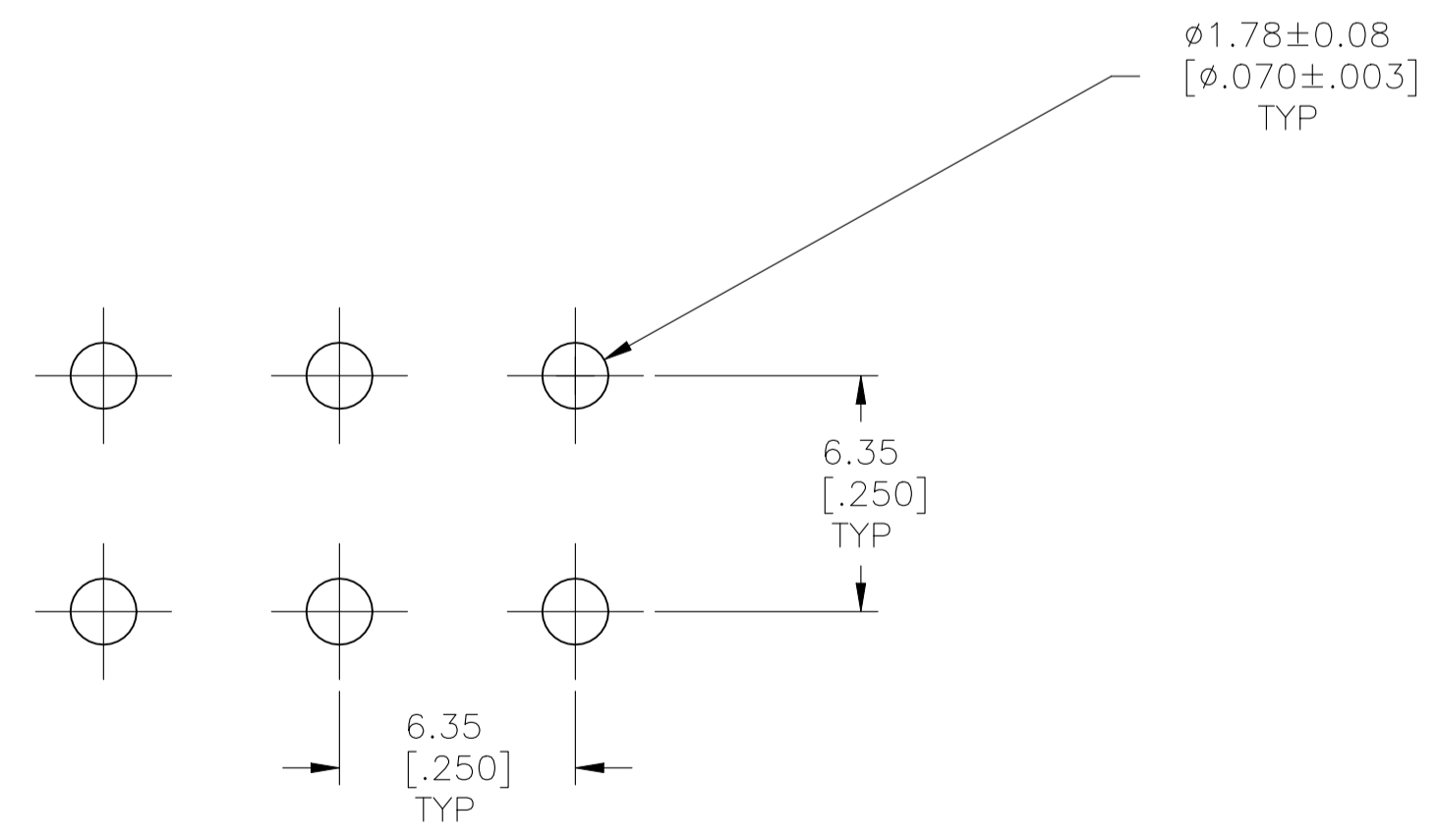


REVISIONS					
REV	DESCRIPTION	DATE	BY	CHK	APP'D
G4	REVISED PER ECR-21-118222	21JUL2022	AVN	VS	
G3	REV PER ECO-09-021826	08SEP09	KK	AEG	



- 1 MATES WITH AMP CONNECTOR PART NO 480704.
- $\triangle 2$ FLAME RETARDANT CLASSIFICATION OF MATERIAL IS 94V-2.
- 3 PARTS MUST COMPLY WITH AMP SOLDERABILITY SPEC 109-11-3.
- $\triangle 4$ CONTACT IS STAMPED FROM PRE-PLATED STOCK WHICH IS PLATED OVERALL WITH 0.00127 [.000050] NICKEL, THEN STRIPED WITH 0.00076 [.000030] GOLD IN CONTACT AREA INDICATED AND TIN-LEAD ON SOLDER TAIL END.
- $\triangle 5$ CONTACT IS PLATED OVERALL WITH 0.00127 [.000050] NICKEL, THEN 0.00076 [.000030] GOLD OVER CONTACT LENGTH INDICATED AND MATTE TIN ON SOLDER TAIL END.
- $\triangle 6$ OBSOLETE PARTS: OBSOLETE CIS STREAMLINING PER D.RENAUD/D.SINISI
- 7 DIMENSIONS SHOWN REPRESENT PRODUCT IN DRY CONDITION. ADDITIONAL 2% GROWTH DUE TO END USE LOCATION MOISTURE ABSORPTION MAY OCCUR AND SHOULD BE ACCOUNTED FOR.



RECOMMENDED LAYOUT FOR 3.18 [.125] THICK PC BOARD

$\triangle 6$ OBSOLETE	PH BRZ GOLD $\triangle 5$	NYLON, NATURAL $\triangle 2$	350989-5
	PH BRZ TIN	NYLON, NATURAL $\triangle 2$	350989-4
	PH BRZ GOLD $\triangle 4$	NYLON, NATURAL $\triangle 2$	350989-3
	CONTACT	HOUSING	PART NO

METRIC

THIS DRAWING IS A CONTROLLED DOCUMENT.		DIN K. WHITAKER 11OCT2005	TE Connectivity
		CHK S. RIDGILL 11OCT2005	
DIMENSIONS: mm [INCHES]	TOLERANCES UNLESS OTHERWISE SPECIFIED:	APP'D S. RIDGILL 11OCT2005	NAME SOCKET HEADER ASSEMBLY, 6 CIRCUIT, LONG TAIL, UNIVERSAL MATE-N-LOK (TM)
0. PLC ±	1. PLC ±	PRODUCT SPEC	APPLICATION SPEC
2. PLC ±	3. PLC ± 0.13 [.005]	WEIGHT	0.000000
4. PLC ±	ANGLES ±	FINISH	SEE TABLE
MATERIAL SEE TABLE	FINISH SEE TABLE	SIZE A1	CAGE CODE 00779
CUSTOMER DRAWING		SCALE	5:1
		SHEET	1 of 1
		REV	G4