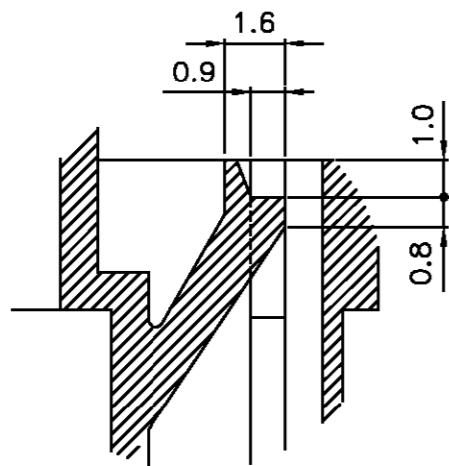
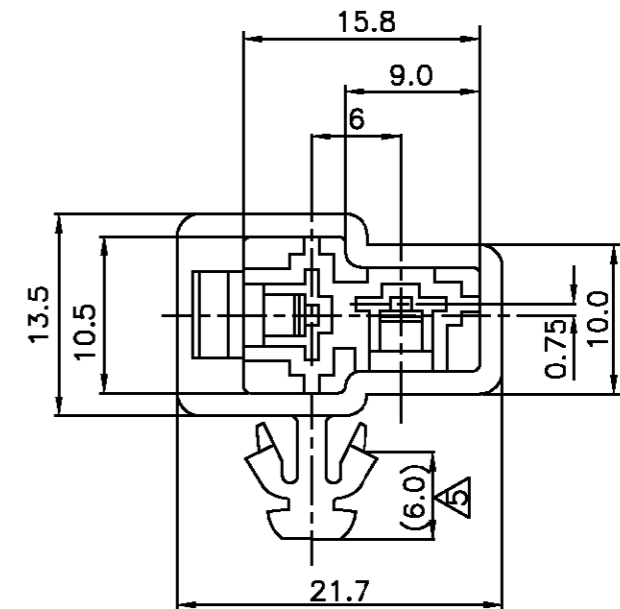
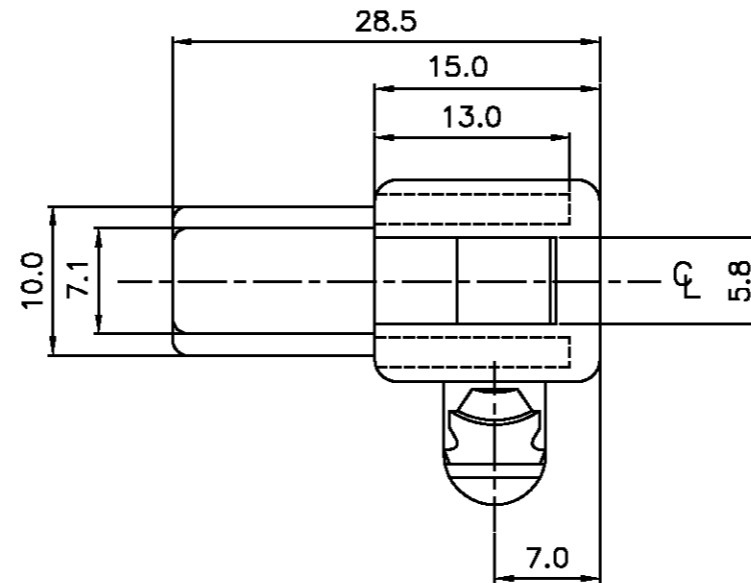
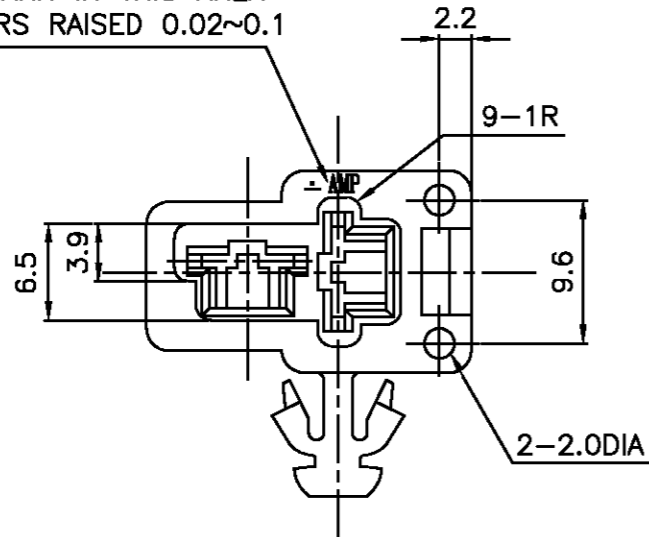
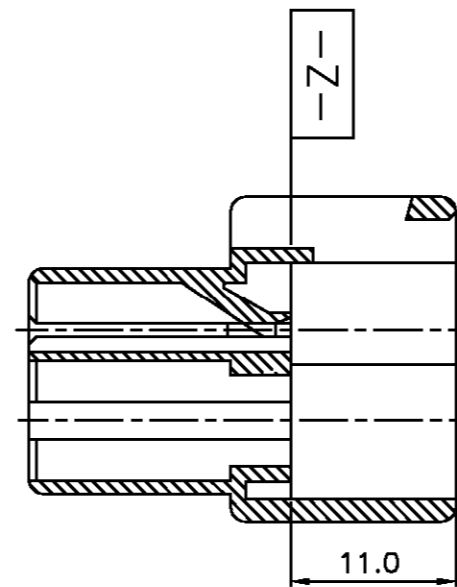


**CUSTOMER DRAWING**

TRADE MARK IN THIS AREA  
CHARACTERS RAISED 0.02~0.1



DETAIL LANCE  
SCALE:5/1



**NOTE**

1. TO BE MEASURED BETWEEN - Z - AND 2mm.
2. TO BE MATE WITH REC HSG SMOOTHLY.
3. TO BE MATE WITH PLATE(176994) SMOOTHLY
- Ⓐ 4. APPLICABLE PANEL : DIAMETER -  $\phi$ 7.0 mm  
THICKNESS - 0.65~1.2 mm
- Ⓐ△ 5. A SPACE REQUIRED INSIDE OF THE PANEL FOR PROPER INSTALLATION.
6. APPLIED CONTACT P/N : 170340,170341,170349
7. APPLIED REC HSG P/N : 172130

NATURAL	368021-1
COLOR	PART NO.

APPLICABLE TAB CONTACT			
WIRE RANGE		TML P/N	CURRENT (A)
AWG	mm <sup>2</sup>		
20-14	0.5-2.27	170340	10
14-12	2-3.37	170341	20
22-20	0.3-0.5	170349	5

© 19 AMP KOREA ALL RIGHT RESERVED AMP PRODUCTS COVERED BY PATENTS AND OR PATENTS PENDING					<b>AMP AMP KOREA</b>									
WIRE RANGE					INSULATION DIA					NAME 250 2P CAP CLIP HSG. (PANEL MOUNT TYPE)				
MATERIAL NYLON 66					FINISH/COLOR SEE TABLE					TOLERANCES 0<XX<10 ±0.2 10<XX<30 ±0.25 30<XX<100±0.3 ANGLES ±3'				
A REVISED(RD97-0157)			YJ JK JUL 29 '97		DR APP			SIZE A3		LOC DS		NUMBER 368021		
O RELEASED			YM JK 11/10 '95		CHK REL			SCALE 2/1		REV A		SHEET 1/1		
LTR REVISION RECORD					DR CHK DATE									