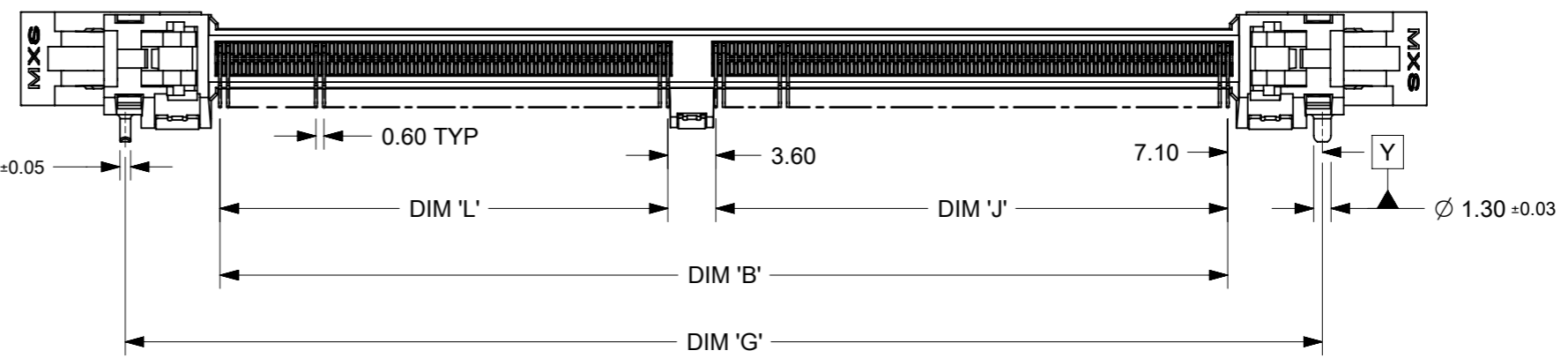
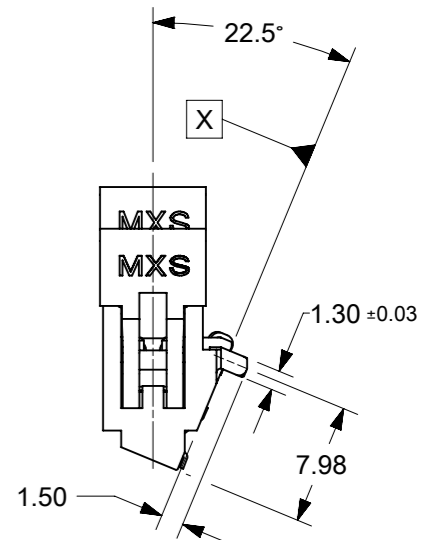
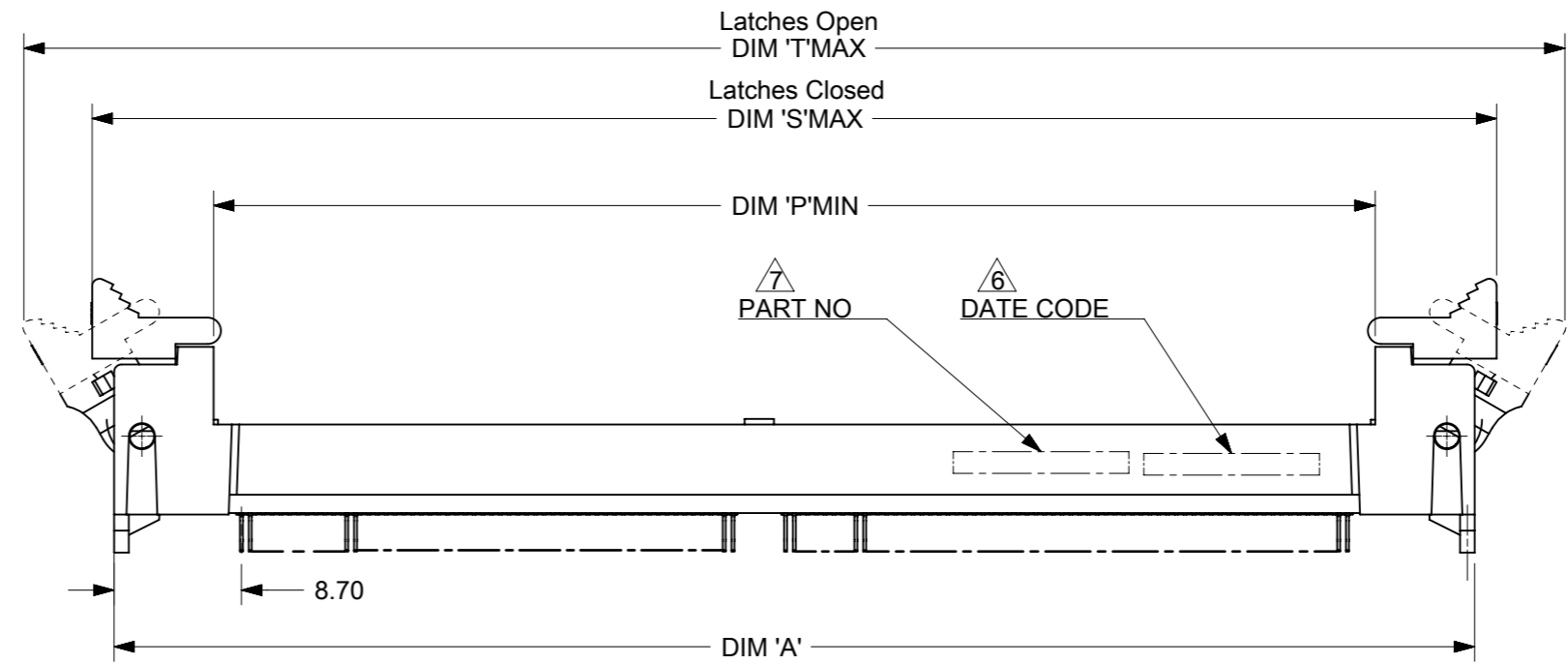
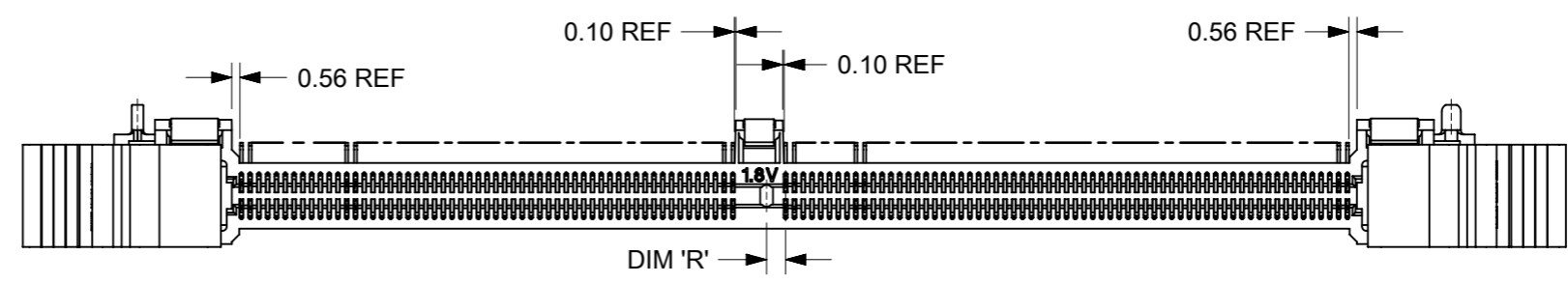


MINIMUM HEIGHT OF SOCKET WITH MODULE CARD HEIGHT OF 30.00mm AND THICKNESS OF 4mm.



NOTES :
 1. MATERIAL :
 HOUSING : HIGH TEMPERATURE LIQUID CRYSTAL POLYMER, UL94V-0
 COLOUR : BLACK
 CONTACTS : COPPER ALLOY
 LATCHES : HIGH TEMPERATURE NYLON, UL94V-0
 COLOUR : NATURAL (OFF-WHITE)
 COVER : HIGH TEMPERATURE NYLON, UL 94V-0
 COLOUR : BLACK

2. FINISH
 CONTACTS : 0.76 MICROMETER (30 MICROINCH) MIN GOLD OVER
 1.25 MICROMETER (50 MICROINCH) MIN NICKEL
 SMT TAIL : 2.54 MICROMETER (100 MICROINCH) MIN TIN OVER
 1.25 MICROMETER (50 MICROINCH) MIN NICKEL

3. ACCEPTS 1.0mm THICK MEMORY MODULE PER JEDEC MO-244 FOR 244 CKTS AND MO-258 FOR 200 CKTS.

4. PRODUCT SPECIFICATION : PS-78035-001.

5. PACKING SPECIFICATION: SEE TABLE IN SHEET 4.

6. DATE CODE SHALL BE MARKED LEGIBLY AS SHOWN : YY DDD.

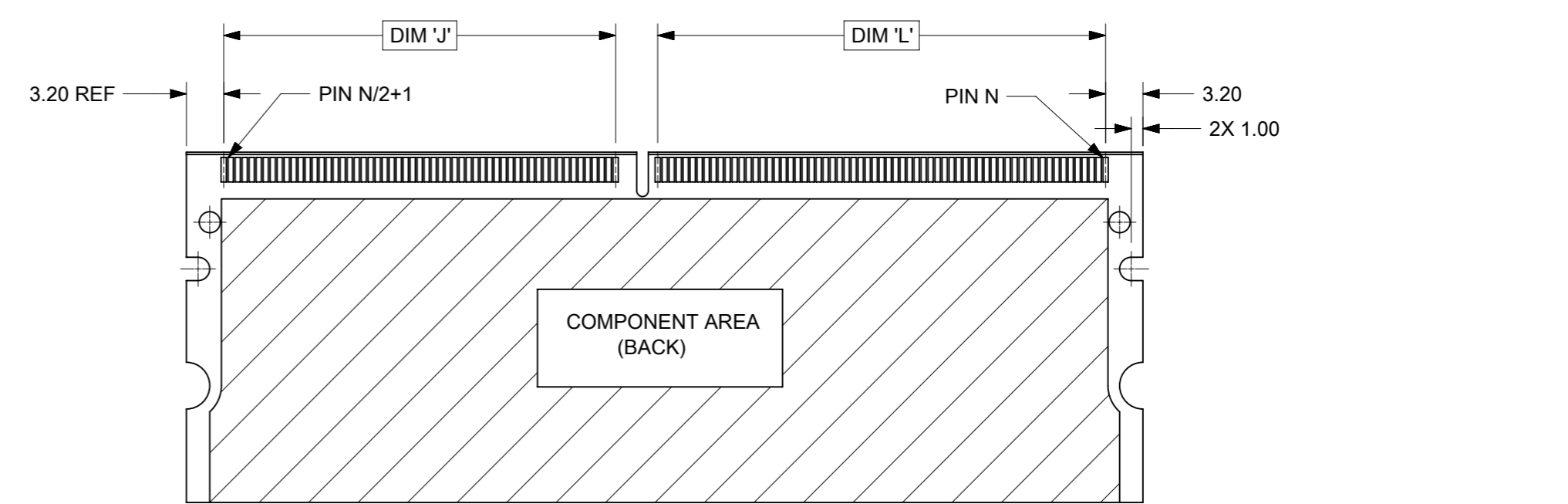
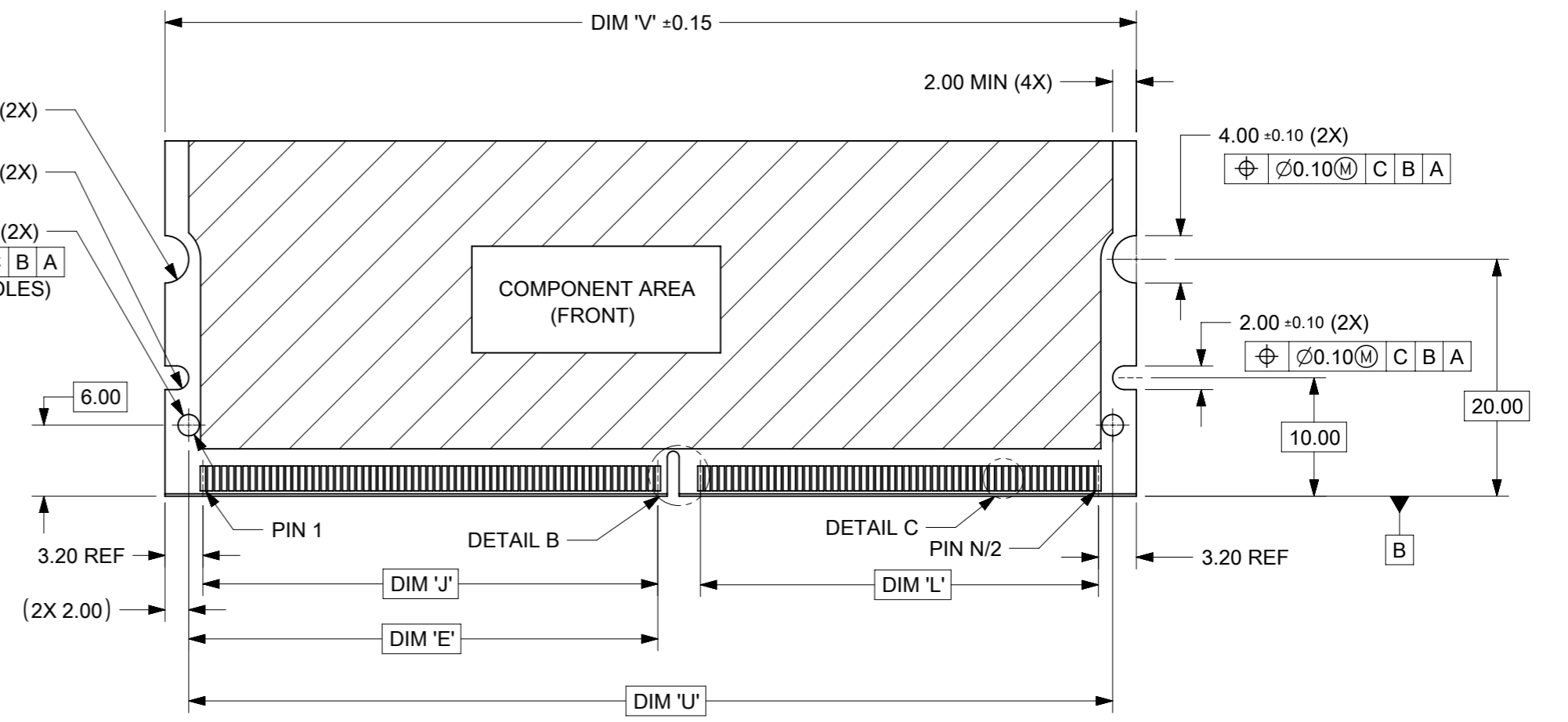
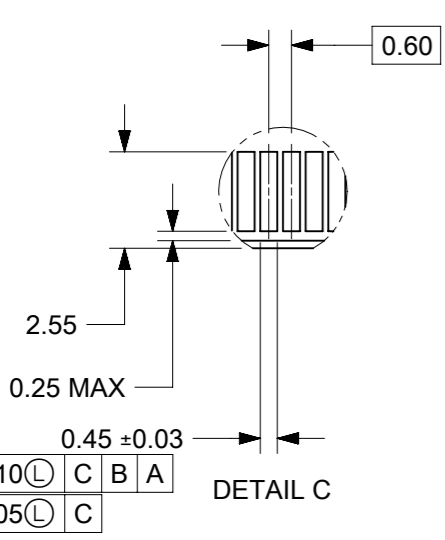
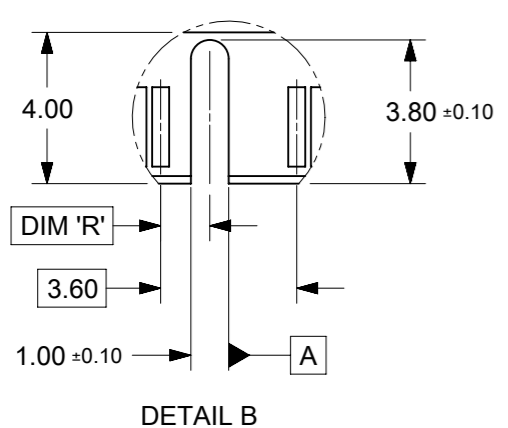
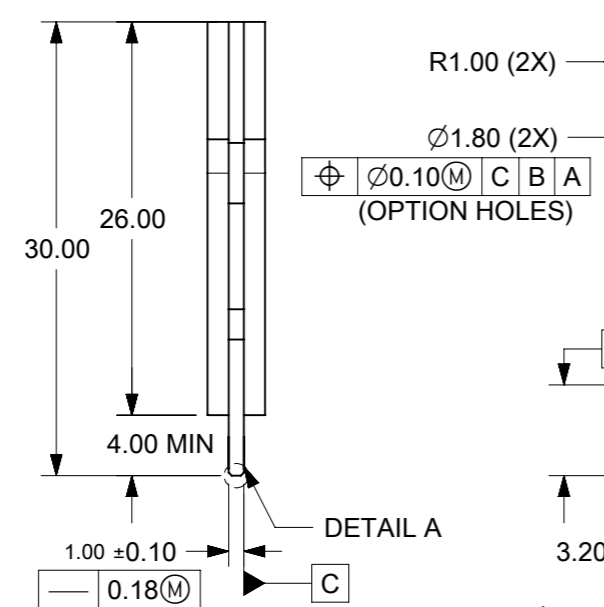
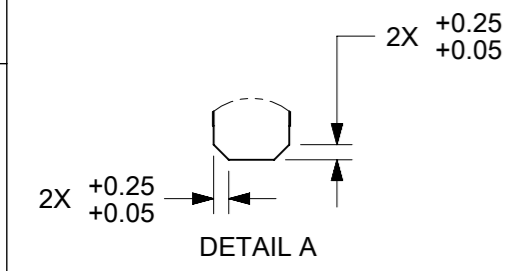
7. PART NUMBER SHALL BE MARKED LEGIBLY AS SHOWN : 78035-XXXX (REFER TO TABLE).

THIS DRAWING CONTAINS INFORMATION THAT IS PROPRIETARY TO MOLEX ELECTRONIC TECHNOLOGIES, LLC AND SHOULD NOT BE USED WITHOUT WRITTEN PERMISSION

DIMENSION UNITS		SCALE		CURRENT REV DESC: REMOVED OBSOLETE PART NUMBER AS PER PCN#512063.				molex			
mm		NTS									
GENERAL TOLERANCES (UNLESS SPECIFIED)				EC NO: 713759				MINI DIMM, 0.60MM PITCH 200/244 CKTS, REV. ANGLE 22.5 DEG, SMT			
				DRWN: SANTHN 2022/07/18							
4 PLACES ±				CHK'D: GB 2022/10/07				PRODUCT CUSTOMER DRAWING			
3 PLACES ±				APPR: GB 2022/10/07							
2 PLACES ± 0.13				INITIAL REVISION:				DOCUMENT NUMBER: SD-78035-001			
1 PLACE ± 0.25				DRWN: YTYANG01 2005/08/12							
0 PLACES ±				APPR: GGLEE 2005/08/25				DOC TYPE: PSD			
ANGULAR TOL ± 1.0°											
DRAFT WHERE APPLICABLE MUST REMAIN WITHIN DIMENSIONS				THIRD ANGLE PROJECTION		DRAWING: A3-SIZE		SERIES: 78035		DOC PART: 001	
								MATERIAL NUMBER: SEE TABLE		CUSTOMER: GENERAL MARKET	
										REVISION: H	
										SHEET NUMBER: 1 OF 4	

10 9 8 7 6 5 4 3 2 1

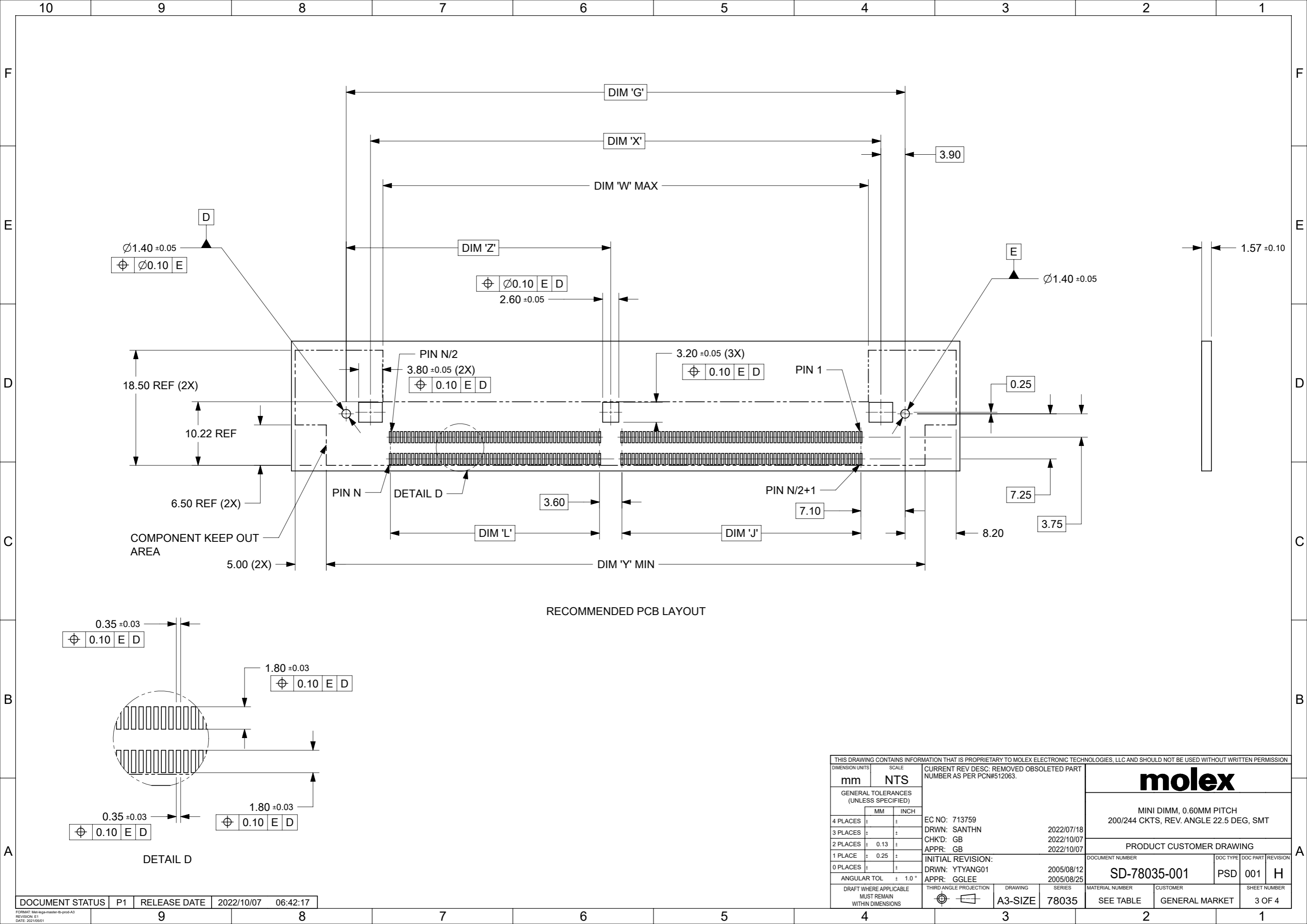
F E D C B A



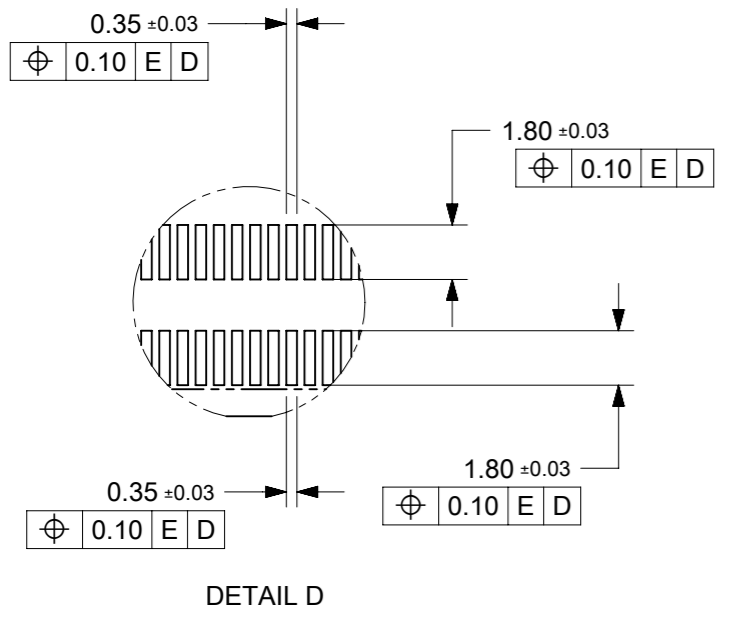
THIS DRAWING CONTAINS INFORMATION THAT IS PROPRIETARY TO MOLEX ELECTRONIC TECHNOLOGIES, LLC AND SHOULD NOT BE USED WITHOUT WRITTEN PERMISSION											
DIMENSION UNITS		SCALE		CURRENT REV DESC: REMOVED OBSOLETE PART NUMBER AS PER PCN#512063.						molex	
mm		NTS									
GENERAL TOLERANCES (UNLESS SPECIFIED)											
		MM		INCH		EC NO: 713759		2022/07/18		MINI DIMM, 0.60MM PITCH	
4 PLACES		±		±		DRWN: SANTHN		2022/10/07		200/244 CKTS, REV. ANGLE 22.5 DEG, SMT	
3 PLACES		±		±		CHK'D: GB		2022/10/07		PRODUCT CUSTOMER DRAWING	
2 PLACES		± 0.13		±		APPR: GB		2022/10/07		DOCUMENT NUMBER	
1 PLACE		± 0.25		±		INITIAL REVISION:				DOC TYPE	
0 PLACES		±		±		DRWN: YTYANG01		2005/08/12		DOC PART	
ANGULAR TOL		± 1.0°		±		APPR: GGLEE		2005/08/25		REVISION	
DRAFT WHERE APPLICABLE MUST REMAIN WITHIN DIMENSIONS				THIRD ANGLE PROJECTION		DRAWING		SERIES		MATERIAL NUMBER	
				A3-SIZE		78035		CUSTOMER		SHEET NUMBER	
				SEE TABLE		GENERAL MARKET		2 OF 4			

DOCUMENT STATUS	P1	RELEASE DATE	2022/10/07	06:42:17
-----------------	----	--------------	------------	----------

9 8 7 6 5 4 3 2 1

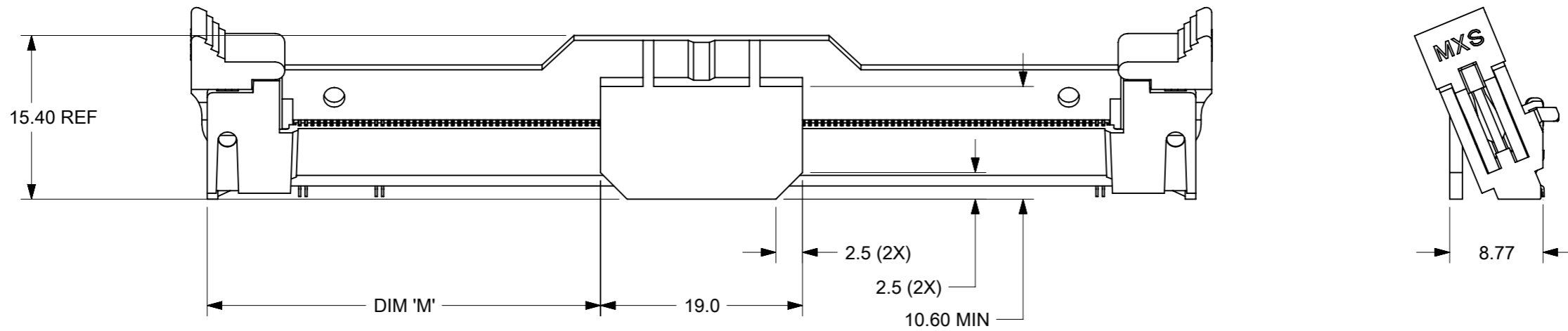


RECOMMENDED PCB LAYOUT



THIS DRAWING CONTAINS INFORMATION THAT IS PROPRIETARY TO MOLEX ELECTRONIC TECHNOLOGIES, LLC AND SHOULD NOT BE USED WITHOUT WRITTEN PERMISSION											
DIMENSION UNITS		SCALE		CURRENT REV DESC: REMOVED OBSOLETE PART NUMBER AS PER PCN#512063.						molex	
mm		NTS									
GENERAL TOLERANCES (UNLESS SPECIFIED)											
		MM		INCH							
4 PLACES		±		±		EC NO: 713759					
3 PLACES		±		±		DRWN: SANTHN		2022/07/18			
2 PLACES		± 0.13		±		CHK'D: GB		2022/10/07			
1 PLACE		± 0.25		±		APPR: GB		2022/10/07			
0 PLACES		±		±		INITIAL REVISION:					
ANGULAR TOL		± 1.0°				DRWN: YTYANG01		2005/08/12		DOCUMENT NUMBER	
						APPR: GGLEE		2005/08/25		SD-78035-001	
DRAFT WHERE APPLICABLE MUST REMAIN WITHIN DIMENSIONS				THIRD ANGLE PROJECTION		DRAWING		SERIES		MATERIAL NUMBER	
						A3-SIZE		78035		CUSTOMER	
										GENERAL MARKET	
										SEE TABLE	
										PSD 001 H	
										SHEET NUMBER	
										3 OF 4	

DOCUMENT STATUS	P1	RELEASE DATE	2022/10/07	06:42:17
-----------------	----	--------------	------------	----------



SHOW WITH PICK & PLACE COVER

CKT SIZE 'N'	PART NUMBER	MODULE CARD	VOLTAGE KEY	DIM 'R'	DIM 'E'	DIM 'J'	DIM 'L'	DIM 'M'	DIM 'P'	DIM 'G'	DIM 'S'	DIM 'T'	DIM 'U'	DIM 'V'	DIM 'W'	DIM 'X'	DIM 'Y'	DIM 'Z'	DIM 'A'	DIM 'B'	TRAY P/N PACKAGING SPEC
244	78035-0001	DDR2	1.8 V	1.30	39.60	38.40	33.60	37.0	79.0	89.80	96.0	106.20	78.00	82.00	78.0	82.00	96.20	42.50	93.0	75.60	89990-8198 89990-8199 PK-78035-001
	78035-0301	DDR3	1.5 V	2.30																	78888-8026 PK-78035-003 (HARDTRAY)
	78035-6301		1.8 V	1.30																	
	78035-6001	DDR2	1.8 V	1.30																	
200	78035-0202	DDR	2.5 V	2.30	24.60	23.40	35.40	30.40	65.8	76.60	82.8	93.00	64.80	68.80	64.8	68.80	83.00	44.30	79.8	62.40	89990-8196 89990-8197 PK-78035-002

THIS DRAWING CONTAINS INFORMATION THAT IS PROPRIETARY TO MOLEX ELECTRONIC TECHNOLOGIES, LLC AND SHOULD NOT BE USED WITHOUT WRITTEN PERMISSION

DIMENSION UNITS mm	SCALE NTS	CURRENT REV DESC: REMOVED OBSOLETE PART NUMBER AS PER PCN#512063.		molex	
GENERAL TOLERANCES (UNLESS SPECIFIED)		EC NO: 713759			
		DRWN: SANTHN		2022/07/18	
		CHK'D: GB		2022/10/07	
		APPR: GB		2022/10/07	
		INITIAL REVISION:		DOCUMENT NUMBER	
		DRWN: YTYANG01		SD-78035-001	
		APPR: GGLEE		PSD 001 H	
		THIRD ANGLE PROJECTION		SHEET NUMBER	
		DRAWING		4 OF 4	
		SERIES			
		A3-SIZE			
		78035			
		MATERIAL NUMBER			
		SEE TABLE			
		CUSTOMER			
		GENERAL MARKET			