

4

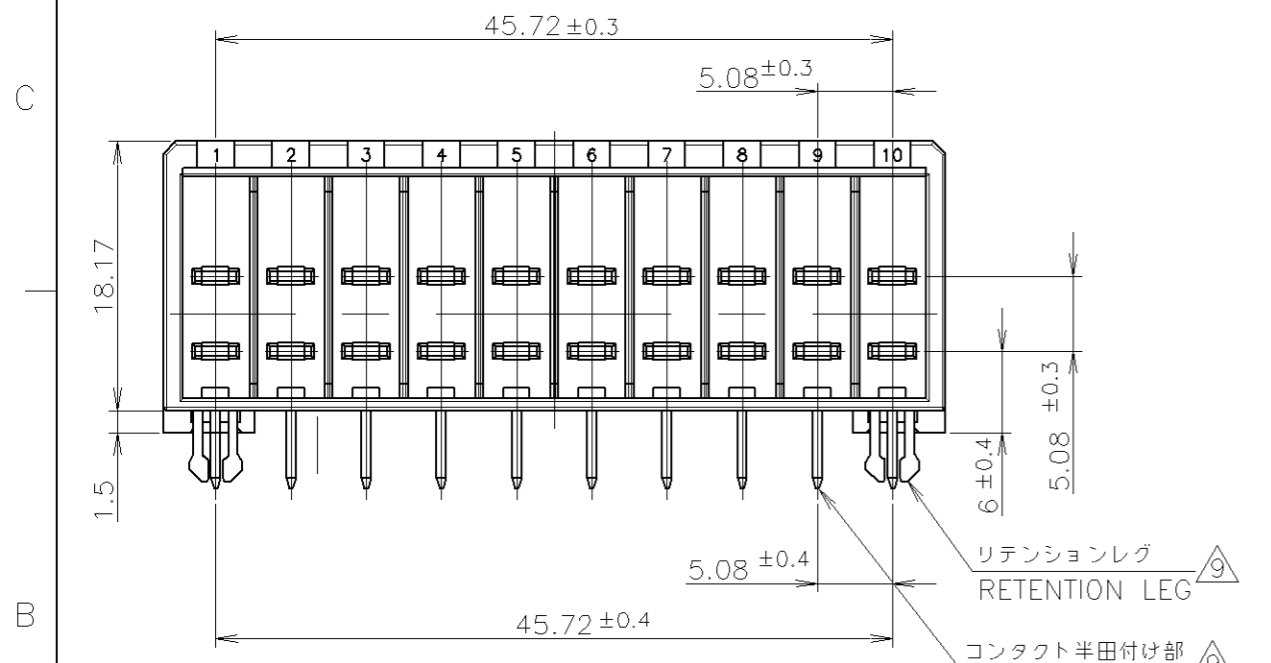
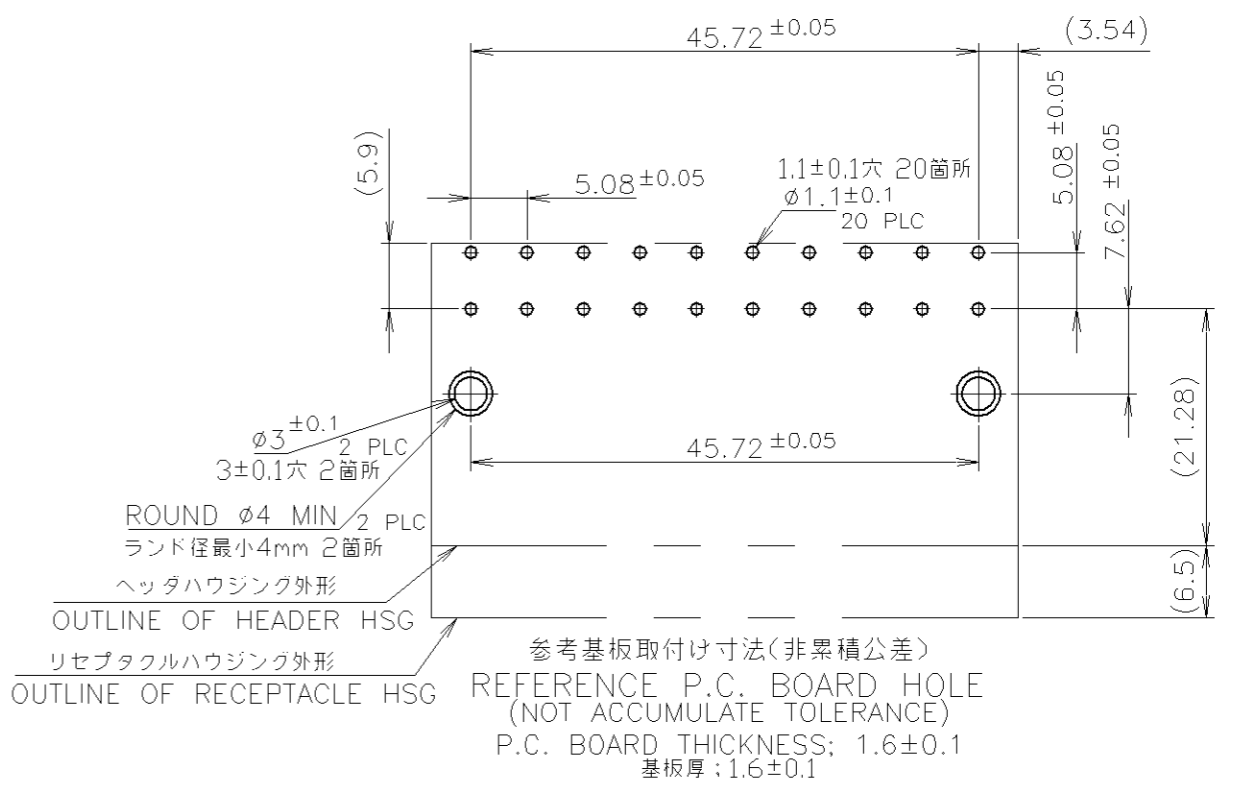
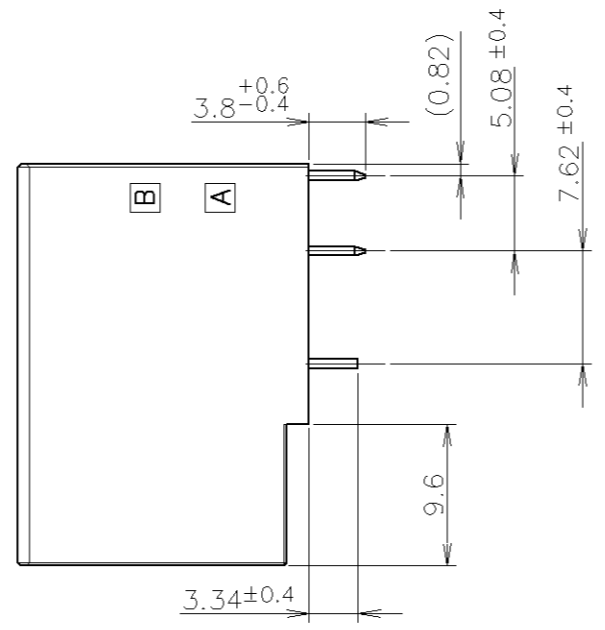
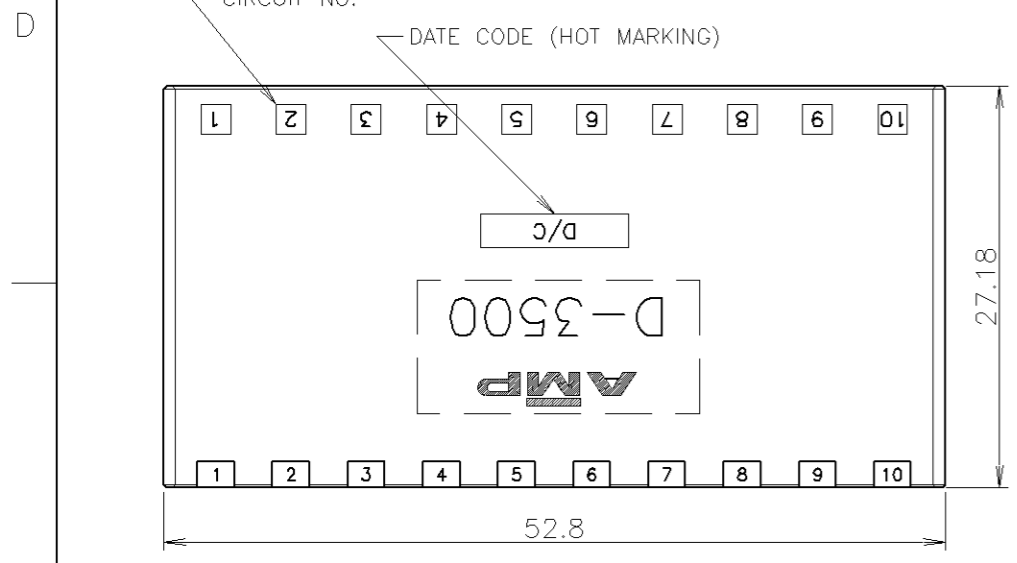
3

2

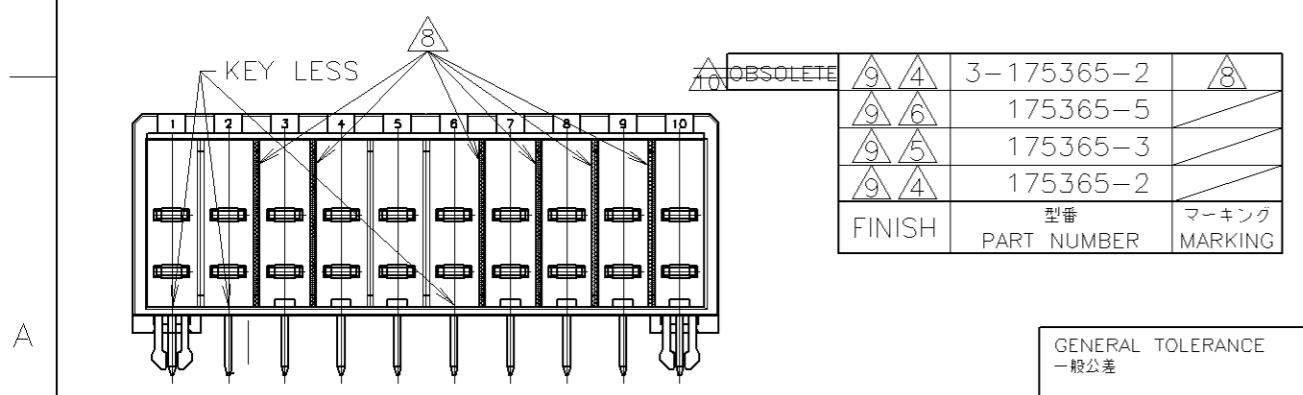
1

THIS DRAWING IS UNPUBLISHED. RELEASED FOR PUBLICATION MAR .1992.
 © COPYRIGHT 1992 By - ALL RIGHTS RESERVED.

LOC	DIST	REVISIONS					
J		P	LTR	DESCRIPTION	DATE	DWN	APVD
		G3		REVISED PER ECR-11-024209	30NOV11	H.U	N.Y



- | | |
|---|--|
| 1 材料; 熱可塑性ポリエステル樹脂(ガラス入り)
色; 黒 | 1 MATERIAL; GLASS FIELD THERMO PLASTIC, POLYESTER.
COLOR; BLACK |
| 2 製品規格; 108-5349 | 2 PRODUCT SPEC; 108-5349 |
| 3 製品認定報告書; 501-5013 | 3 QUALIFICATION TEST REPORT; 501-5013 |
| ④ 接触部仕上; ニッケル下地0.38μMIN.金めっき | ④ FINISH (CONTACT AREA); 0.38u MIN. GOLD PLT. OVER NICKEL. |
| ⑤ 接触部仕上; ニッケル下地0.76μMIN.金めっき | ⑤ FINISH (CONTACT AREA); 0.76u MIN. GOLD PLT. OVER NICKEL. |
| ⑥ 接触部仕上; ニッケル下地2.0μMIN.すすめっき | ⑥ FINISH (CONTACT); 2.0u MIN. TIN PLT. OVER NICKEL. |
| ⑦ レグおよび脚部仕上; ニッケル下地半田めっき | ⑦ FINISH (RETENTION LEG AND CONTACT TAIL);
TIN-LEAD-PLT. OVER NICKEL. |
| ⑧ 6箇所マーキング、白 | ⑧ 6 PLACES MARKING, WHITE |
| ⑨ レグおよび脚部仕上; ニッケル下地すすめっき | ⑨ FINISH (RETENTION LEG AND CONTACT TAIL); TIN PLT. OVER NICKEL. |
| ⑩ OBSOLETE PARTS: OBSOLETE CIS STREAMLINING PER D.RENAUD/D.SINISI | |



3-175365-2 のみ
ONLY 3-175365-2

GENERAL TOLERANCE
一般公差
10 ≥ : ±0.2
30 ≥ > 10: ±0.25
100 ≥ > 30: ±0.3
ANGLES: ±3°

THIS DRAWING IS A CONTROLLED DOCUMENT.		DWN	18MAR1992	TE Connectivity	
		CHK	07APR1992		
DIMENSIONS: 単位: 耗 mm		S.MANABE		NAME 名称	
TOLERANCES UNLESS OTHERWISE SPECIFIED: 一般公差		S.MANABE		DYNAMIC D-3500 20 POS HDR ASSY	
0 PLC ± -		APVD		SIZE	
1 PLC ± -		07APR1992		CAGE CODE	
2 PLC ± -		PRODUCT SPEC		DRAWING NO	
3 PLC ± -		製品規格		番号	
4 PLC ± -		APPLICATION SPEC		A300779	
ANGLES ± -		取付適用規格		C-175365	
MATERIAL 材料		WEIGHT		RESTRICTED TO	
SEE NOTE 注記参照		CUSTOMER DRAWING		-	
		SCALE 尺度 2:1		SHEET 1 of 1	
				REV G3	