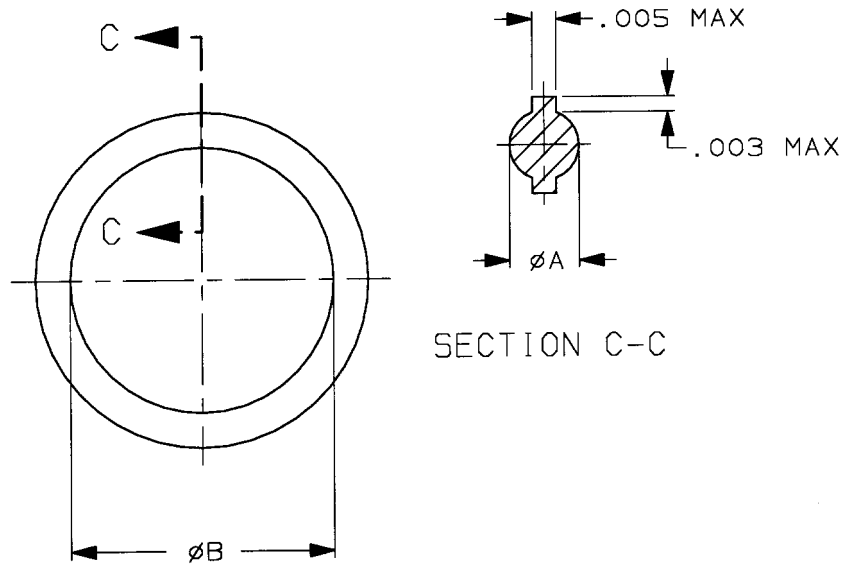


1. PART NUMBER AND CHARACTERISTICS



TE Part No	Rev	A	B	Mfr Part No
21084-1	G	.103±.003	.799±.010	2-117 N0674-70
21084-2	G	.103±.003	.862±.010	2-118 N0674-70
21084-3	G	.103±.003	.924±.010	2-119 N0674-70
21084-4	G	.103±.003	.987±.010	2-120 N0674-70
21084-5	G	.103±.003	1.049±.010	2-121 N0674-70
21084-6	G	.103±.003	1.112±.010	2-122 N0674-70
21084-7	G	.103±.003	1.174±.012	2-123 N0674-70
21084-8	G	.103±.003	1.237±.012	2-124 N0674-70
21084-9	G	.103±.003	1.299±.012	2-125 N0674-70
1-21084-0	G	.103±.003	1.362±.012	2-126 N0674-70
1-21084-1	G	.103±.003	1.424±.012	2-127 N0674-70
1-21084-2	G	.103±.003	1.487±.012	2-128 N0674-70
1-21084-3	G	.103±.003	1.549±.015	2-129 N0674-70
1-21084-4	G	.103±.003	1.612±.015	2-130 N0674-70
1-21084-5	G	.103±.003	1.674±.015	2-131 N0674-70
1-21084-6	G	.103±.003	1.737±.015	2-132 N0674-70
1-21084-7	G	.103±.003	1.799±.015	2-133 N0674-70
1-21084-8	G	.103±.003	1.862±.015	2-134 N0674-70
1-21084-9	G	.103±.003	1.925±.017	2-135 N0674-70
2-21084-0	G	.103±.003	1.987±.017	2-136 N0674-70

**COMMERCIALLY
PURCHASED PRODUCT
SPECIFICATION**

LOC B	MATERIAL See Note 1.1.	FINISH ----
-----------------	---------------------------	----------------



© 2014 TE Connectivity Ltd. family of companies
All Rights Reserved

S	Add -82	JNB	27JAN14	DIMENSIONS IN INCHES	TITLE O-RING
				SHEET 1 OF 3	
REV	ENGINEERING CHANGE	CHK	DATE		

1. PART NUMBER AND CHARACTERISTICS (Continued)

TE Part No	Rev	A	B	Mfr Part No
2-21084-1	G	.103±.003	2.050±.017	2-137 N0674-70
2-21084-2	G	.103±.003	2.112±.017	2-138 N0674-70
2-21084-3	G	.103±.003	2.175±.017	2-139 N0674-70
2-21084-4	G	.103±.003	2.237±.017	2-140 N0674-70
2-21084-5	G	.103±.003	2.300±.020	2-141 N0674-70
2-21084-6	G	.103±.003	2.362±.020	2-142 N0674-70
2-21084-7	G	.103±.003	2.425±.020	2-143 N0674-70
2-21084-8	G	.103±.003	2.487±.020	2-144 N0674-70
2-21084-9	G	.103±.003	2.550±.020	2-145 N0674-70
3-21084-0	G	.103±.003	2.612±.020	2-146 N0674-70
3-21084-1	G	.103±.003	2.675±.022	2-147 N0674-70
3-21084-2	G	.103±.003	2.737±.022	2-148 N0674-70
3-21084-3	G	.103±.003	2.800±.022	2-149 N0674-70
3-21084-4	G	.103±.003	2.862±.022	2-150 N0674-70
3-21084-5	G	.103±.003	2.987±.024	2-151 N0674-70
3-21084-6	G	.103±.003	3.237±.024	2-152 N0674-70
3-21084-7	G	.103±.003	3.487±.024	2-153 N0674-70
3-21084-8	G	.103±.003	3.737±.028	2-154 N0674-70
3-21084-9	G	.103±.003	3.987±.028	2-155 N0674-70
4-21084-0	G	.103±.003	4.237±.030	2-156 N0674-70
4-21084-1	G	.103±.003	4.487±.030	2-157 N0674-70
4-21084-2	G	.103±.003	4.737±.030	2-158 N0674-70
4-21084-3	G	.103±.003	4.987±.035	2-159 N0674-70
4-21084-4	G	.103±.003	5.237±.035	2-160 N0674-70
4-21084-5	G	.103±.003	5.487±.035	2-161 N0674-70
4-21084-6	G	.103±.003	5.737±.035	2-162 N0674-70
4-21084-7	G	.103±.003	5.987±.035	2-163 N0674-70
4-21084-8	G	.103±.003	.362±.005	2-110 N0674-70
4-21084-9	G	.103±.003	.424±.005	2-111 N0674-70
5-21084-0	G	.103±.003	.487±.005	2-112 N0674-70
5-21084-1	G	.103±.003	.549±.007	2-113 N0674-70
5-21084-2	G	.103±.003	.612±.009	2-114 N0674-70
5-21084-3	G	.103±.003	.674±.009	2-115 N0674-70
5-21084-4	G	.103±.003	.737±.009	2-116 N0674-70
5-21084-5	G	.103±.003	.237±.005	2-108 N0674-70
5-21084-6	G	.070±.003	.176±.005	2-008 N0674-70
5-21084-7	G	.050±.003	.128±.005	5-103 N0674-70
5-21084-8	G	.070±.003	.132±.005	5-190 N0674-70
5-21084-9	G	.036±.003	.070±.005	5-187 N0674-70
6-21084-0	G	.070±.003	.301±.005	2-011 N0674-70
6-21084-1	G	.070±.003	.101±.005	2-005 N0674-70
6-21084-2	G	.070±.003	.070±.005	2-004 N0674-70
6-21084-3	G	.038±.003	.100±.005	5-101 N0674-70
6-21084-4	G	.139±.004	8.234±.050	2-267 N0674-70
6-21084-5	G	.139±.004	10.484±.055	2-275 N0674-70



1. PART NUMBER AND CHARACTERISTICS (Continued)

TE Part No	Rev	A	B	Mfr Part No
6-21084-6	G	.070±.003	.489±.005	2-014 N0674-70
6-21084-7	H	.070±.003	.239±.005	2-010 N0674-70
6-21084-8	H	.070±.003	1.489±.013	2-029 N0674-70
6-21084-9	H	.103±.003	.206±.005	2-107 N0674-70
7-21084-0	J	.210±.005	.475±.005	2-310 N0674-70
7-21084-1	K	.210±.005	3.100±.024	2-338 N0674-70
7-21084-2	L	.070±.003	.864±.009	2-020 N0674-70
7-21084-3	M	.070±.003	.551±.007	2-015 N0674-70
7-21084-4	M	.070±.003	1.114±.010	2-024 N0674-70
7-21084-5	N	.103±.003	.299±.005	2-109 N0674-70
7-21084-6	N	.139±.004	.984±.010	2-214 N0674-70
7-21084-7	N	.139±.004	1.859±.018	2-225 N0674-70
7-21084-8	N	.139±.004	4.859±.035	2-249 N0674-70
7-21084-9	P	.070±.003	.114±.005	2-006 N0674-70
8-21084-0	R	.070±.003	.676±.009	2-017 N0674-70
8-21084-1	R	.070±.003	.801±.009	2-019 N0674-70
8-21084-2	S	.070±.003	.989±.010	2-022 N0674-70

- 1.1. Material: Nitrile (Buna N) per Parker compound N0674-70, black
- 1.2. Hardness rating: 70±5 Durometer Shore A
- 1.3. Temperature range: -30° to 250°F continuous service
2. MANUFACTURER
Parker-Hannifin Corporation, Seal Division
www.parker.com

