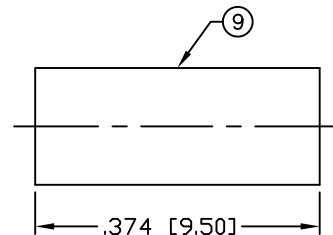
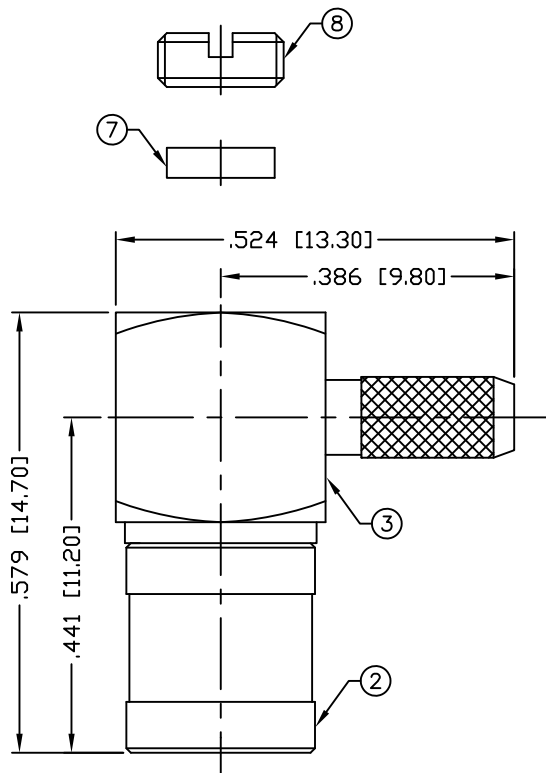


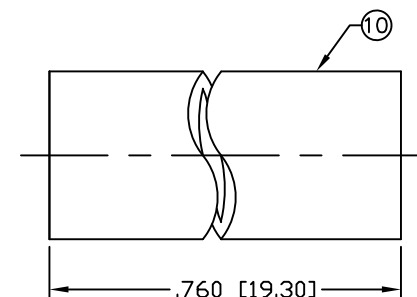
PART NO.

RSB-4010-1B1

REV	DESCRIPTION	DWN	DATE	APPROVED
-	ENGINEERING RELEASE	CZS	10/10/13	JDMc

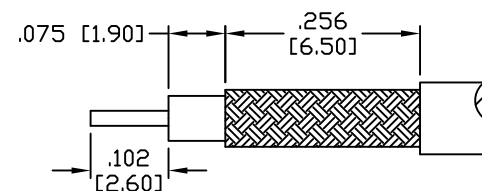


RECOMMENDED CRIMP SIZE: .130"

**SPECIFICATIONS:**

IMPEDANCE: 50 Ohms
 FREQUENCY RANGE: 0-4 GHz
 WORKING VOLTAGE: 335 V rms Max. @ Sea Level
 CONTACT RESISTANCE: ≤ 6 m Ohm
 INSULATION RESISTANCE: 1k M Ohms min.
 TEMPERATURE RANGE: -65°C TO 165°C
 FOR RG-316/U DOUBLE SHIELD CABLE

NOTE: ATTACH CABLE TO CONNECTOR BY SOLDERING THE CABLE INNER CONDUCTOR TO THE CONTACT SLOT INSIDE THE CONNECTOR



RECOMMENDED STRIPPING DIMENSIONS

10	TUBING	1	HEAT SHRINK	---
9	FERRULE	1	BRASS	GOLD, 3 μ "
8	COVER	1	BRASS	GOLD, 3 μ "
7	INSULATOR	1	PE	---
6	RETAINING RING	1	Be.Cu.	---
5	CONTACT	1	Be.Cu.	GOLD, 30 μ "
4	INSULATOR	1	PTFE	---
3	BODY	1	BRASS	GOLD, 3 μ "
2	PRESS BODY	1	BRASS	GOLD, 3 μ "
1	COUPLING NUT	1	BRASS	GOLD, 3 μ "
#	DESCRIPTION	QTY	MATERIAL	FINISH

CUSTOMER
OUTLINE DRAWINGALL DIMENSIONS
ARE REFERENCE ONLYUNLESS OTHERWISE SPECIFIED:
DIMENSIONS ARE IN INCHES
AND [MILLIMETERS]

DRAWN

C. ZUNIGA 10/10/13

CHECKED

ORJ DRAWN

C. ZUNIGA 3/21/03

RoHS
COMPLIANT

PROPRIETARY AND CONFIDENTIAL
THIS DRAWING CONTAINS
INFORMATION PROPRIETARY TO
RF INDUSTRIES, ANY
UNAUTHORIZED USE OF THIS
DRAWING IS EXPRESSLY
PROHIBITED WITHOUT WRITTEN
PERMISSION FROM RF
INDUSTRIES. ANY VIOLATION IS
PUNISHABLE UNDER U.S.
COPYRIGHT LAWS.

RFconnectors
DIVISION OF RF INDUSTRIES, LTD. (858) 549-6345 FAX

7610 MIRAMAR RD.
SAN DIEGO, CA 92126
(858) 549-6340

SMB PLUG, CRIMP
RIGHT ANGLE

SIZE	CABLE GROUP	DWG NO.	REV
A	B1	RSB-4010-1B1	—
SCALE: NTS	ENGINEERING ID: 1808	SHEET 1 OF 1	